

Service Mitteilung / Service Bulletin

Ihr Zeichen/Your reference Tel./Phone: +49 (7681) 2000-550 Fax: +49 (7681) 2000-7550 Email: Frieder.rehm@mack-rides.com	Unsere Kontaktdaten/Our contact details Frieder Rehm	Datum/Date 2014-07-10
---	--	---------------------------------

Information Nr. / Bulletin No.:	Redundant Spiral Spring - 001
Datum der Information / Date of information:	10th July 2014
Gültig ab / Valid from:	10th July 2014
Ersetzt / Replaced:	---
Enddatum / Finish date:	---

Hersteller / Manufacturer:	Mack Rides GmbH & Co KG
Anlagenname / Ride name:	Locking of Single Lap Bar
Betroffene Produktionstermine: Affected production dates:	
Modell Nummer / Model number:	5608 – Powered Coaster

Abstract of issue:

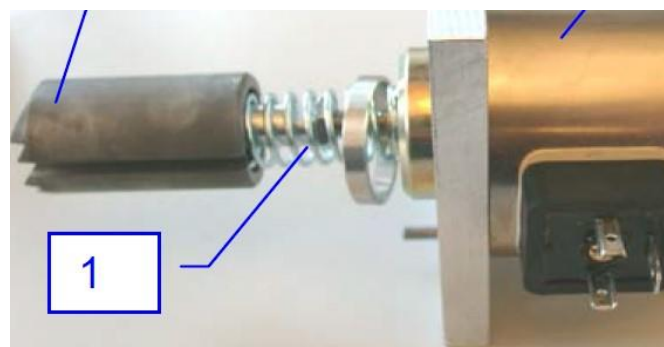
Exchange of current spiral spring

Reason for modification:

Realization of redundancy by use of 2 spiral springs.

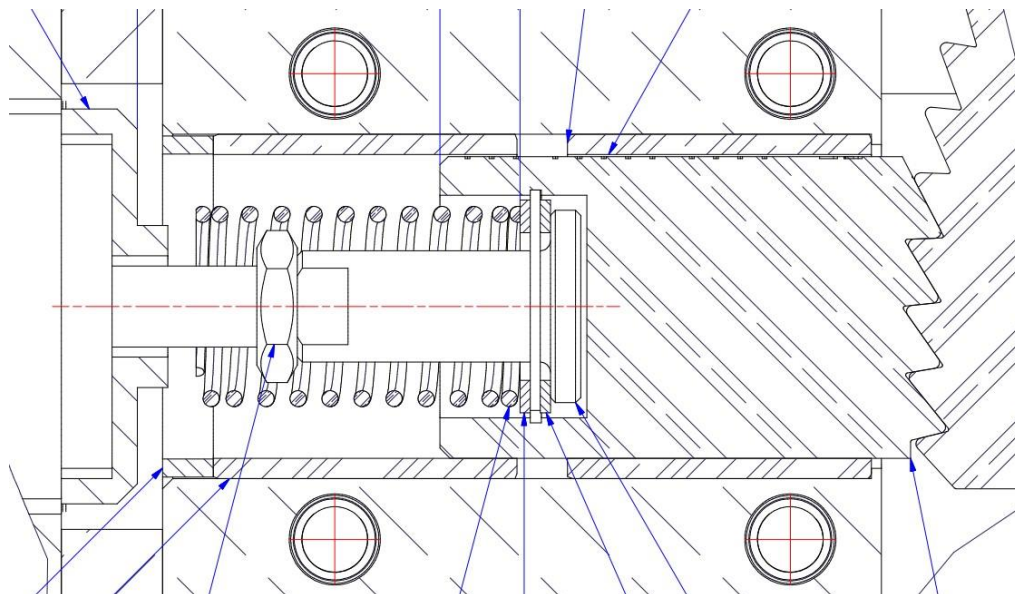
Measures to be taken:

(e.g. inspection, modification, replacement, NDT, spare parts order, manual revision, procedural change etc.)
 The current single spiral spring (1) is to be exchanged and replaced by a pair of 2 spiral springs.

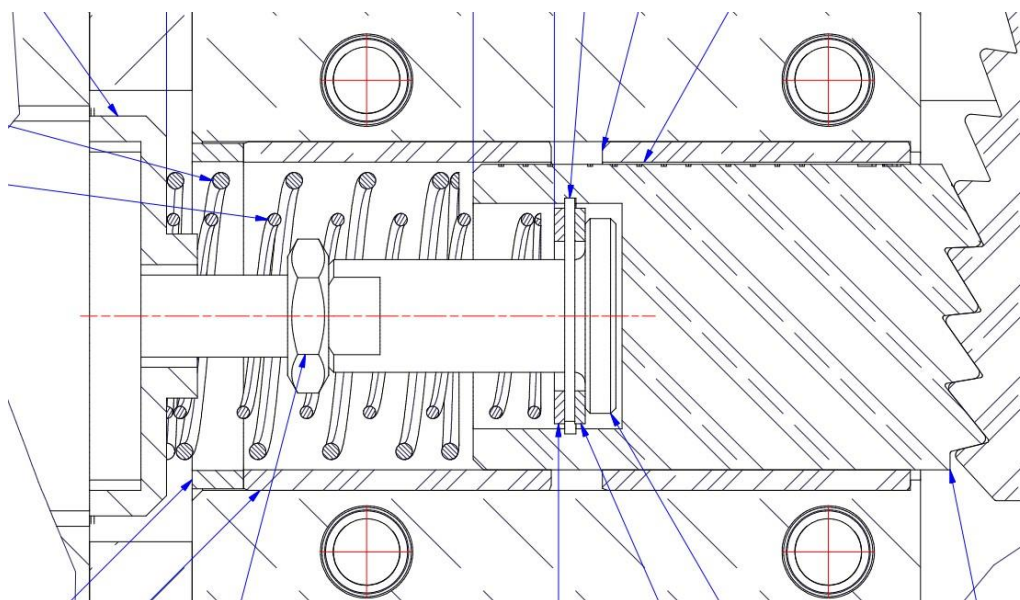


Detailed description:

Within reasonable time frame the existing single spiral spring, as shown below,



is to be replaced by a set of 2 spiral springs, provided by Mack Rides, as shown below:



Replacement and setting as per the directives described in the existing ride manual, chapter 6.

Mack Rides GmbH & Co KG

i. A. 

Frieder Rehm
Head of Mack Services

