



A.R.M., (USA), INC
 1506 Fernwood Rd.
 Wintersville, OH 43953
 740.264.6599
 740.266.2953 Fax

Bulletin No: N031714
Release Date: March 17, 2014
Effective Date: Immediate
Supercedes: N/A
Completion Date: Immediate
Page: 1 of 1

SERVICE BULLETIN

Manufacturer: A.R.M. (USA), Inc.
 Ride Name: Fixed-Site Super Shot

Model(s): 1002 & 1003
 Production Dates: Prior To March, 2014

AFFECTED SERIAL NUMBERS

SSPK102
 SSPK103
 SSPK104
 SSPK105
 SSPK106
 SSPK107
 SSPK109
 SSPK111
 SSPK112
 SSPK113
 SSPK114
 SSPK117
 SSPK118
 SSPK119

ABSTRACT OF ISSUE

Immediate inspection of oil level in the auxiliary hoist unit rope drum and addition of oil if required.

REASON FOR RELEASE

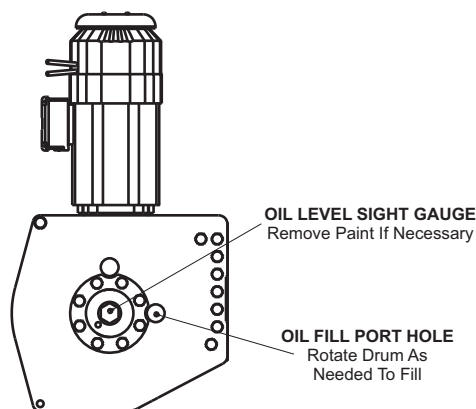
A.R.M. (USA), Inc. has become aware that certain auxiliary hoist units were supplied from the manufacturer without adequate amount of oil in the drum. Additionally, some units were supplied with the oil level inspection glass covered with paint.

ACTION TO BE TAKEN

If the oil level inspection glass has been painted, it must first be cleaned for inspection. The oil reservoir must then be inspected and filled to appropriate level according to the manufacturer manual. Total oil capacity is approximately 7 pints. Manufacturer recommended oil is Mobilgear SHC 629 or 630 synthetic gear oil or equivalent

DETAIL OF ISSUE

1. Remove paint or debris from oil level sight gauge.
2. Rotate drum so fill port aligns with the indicated hole in the frame.
3. Check/fill oil level as specified in the Auxiliary Hoist Owner's Manual.



NOTICE

ONLY COMPONENTS SPECIFIED, AUTHORIZED, OR PROVIDED BY A.R.M. (USA), INC. SHALL BE USED. A.R.M. (USA) INC. SPECIFICALLY DISCLAIMS ANY LIABILITY ASSOCIATED WITH THE USE OF UNAUTHORIZED COMPONENTS OR MODIFICATIONS AND/OR ALTERATIONS OF AUTHORIZED COMPONENTS.