



NUMBER: B403R1135-0

DATE: AUG. 20, 1993

SUPERSEDES:

SERVICE BULLETIN

Effective Serial Number: 40300191 through 40301392 and
40301592 through 40302093

Ride: 28' CARROUSEL

Subject: RIDE INFORMATION PLATE

Chance Rides, Inc. has become aware that some of the weights shown on the ride information plate for the above noted 28' CARROUSEL amusement rides are incorrect.

Chance Rides, Inc. requires all owner/operators of the above noted rides to order and install the ride information plate per the installation instructions found on this bulletin. When ordering the new ride information plate, identify serial number from present ride information plate. New ride information plates are now available at no charge, if ordered and the old ride information plate returned to Chance Rides, Inc. within 90 days of the date on this bulletin.

ORDER THE FOLLOWING PARTS:

Quantity 1 Ride Information Plate, Part Number 25343000

Quantity 4 Rivets, Part Number 66143000

All work must be performed by qualified personnel, capable of understanding the function of the parts and their proper installation.

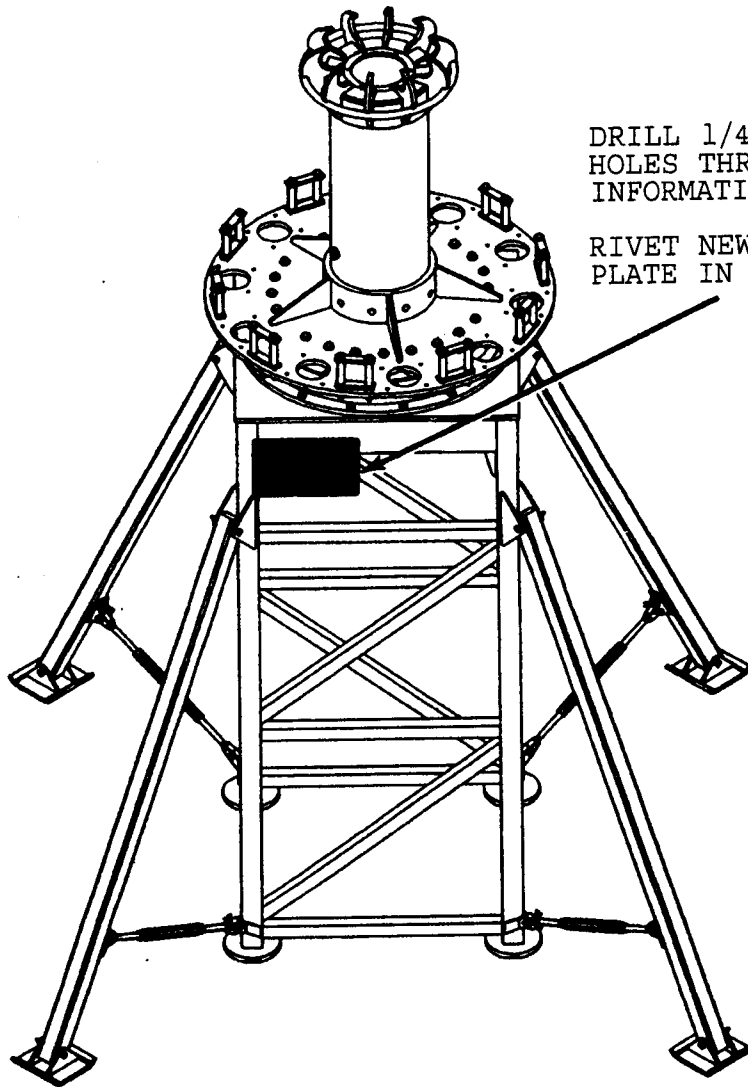
NOTICE

Use only those components authorized, specified or provided by Chance Rides, Inc.

Chance Rides, Inc. SPECIFICALLY DISCLAIMS ANY LIABILITY for losses associated with any unauthorized alterations and/or modifications or additions and installations of unauthorized components.

INSTALLATION INSTRUCTIONS

1. Remove old ride information plate by drilling out rivets holding ride information plate in place, using a drill motor with a 1/4 inch drill bit.
2. Using the old ride information plate as a template, drill 1/4 inch diameter holes in the new plate to match the existing holes in the old plate.
3. Pop rivet the new plate in place using the rivets supplied with the plate.



DRILL 1/4" DIAMETER
HOLES THROUGH NEW RIDE
INFORMATION PLATE.

RIVET NEW RIDE INFORMATION
PLATE IN PLACE.