



NUMBER: B404R1115-0

DATE: DEC. 4, 1992

SUPERSEDES:

SERVICE BULLETIN

Effective Serial Number: 403-00191 thru 403-01292
404-00192 thru 404-00492
405-00192 thru 405-00292

Ride: 28' CARROUSEL w/Pedestal Subject: Horse Step Shield
36' CARROUSEL w/Pedestal Installation
50' CARROUSEL w/Pedestal

Chance Rides, Inc. has become aware that a possible pinch point exists between the horse step and the horse pedestal on the CARROUSEL amusement rides listed above. Chance Rides, Inc. has developed a kit that when properly installed will shield the horse pedestal.

Chance Rides, Inc. requires all owners of the above listed CARROUSELS to order the specific horse step shield kit, as defined below. Follow the installation instructions in this bulletin and return the Certification Of Compliance within 15 days from receipt of kit. Each kit contains all necessary parts to rework the ride for which the particular kit is intended. Kits are available at no charge if ordered within 90 days of the date on this bulletin.

Kit number K403R1115-0 (28' CARROUSEL)

<u>Item No.</u>	<u>Part Number</u>	<u>Description</u>	<u>Quantity Required</u>
1	36675000	Shield	18
2	66408000	1/2 Self-tap #10 Screw	108
3	68529800	3/16 SAE Washer	108

Kit number K404R1115-0 (36' CARROUSEL)

<u>Item No.</u>	<u>Number</u>	<u>Description</u>	<u>Quantity Required</u>
1	36675000	Shield	30
2	66408000	1/2 Self-tap #10 Screw	180
3	68529800	3/16 SAE Washer	180

Kit number K405R1115-0 (50' CARROUSEL)

<u>Item No.</u>	<u>Part Number</u>	<u>Description</u>	<u>Quantity Required</u>
1	36675000	Shield	60
2	66408000	1/2 Self-tap #10 Screw	360
3	68529800	3/16 SAE Washer	360

All work must be performed by qualified personnel, capable of understanding the function of the parts and their proper installation.

NOTICE

Use only those components authorized, specified or provided by Chance Rides Inc.

Chance Rides, Inc. SPECIFICALLY DISCLAIMS MY LIABILITY for losses associated with any unauthorized alterations and/or modifications or additions and installations of unauthorized components.

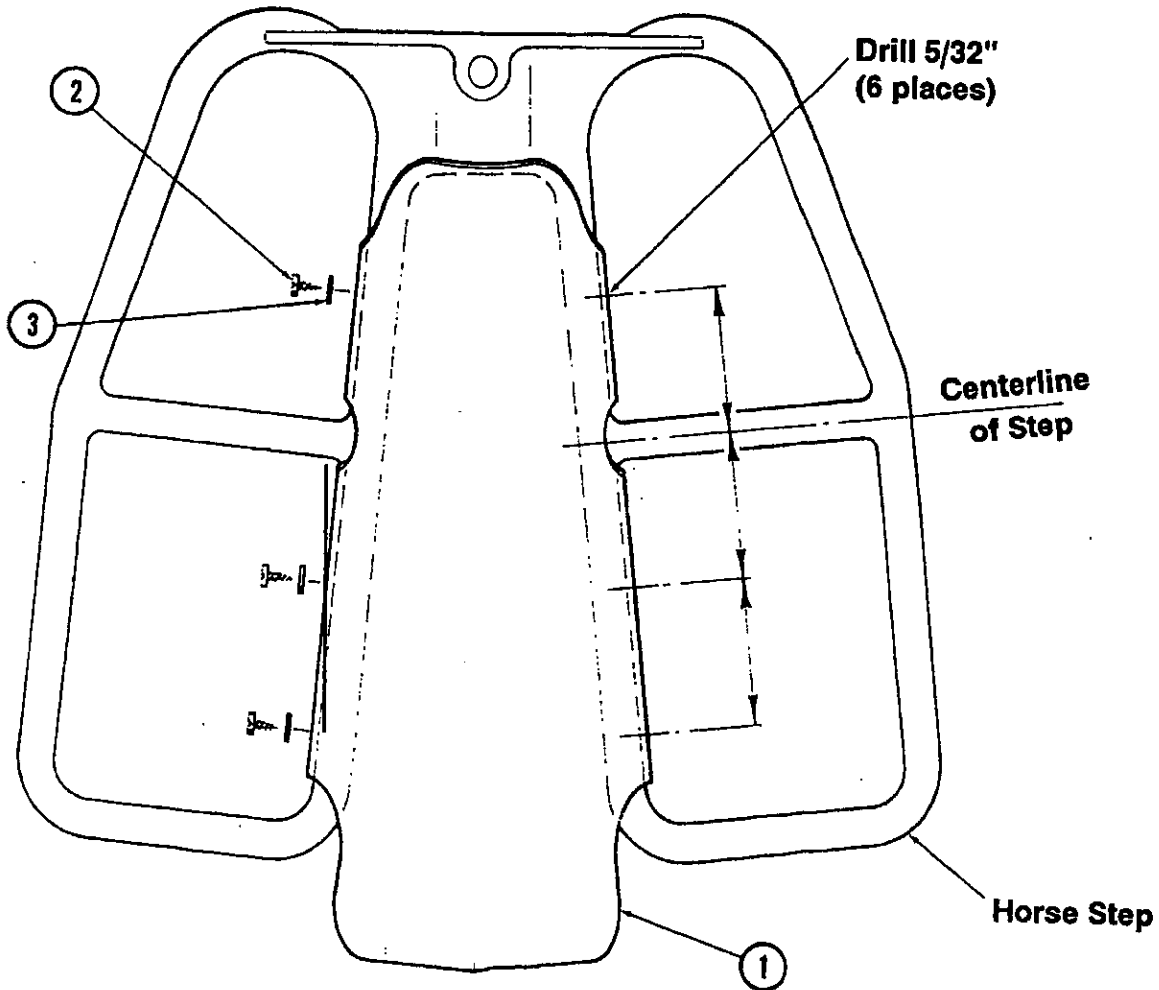


ILLUSTRATION A

INSTALLATION INSTRUCTIONS

1. Align the shield on the back side of the horse steps as shown in Illustration B.
2. Using a 5/32 inch drill bit, drill 6 holes into the horse step to a depth of 1/2 inch as shown in Illustration A, use shield as template.
3. Attach the shield (Item 1) to the horse step with 6 SAE washers (Item 3) and 6 #10 self-tapping screws (Item 2).

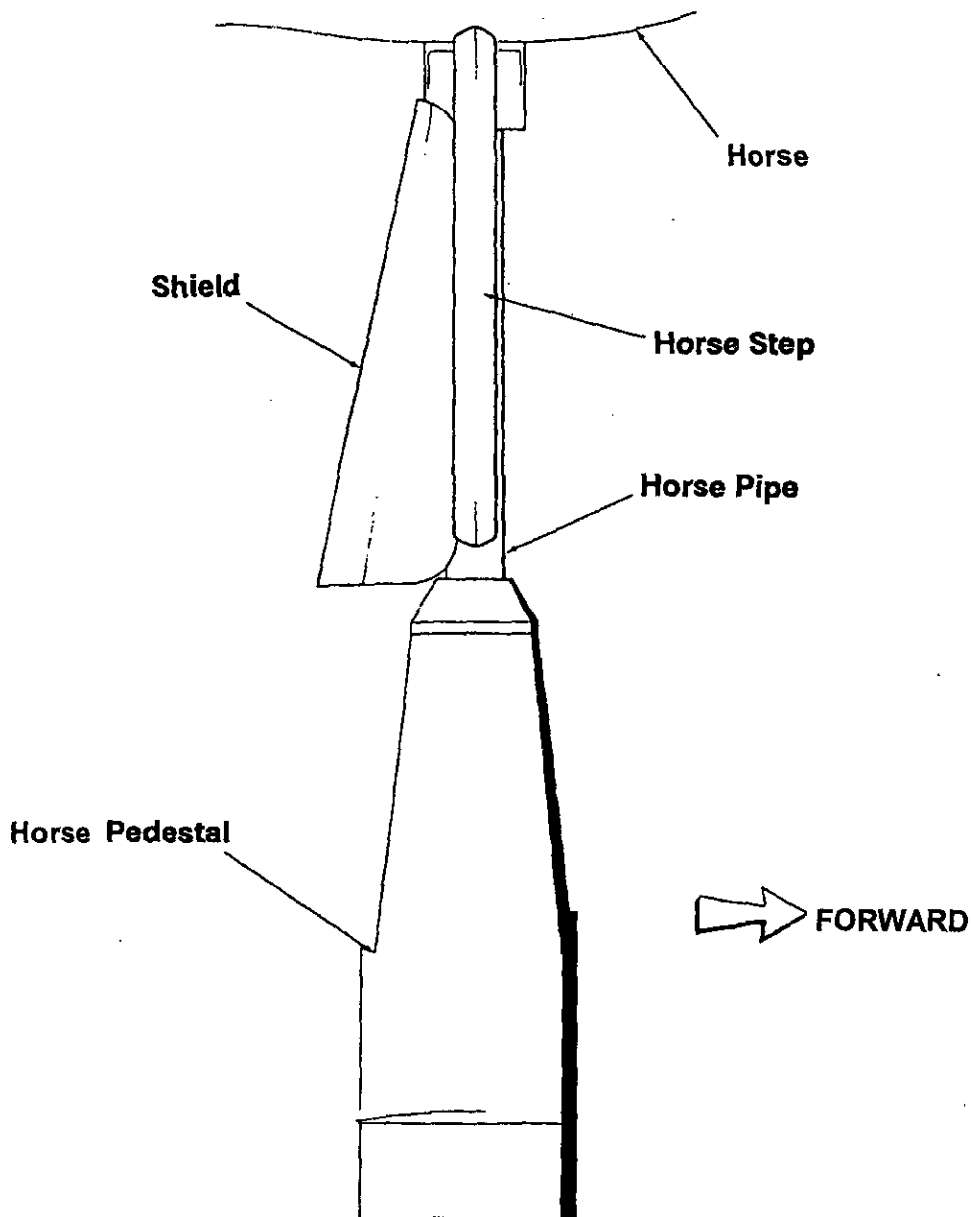


ILLUSTRATION B



NUMBER: B403R1135-0

DATE: AUG. 20, 1993

SUPERSEDES:

SERVICE BULLETIN

Effective Serial Number: 40300191 through 40301392 and
40301592 through 40302093

Ride: 28' CARROUSEL

Subject: RIDE INFORMATION PLATE

Chance Rides, Inc. has become aware that some of the weights shown on the ride information plate for the above noted 28' CARROUSEL amusement rides are incorrect.

Chance Rides, Inc. requires all owner/operators of the above noted rides to order and install the ride information plate per the installation instructions found on this bulletin. When ordering the new ride information plate, identify serial number from present ride information plate. New ride information plates are now available at no charge, if ordered and the old ride information plate returned to Chance Rides, Inc. within 90 days of the date on this bulletin.

ORDER THE FOLLOWING PARTS:

Quantity 1 Ride Information Plate, Part Number 25343000

Quantity 4 Rivets, Part Number 66143000

All work must be performed by qualified personnel, capable of understanding the function of the parts and their proper installation.

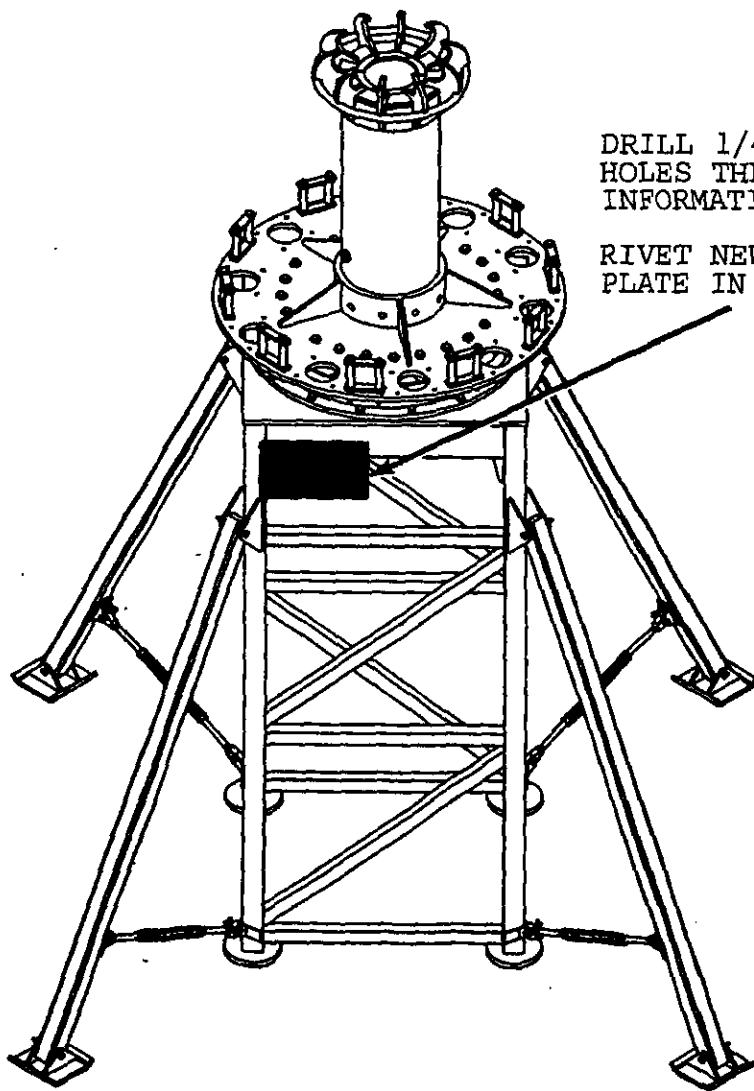
NOTICE

Use only those components authorized, specified or provided by Chance Rides, Inc.

Chance Rides, Inc. SPECIFICALLY DISCLAIMS ANY LIABILITY for losses associated with any unauthorized alterations and/or modifications or additions and installations of unauthorized components.

INSTALLATION INSTRUCTIONS

1. Remove old ride information plate by drilling out rivets holding ride information plate in place, using a drill motor with a 1/4 inch drill bit.
2. Using the old ride information plate as a template, drill 1/4 inch diameter holes in the new plate to match the existing holes in the old plate.
3. Pop rivet the new plate in place using the rivets supplied with the plate.



DRILL 1/4" DIAMETER
HOLES THROUGH NEW RIDE
INFORMATION PLATE.

RIVET NEW RIDE INFORMATION
PLATE IN PLACE.



NUMBER: B404R1136-0

DATE: AUG. 20, 1993

SUPERSEDES:

SERVICE BULLETIN

Effective Serial Number: All Units - Chance Rides, Inc.
(Except 389-01086 through 38903092)

All Units - Chance Manufacturing Co., Inc.
(except 73-2815; 76-2843; 78-2853; 78-2855;
79-2860 and 81-4806 through 85-4809)

Chance Rides, Inc. SPECIFICALLY DISCLAIMS ANY
LIABILITY for losses associated with rides
produced by Chance Manufacturing Company, Inc.

Ride: 28' CARROUSEL
36' CARROUSEL
50' CARROUSEL

Subject: HORSE HOOK

Chance Rides, Inc. has designed a new style horse hook which is being used on all current production model CARROUSEL amusement rides. This hook will also be used as a replacement part for all CARROUSELS listed above. To determine when a horse hook must be replaced, refer to Chance Rides, Inc. Service Bulletin number B389R1068-A or the CARROUSEL owner/operator's manual.

The new style horse hook is an investment casting which can be identified by the two vertical slits on the hook base which allows it to clamp around the horse pole. This new horse hook is held to the horse pole by a hex head capscrew and locknut as opposed to a rivet, as used with the old style horse hook.

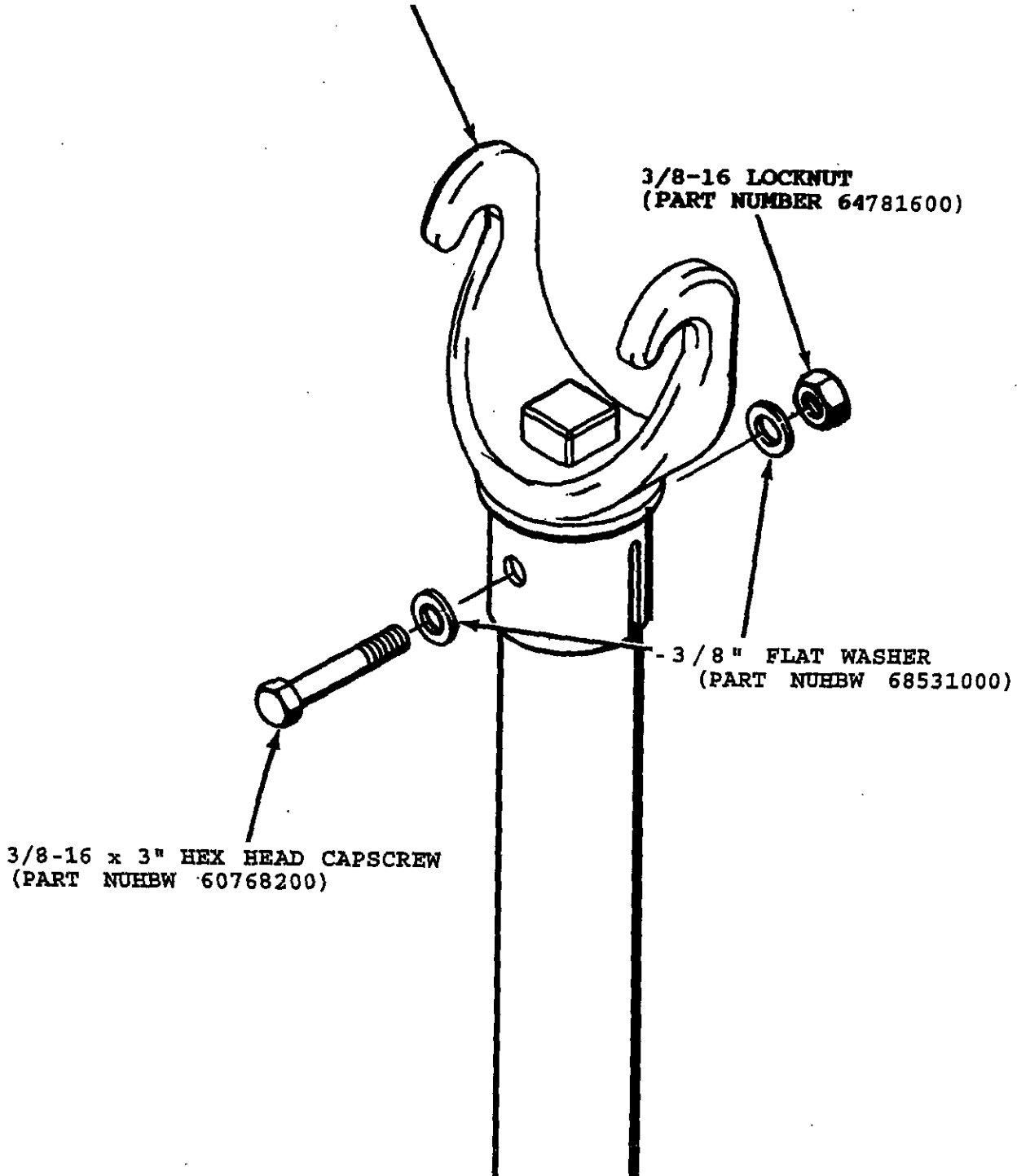
NOTE: Since horse hooks wear independently of each other, they may be replaced individually. Chance Rides, Inc. requires only those hooks not meeting the manufacturer's specifications be replaced at any one time. Therefore, it is acceptable for both the new style and the old style horse hook being utilized on the same unit at the same time.

REPLACEMENT HOOK FOR 28' CARROUSEL WITH
SERIAL NUMBER 403-00191 AND ON
(PART NUMBER 21445500)

REPLACEMENT HOOK FOR 36' CARROUSEL WITH
SERIAL NUMBER 404-00192 AND ON
(PART NUMBER 21445500)

REPLACEMENT HOOK FOR 50' CARROUSEL WITH
SERIAL NUMBER 405-00191 AND ON
(PART NUMBER 21445500)

REPLACEMENT HOOK FOR ALL OTHER CARROUSELS
LISTED ON THE FRONT OF THIS BULLETIN
(PART NUMBER 33424000)





NUMBER: P403R1176-0

DATE: April 4, 1997

SUPERSEDES:

PRODUCT IMPROVEMENT NOTICE

Effective Serial Number: All Units

Ride: 28-FOOT CARROUSEL (Model 403) Subject: Preventive Maintenance
36-FOOT CARROUSEL (Model 404)
50-FOOT CARROUSEL (Model 405)

Chance Rides, Inc. has revised the maintenance schedule for 28-FOOT CARROUSELS (Model 403), 36-FOOT CARROUSELS (Model 404), and 50-FOOT CARROUSELS (Model 405). The new schedule is based on monthly intervals for these amusement rides. Performing the same service every month will help ensure proper maintenance of every component.

To aid in keeping track of scheduled maintenance, a decal has been developed. Space is provided on the decal for the actual dates when maintenance is performed, which can be recorded with a grease pencil or ballpoint pen.

The preventive maintenance decal is available for 90 days from the date of this bulletin at no charge to owners of these ride. We recommend this decal be applied to the door of the main electrical control box. Order the following part numbers as required:

403-564-001 MAINTENANCE DECAL for 28- and 36-FOOT CARROUSELS
405-564-001 MAINTENANCE DECAL for 50-FOOT CARROUSELS

In addition to the decal, a new publication, CARROUSEL MAINTENANCE TIPS is now available. This booklet is an overview of common maintenance procedures for 28-, 36- and 50-Foot Carrouseles, and is intended to supplement the information in the applicable service manual.

CARROUSEL MAINTENANCE TIPS is also available for 90 days from the date of this bulletin at no charge to owners of these rides. Order part number 24364000.

NOTICE

Use only those components authorized, specified or provided by Chance Rides, Inc.

Chance Rides, Inc. SPECIFICALLY DISCLAIMS ANY LIABILITY for losses associated with any unauthorized alterations and/or modifications or additions and installations of unauthorized components.

1. Measure the distance between the hooks as shown in Illustration A. The dimension must be within the specified limits. Report any variations to the Chance Rides Customer Service Department. These hooks may face either inward or outward when attached to the crankshaft.



WARNING: DO NOT HEAT THE HORSE HANGER HOOK TO STRAIGHTEN IT.

2. Inspect for excessive wear on top of the horse hanger bearing ears and the underside of the horse hanger hook Item 1 of Illustration C. Wear at this point increases the gap between safety stops (Item 2 and 3 of Illustration C). This gap should not exceed 3/16". Any gap larger than 3/16" will allow the hook to come off the bearing during operation.

Using a piece of bar 3/16" thick, check the gap between each of the safety stops, if the bar passes easily through the gap, the hanger bearings should be replaced. Inspect horse hanger hook and replace if excessive wear is evident.

3. Inspect for excessive wear between horse hook, horse pole, and connecting rivet (Item 4, illustration C). Maximum allowable upward and downward movement of horse hook on horse pole is 1/8 inch.
4. All horse pipes furnished by Chance Rides, Inc. have a 1/8 x 45 degree chamfer on the bottom (Item 5, Illustration C). The telescope pipes have a 3/16" x 30 degree chamfer on the top (Item 6, Illustration B). These are to prevent the two pipes cutting into one another and jamming. Any replacement pipes must also be chamfered.
5. The lower casting on the telescope (Item 7, Illustration B) and the upper casting on the floor lock should be inspected for wear or damage. Excessive wear could result in release of the telescope from the floor lock. Parts which allow easy locking or unlocking are worn and should be replaced.
6. Visually inspect crankshaft throw castings for indications of cracks (Illustration E). If indications are found, contact Chance Rides, Inc. DO NOT ATTEMPT TO WELD OR REPAIR THROWS. DO NOT OPERATE RIDE UNTIL APPROVED REPAIR IS COMPLETE.

All work must be performed by qualified personnel, capable of understanding the function of the parts and their proper installation.

NOTICE

Use only those components authorized, specified or provided by Chance Rides, Inc.

Chance Rides, Inc. SPECIFICALLY DISCLAIMS MY LIABILITY for losses associated with any unauthorized alterations and/or modifications or additions and installations of unauthorized components.

NOTE: BOTTOM CASTING EARS AND MATING EARS ON TELESCOPE LOCK SHOULD BE CHECKED FOR EXCESSIVE WEAR WHICH COULD CAUSE THE TELESCOPE TO DISENGAGE FROM THE LOCK.

NOTE: TOP OF TELESCOPE PIPE MUST BE TAPERED AS SHOWN TO PREVENT A SHARP EDGE FROM CUTTING INTO HORSEPIPE RESULTING IN A JAM BETWEEN THE TWO PIPES

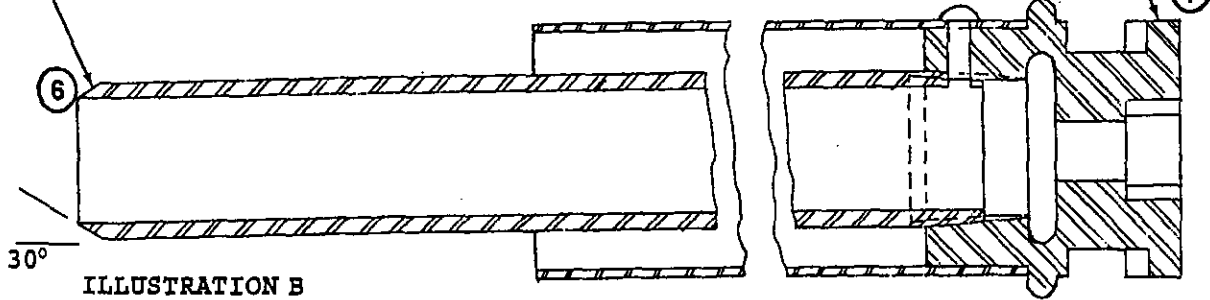


ILLUSTRATION B

NOTE: ALL HORSE HANGER HOOKS AND BEARINGS SHOULD BE INSPECTED FOR EXCESSIVE WEAR AT POINT 1. EXCESSIVE WEAR WILL RESULT IN INCREASED CLEARANCE BETWEEN STOPS 2 AND 3 WHICH SHOULD NOT EXCEED 3/16"

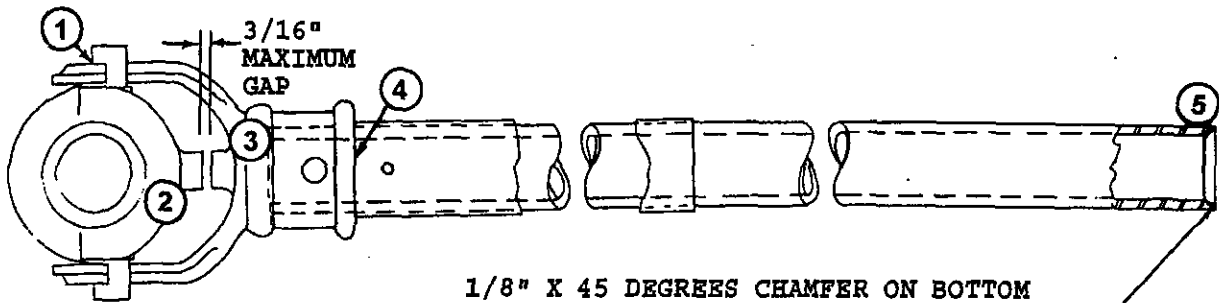


ILLUSTRATION C

1/8" X 45 DEGREES CHAMFER ON BOTTOM OF HORSE PIPE TO PREVENT A SHARP EDGE FROM CUTTING INTO THE TELESCOPE RESULTING IN A JAM BETWEEN THE TWO PIPES

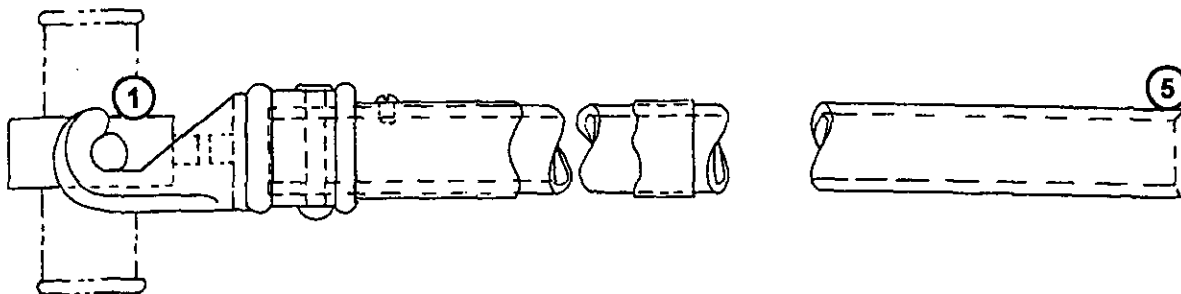


ILLUSTRATION D

ILLUSTRATION E

