



NUMBER: B406R1146-0

DATE: JAN. 7, 1994

SUPERSEDES:

SERVICE BULLETIN

Effective Serial Number: 40600193 through 40601393

Ride: CENTURY WHEEL

Subject: Handling Platform Rework

Chance Rides, Inc. has become aware that it is possible for the removable handling platform on which the gondola handling cart is used, to slide sideways and drop down into the trailer frame. If this occurs damage to gondola and possible injury to personnel can result.

Chance Rides, Inc. requires all owner/operators of the above noted amusement rides to order and install kit number K406R1146-0. This kit is available at no charge if ordered within 90 days of the date on this bulletin. Use the instructions in this bulletin to install the kit, complete the Certificate Of Compliance and return it to Chance Rides, Inc. within fifteen (15) days of the receipt of the kit.

All work must be performed by qualified personnel, capable of understanding the function of the parts and their proper installation.

NOTICE

Use only those components authorized, specified or provided by Chance Rides, Inc.

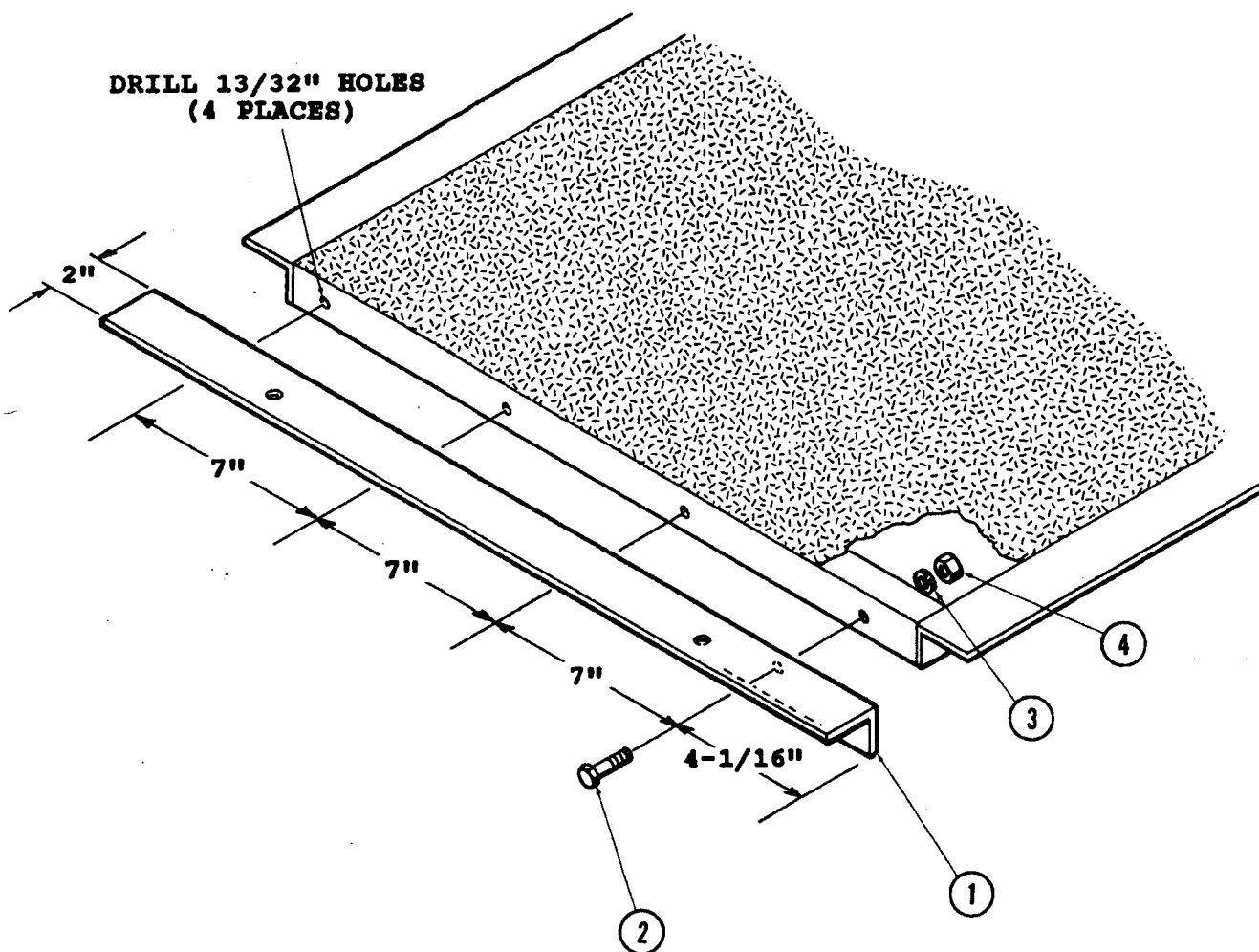
Chance Rides, Inc. SPECIFICALLY DISCLAIMS ANY LIABILITY for losses associated with any unauthorized alterations and/or modifications or additions and installations of unauthorized components.

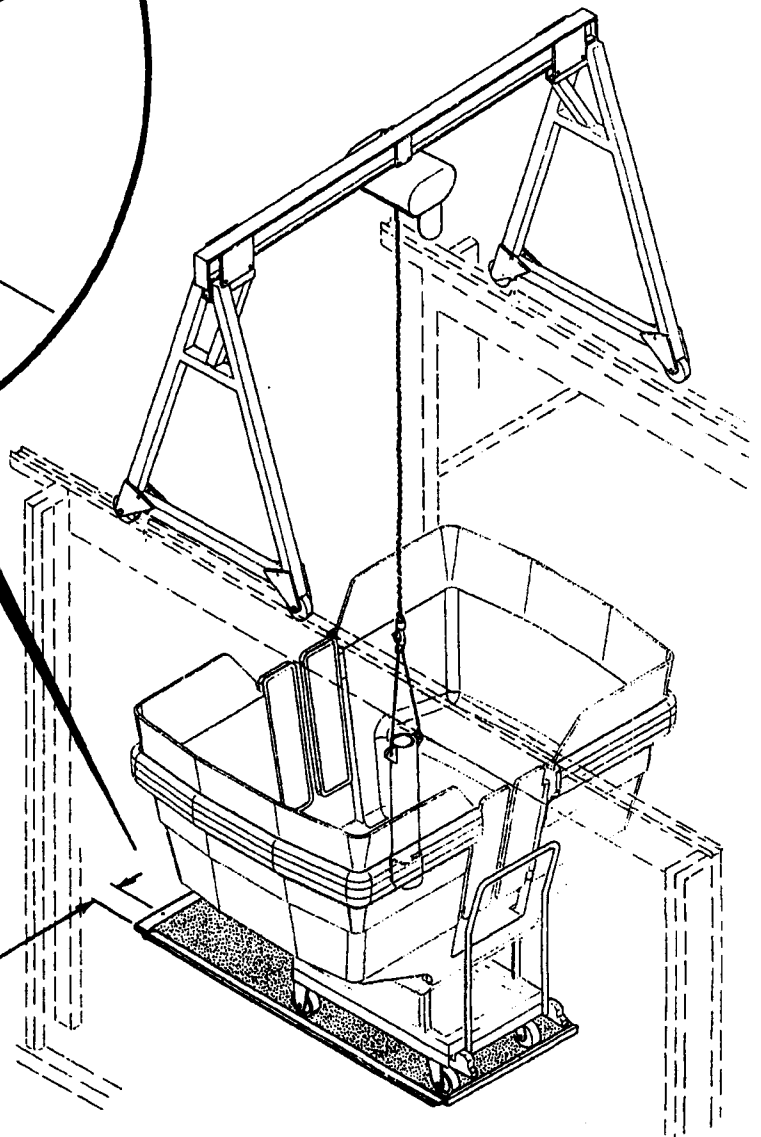
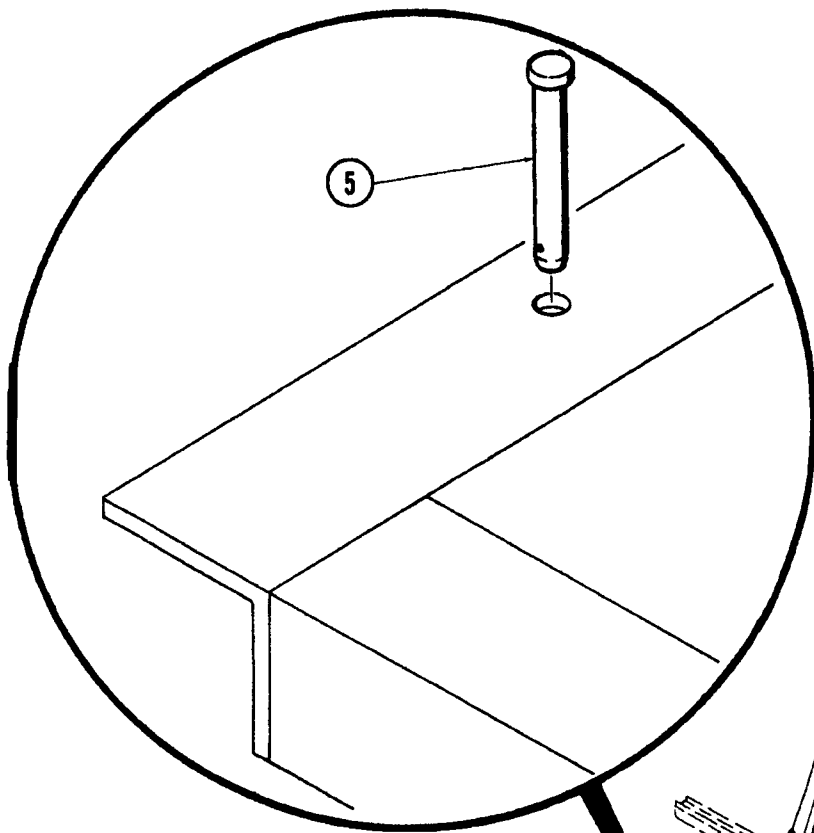
KIT K406R1146-0 PARTS LIST

<u>Item No.</u>	<u>Part Number</u>	<u>Description</u>	<u>Quantity</u>
1	30222600	Angle 2 x 1-1/2 x 1/8 x 29-1/8	1
2	60767600	H.H.C.S. 3/8-16 x 2-1/4 Gr. 5	4
3	68530900	Washer wrot 3/8	4
4	64781600	Locknut 3/8 - 16	4
5	25238900	Clevis Pin 1/4 x 2	2

Installation Instructions

1. Clamp angle (Item 1) to front edge of handling platform as shown.
2. Drill four (4) $13/32$ " diameter holes through angle and $1-1/4$ " square tubing of platform as shown.
3. Secure angle to platform with hexhead capscrews (Item 2), washers (Item 3) and locknuts (Item 4).
4. Position handling platform in place on trailer. Drill two (2) $9/32$ " diameter holes through angle and trailer structure. Clevis pins (Item 5) are inserted through holes to secure handling platform in place during set-up and tear down.





DRILL $9/32$ " HOLES (2 PLACES)
6" FROM EACH END OF ANGLE