



NUMBER: B406R1174-0

DATE: March 22, 1996

SUPERSEDES:

---

---

## SERVICE BULLETIN

---

---

Effective Serial Number: All Units except 406-03395

Ride: CENTURY WHEEL

Subject: Gondola Door Rework

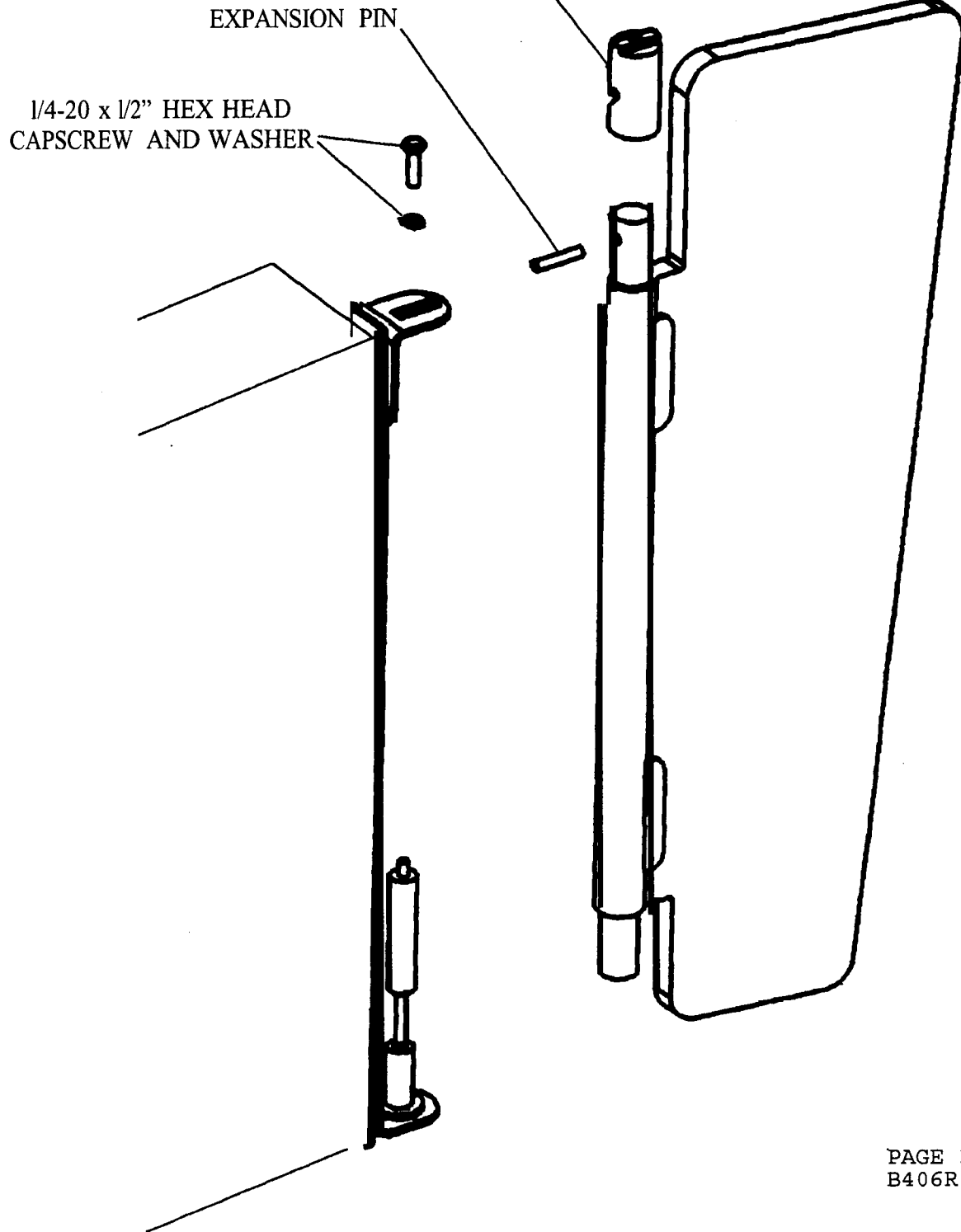
Chance Rides, Inc. has designed a new door collar which acts as a retention device for the gondola doors on the above noted CENTURY WHEEL amusement rides. These door collars, when properly installed, will reduce the possibility of someone inadvertently opening the gondola doors while the ride is in operation.

In addition to these new door collars, Chance Rides, Inc. has also designed a new caution decal to be positioned on the inside of the gondola doors. This decal warns persons not to attempt to open the doors unless the gondola is stopped in the load/unload station.

Chance Rides, Inc. requires all owner/operators of the above noted CENTURY WHEEL rides to order and install both the new door collars and decals. A total of 30 right-hand door collars, part number 406-132-8, and 30 left-hand door collars, part number 406-132-9, are required per ride. Fifteen caution decals, part number 406-177-001, are also required. In addition, 60 "PUSH DOWN AND IN" decals, part number 406-179-1 and 60 "PUSH DOWN AND" decals, part number 406-178-1 must be installed on each ride noted above. The door collars and the decals are available at no charge if ordered within 90 days of the date on this bulletin. Use the instructions in this bulletin to install both the door collars and the decals.

All work must be performed by qualified personnel, capable of understanding the function of the parts and their proper installation.

Replace existing COLLAR with the COLLAR provided.  
**IMPORTANT: NOTE THE DIFFERENCE BETWEEN  
RIGHT-HAND AND LEFT HAND COLLARS.  
DOORS MUST OPEN INWARD ONLY.**



NOTICE

Use only those components authorized, specified or provided by Chance Rides, Inc.

Chance Rides, Inc. SPECIFICALLY DISCLAIMS ANY LIABILITY for losses associated with any unauthorized alterations and/or modifications or additions and installations of unauthorized components.

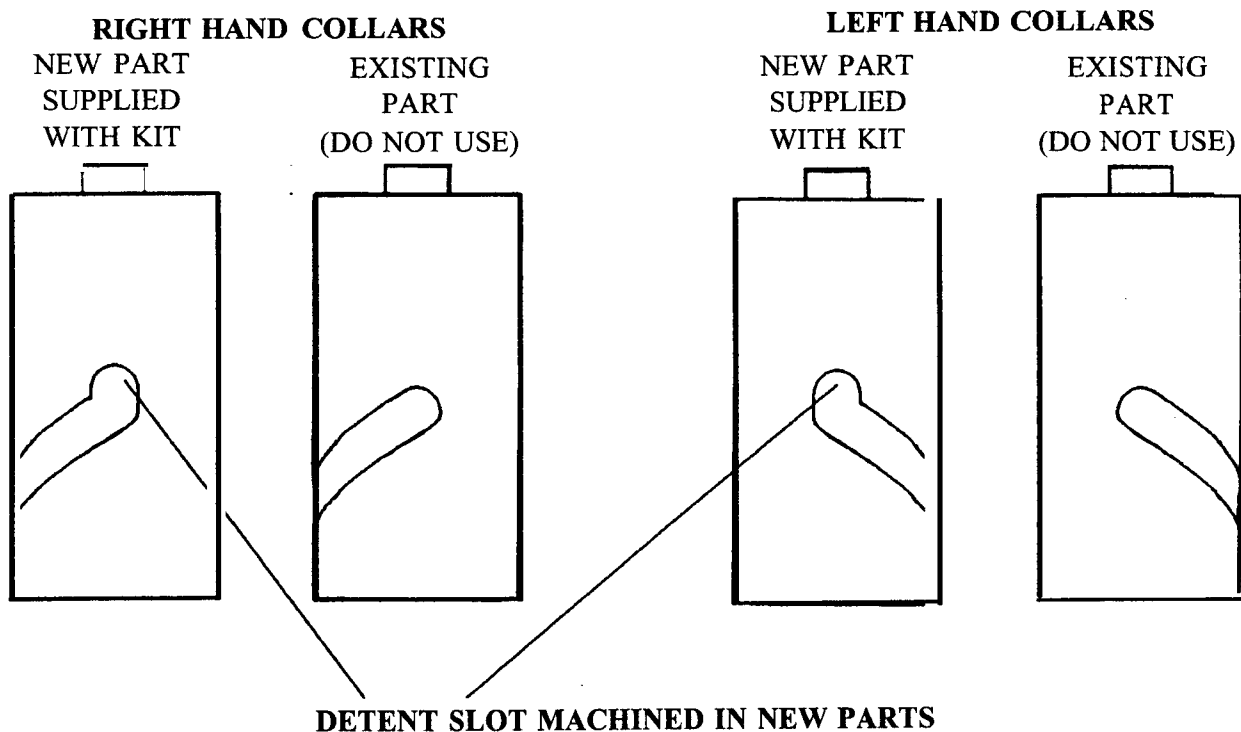
Installation Instructions for Door Collars and Decals


1. Remove the top 1/4-20 x 1/2 inch long hex head capscrew which secures the gondola door to the top door hinge angle and remove the door.
2. Drive the expansion pin out of the existing door collar and remove the collar.
3. Position the new collar in place and install the new expansion pin, part number 65183402. Sixty expansion pins are required.

NOTE: Be sure to install the right-hand collar on the right-hand door and the left-hand collar on the left-hand door, so doors open inward only.

4. Reinstall the door to the door hinge angle and tighten the 1/4-20 hex head capscrew until the lock washer is flat.
5. Install new decals, over existing ones.

**IMPORTANT: NOTE THE DIFFERENCE BETWEEN THE EXISTING PARTS AND THE NEW PARTS SUPPLIED WITH THE KIT, AS SHOWN BELOW.**



  
**PUSH DOWN,  
THEN PULL IN  
TO OPEN DOOR  
WHEN INSTRUCTED  
BY RIDE OPERATOR.**

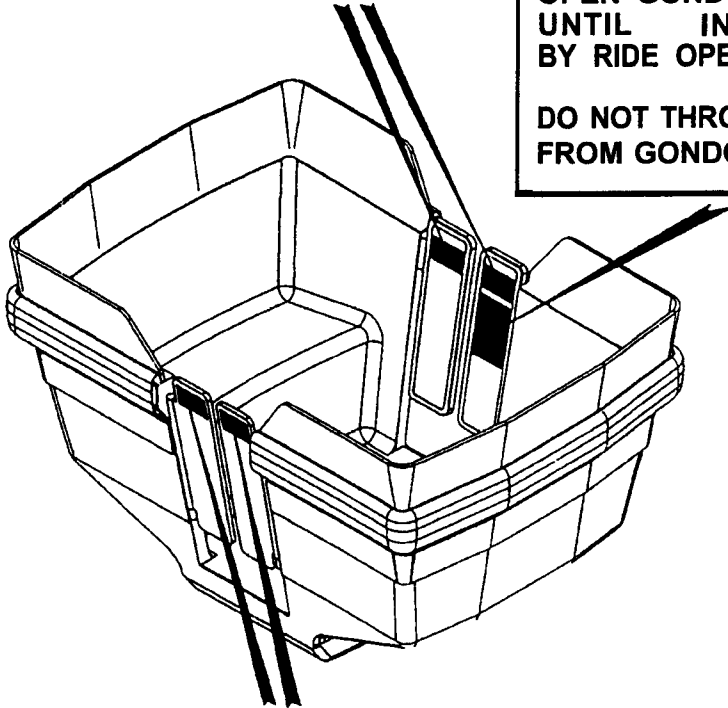
**⚠ CAUTION**


**EXITING RIDE WHEN  
GONDOLA IS NOT  
IN THE LOAD/UNLOAD  
STATION CAN RESULT  
IN SERIOUS INJURY.**

**REMAIN SEATED WITH  
ARMS AND HANDS INSIDE  
GONDOLA.**

**DO NOT ATTEMPT TO  
OPEN GONDOLA DOORS  
UNTIL INSTRUCTED  
BY RIDE OPERATOR.**

**DO NOT THROW OBJECTS  
FROM GONDOLA.**



  
**PUSH DOWN, THEN IN  
TO OPEN DOOR WHEN  
INSTRUCTED  
BY RIDE OPERATOR.**