



CHANCE RIDES, INC.
4219 Irving
Wichita, KS 67277-2328
U.S.A.
Phone: 1-800-242-6231 • FAX: 1-316-942-7416
Website: www.rides.com
E-mail: rides@rides.com

Bulletin No:	B408R1222-A
Release Date:	August 1, 2000
Effective Date:	August 1, 2000
Supersedes:	B408R1222-0
Completion Date:	September 1, 2000
Page:	1 of 4

SERVICE BULLETIN

Ride Manufacturer: CHANCE RIDES, INC. Affected Production Dates: 1/31/96 and on

Ride Name: CHAOS Affected Serial Nos.: 408-00196 and
408-02097 and on

Model No.: 408

Abstract of Issue:
Inspection of Secondary Restraint Bars

Reason For Release:

Chance Rides, Inc. has become aware of a single occurrence where a crack developed in the curved area of the secondary restraint bars of the CHAOS amusement ride. A break in the secondary restraint bar can possibly result in personal injury to the operator, passengers, and/or bystanders.

This bulletin revision is being issued to provide information on the inspection boot, which can be installed at the owner/operator's option. This removable boot facilitates the required annual inspection of the secondary restraint bars.

Action to be Taken:

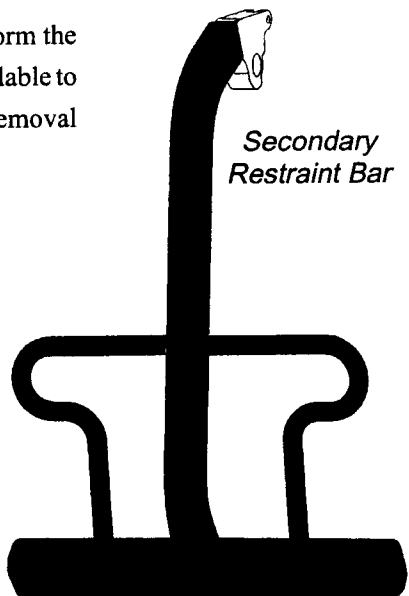
All owners of the above noted amusement rides are required to perform the inspection described in this bulletin annually. If desired, a boot is available to cover the inspection area. Subsequent annual inspection requires the removal of the boot.

All work must be performed by qualified personnel, capable of understanding the function of the parts and their proper installation.

NOTICE

Use only those components authorized, specified or provided by
Chance Rides, Inc.

Chance Rides, Inc. SPECIFICALLY DISCLAIMS ANY LIABILITY for losses associated with any unauthorized alterations and/or modifications or additions and installations of unauthorized components.





CHANCE RIDES, INC.
4219 Irving
Wichita, KS 67277-2328
U.S.A.
Phone: 1-800-242-6231 • FAX: 1-316-942-7416
Website: www.rides.com
E-mail: rides@rides.com

Bulletin No:	B408R1222-A
Release Date:	August 1, 2000
Effective Date:	August 1, 2000
Supersedes:	B408R1222-0
Completion Date:	September 1, 2000
Page:	3 of 4

Ride Manufacturer: CHANCE RIDES, INC.

Affected Production Dates: 1/31/96 and on

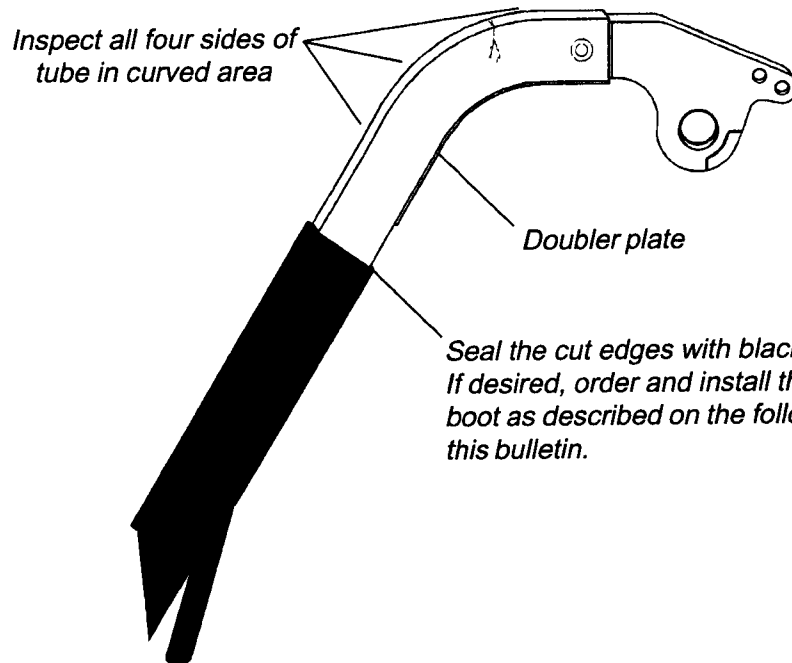
Ride Name: CHAOS

Affected Serial Nos.: 408-00196 and
408-02097 and on

Model No.: 408

Detail of Issue (continued):

3. Visually inspect all four sides of the aluminum tube in the curved area. Also, inspect the welds on the doubler plate and the metal surrounding the welds.



4. If any indications are noted, contact the Chance Rides Customer Service Department immediately. **DO NOT LOAD PASSENGERS IN THAT VEHICLE UNTIL REPAIR OR REPLACEMENT IS MADE.**
5. If no indications are found, seal the cut edges of the foam with a generous fillet of black RTV sealant.



CHANCE RIDES, INC.
4219 Irving
Wichita, KS 67277-2328
U.S.A.
Phone: 1-800-242-6231 • FAX: 1-316-942-7416
Website: www.rides.com
E-mail: rides@rides.com

Bulletin No:	B408R1222-A
Release Date:	August 1, 2000
Effective Date:	August 1, 2000
Supersedes:	B408R1222-0
Completion Date:	September 1, 2000
Page:	2 of 4

Ride Manufacturer: CHANCE RIDES, INC. Affected Production Dates: 1/31/96 and on

Ride Name: CHAOS Affected Serial Nos.: 408-00196 and
408-02097 and on

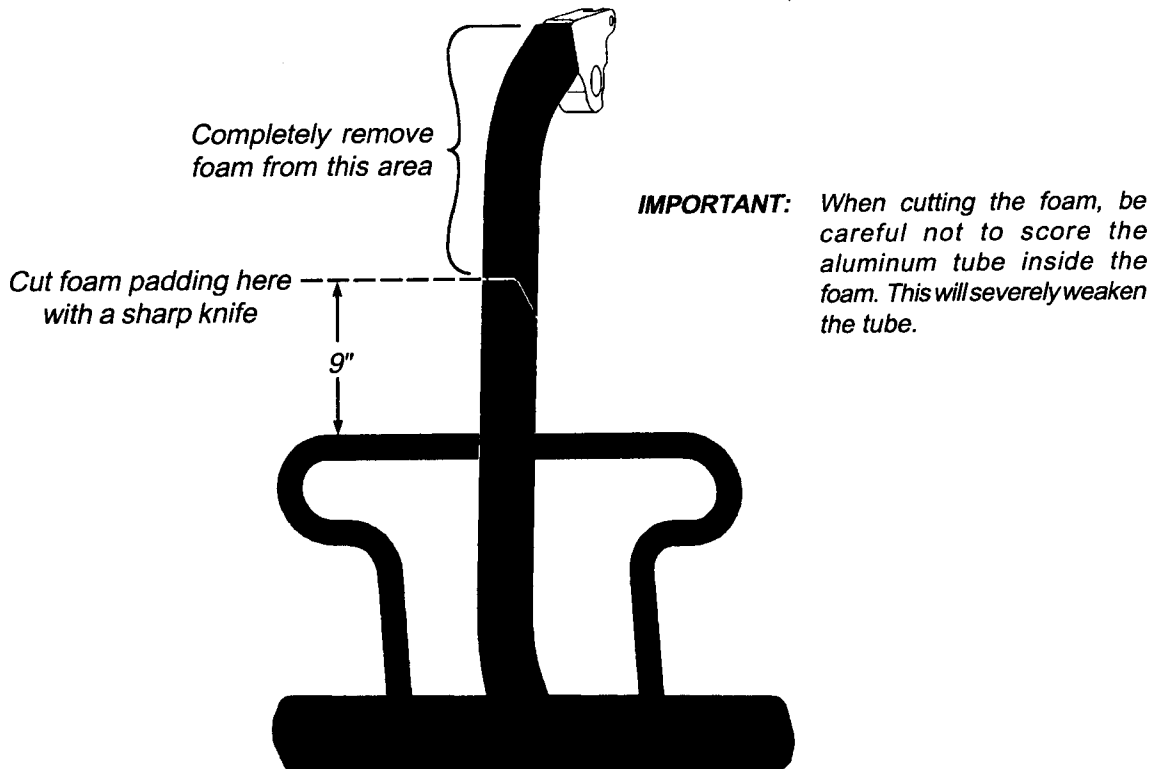
Model No.: 408

Detail of Issue (continued):

Annual Inspection Procedure

NOTE: Steps 1 and 2 are only necessary prior to the first inspection. An optional removable boot is available for subsequent annual inspections.

1. Use a sharp knife to carefully cut the foam padding as shown on all 18 secondary restraint bars.



2. Remove the foam above the cut as shown. This will expose the entire curved area of the frame and the full length of the welds on the doubler plate.



CHANCE RIDES, INC.
 4219 Irving
 Wichita, KS 67277-2328
 U.S.A.
 Phone: 1-800-242-6231 • FAX: 1-316-942-7416
 Website: www.rides.com
 E-mail: rides@rides.com

Bulletin No: B408R1222-A
 Release Date: August 1, 2000
 Effective Date: August 1, 2000
 Supersedes: B408R1222-0
 Completion Date: September 1, 2000
 Page: 4 of 4

Ride Manufacturer: CHANCE RIDES, INC. Affected Production Dates: 1/31/96 and on

Ride Name: CHAOS Affected Serial Nos.: 408-00196 and 408-02097 and on

Model No.: 408

Detail of Issue (continued):

6. If desired, order and install the boots as shown. The following parts will be provided at no charge if or ordered within 30 days of the release of this bulletin.

<u>Part Number</u>	<u>Component</u>	<u>Quantity</u>
20767200	BOOT - Inspection	18
61118600	SCREW - Phillips Head Machine (#10-32 x 1")	72
68529800	WASHER - SAE Flat (3/16)	72

Secure boot to secondary restraint bar with:
 #10-32 x 1" Round Head Phillips Machine Screws - part number 61118600
 - and -
 3/16" SAE Flat washers - part number 68529800

(4 places each boot, total 72 each required)

