



**CHANCE RIDES MANUFACTURING, INC.**  
**4200 Walker**  
**Wichita, KS 67277-2328**  
**U.S.A.**  
Phone: 1-316-942-7411 • FAX: 1-316-942-2012  
**Website: [www.rides.com](http://www.rides.com)**  
**E-mail: [rides@rides.com](mailto:rides@rides.com)**

Bulletin No:	B102CRM157-0
Release Date:	April 2, 2008
Effective Date:	April 2, 2008
Supersedes:	N/A
Completion Date:	June 2, 2008
Page:	1 of 4

# SERVICE BULLETIN

Ride Manufacturer: CHANCERIDES MANUFACTURING, INC.

Affected Production Dates: All

Ride Name: C.P. HUNTINGTON

Affected Serial Nos.: All Units With  
Ford 2.5L Engine

Model No.: 102

Abstract of Issue:

**Air Compressor Bracket Rework**

Reason For Release:

The fasteners for the air compressor mounting bracket used on the above noted C.P. HUNTINGTON locomotives can become loose over time from vibration. Loose fasteners can result in possible damage to the bracket, compressor and even the engine block if the locomotive is operated in this condition.

Extra attention to these fasteners is necessary to make sure that they are tightened properly and remain tight. A kit has been developed to help ensure that the fasteners remain tight.

Action to be Taken:

Owner/operators of the above noted C.P. HUNTINGTON trains are required to order and install the Air Compressor Fastener Rework Kit within 60 days of the release date on this bulletin. The kit will be provided at no charge during this timeframe.

Order the Air Compressor Bracket Rework Kit, part number K102CRM157-0, which includes all parts necessary for one locomotive.

Once the kit is installed, the fasteners must be inspected monthly. Installation procedures are provided on the following pages of this bulletin.

All work must be performed by qualified personnel, capable of understanding the function of the parts and their proper installation. Use only those components authorized, specified or provided by Chance Rides Manufacturing, Inc. All applicable OSHA safety standards and safe industry practices must be observed.

Observe all safety information contained in the manufacturer's manuals. Make available this bulletin and all related technical information to personnel using the equipment.

Chance Rides Manufacturing, Inc. issues notifications for the benefit of owners of amusement rides manufactured by Chance Rides Manufacturing, Inc. As a service to the industry, and in the interest of employee and public safety, Chance Rides Manufacturing, Inc. also issues notifications for the benefit of owners of amusement ride equipment for which the manufacturer no longer exists, such as the Allan Herschell Company, Chance Manufacturing Co., Inc., Chance Rides, Inc., etc. In doing so, Chance Rides Manufacturing, Inc. does not assume liability for losses associated with amusement ride equipment built by manufacturers other than Chance Rides Manufacturing, Inc.



**CHANCE RIDES MANUFACTURING, INC.**  
**4200 Walker**  
**Wichita, KS 67277-2328**  
**U.S.A.**  
 Phone: 1-316-942-7411 • FAX: 1-316-942-2012  
**Website: www.rides.com**  
**E-mail: rides@rides.com**

Bulletin No:	B102CRM157-0
Release Date:	April 2, 2008
Effective Date:	April 2, 2008
Supersedes:	N/A
Completion Date:	June 2, 2008
Page:	2 of 4

Ride Manufacturer: CHANCERIDES MANUFACTURING, INC.

Affected Production Dates: All

Ride Name: C.P. HUNTINGTON

Affected Serial Nos.: All Units With Ford 2.5L Engine

Model No.: 102

Detail of Issue (continued):

**The Air Compressor Fastener Rework Kit , part number K102CRM157-0, contains the following:**

Part Number	Component	Quantity
27534500	Stud - M10-1.5 x 92mm . . . . .	1
28538802	Special Locking Washer (set*) - 10mm . . . . .	4
28538801	Special Locking Washer (set*) - 8mm . . . . .	1
60668510	Capscrew - M10-1.5 x 35mm . . . . .	1
60668504	Capscrew - M10-1.5 x 40mm . . . . .	2
60684902	Capscrew - M8-1.25 x 40mm . . . . .	1
64748802	Nut - Hex 10mm-1.5 . . . . .	1

\* The special locking washer set consists of two washers. Refer to the installation details on page 4 of this bulletin.

**Installation Instructions**

1. Remove the old fasteners one at a time and replace with the fasteners exactly as shown in the following illustration. Discard the old fasteners - DO NOT RE-USE.

**IMPORTANT:** *Inspect the condition of each tapped holes in the engine block. Look for corrosion, wear, stripped threads or any other signs of damage. If damage is found contact the Customer Service Department at CHANCE RIDES MANUFACTURING, INC. for the proper repair procedure before proceeding. All threaded holes must be clean and in good condition.*

*The lengths of the capscrews provided may vary slightly from those originally installed at the factory. USE ONLY THE FASTENERS PROVIDED IN THIS KIT.*

2. As each fastener is installed, tighten it to the torque specifications shown on page 4.
3. Use a torque wrench to check the tightness of these fasteners monthly.



**CHANCE RIDES MANUFACTURING, INC.**  
4200 Walker  
Wichita, KS 67277-2328  
U.S.A.  
Phone: 1-316-942-7411 • FAX: 1-316-942-2012  
Website: [www.rides.com](http://www.rides.com)  
E-mail: [rides@rides.com](mailto:rides@rides.com)

Bulletin No:	B102CRM157-0
Release Date:	April 2, 2008
Effective Date:	April 2, 2008
Supersedes:	N/A
Completion Date:	June 2, 2008
Page:	3 of 4

Ride Manufacturer: CHANCERIDES MANUFACTURING, INC.

Affected Production Dates: All

Ride Name: C.P. HUNTINGTON

Affected Serial Nos.: All Units With Ford 2.5L Engine

Model No.: 102

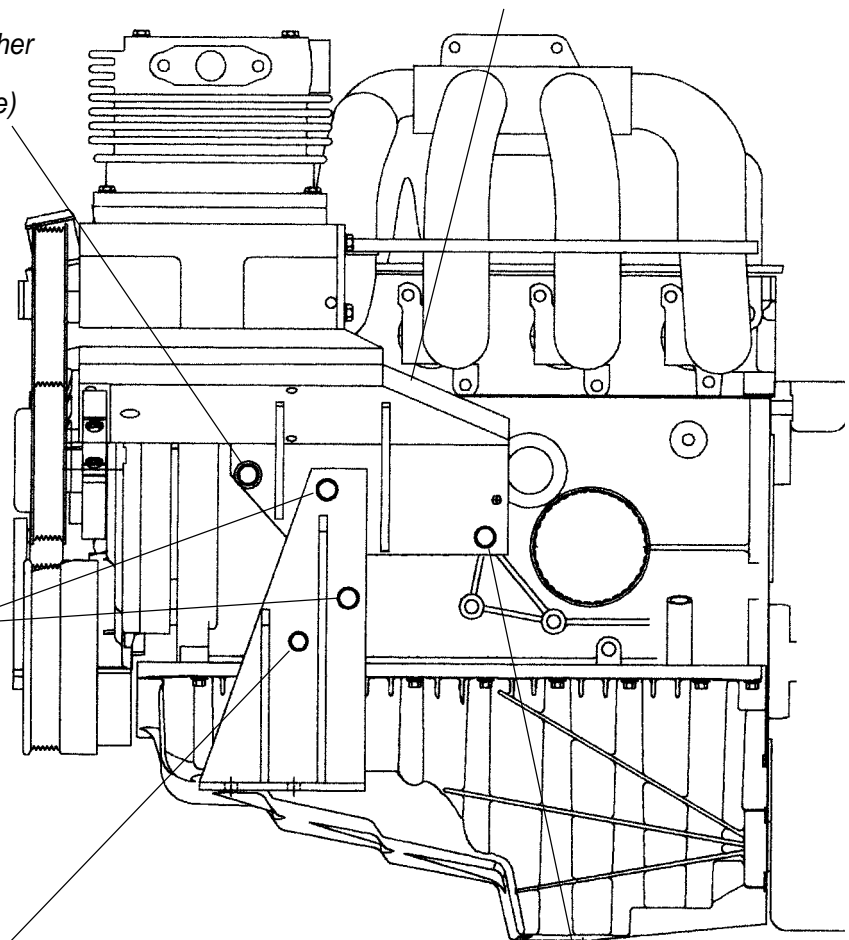
Detail of Issue (continued):

*M10-1.5 x 35mm capscrew  
with 10mm special locking washer  
at this location  
(See Detail View on next page)*

*M10-1.5 x 40mm capscrew  
with special locking washers  
at these locations  
See Detail View on next page*

*M8-1.25 x 40mm capscrew  
with 5/16 special locking washer  
at this location  
(See Detail View on next page)*

*Air compressor bracket*



*M10-1.5 x 92mm stud  
with 10mm special locking washers  
at this location  
(See Detail View on next page)*



**CHANCE RIDES MANUFACTURING, INC.**

**4200 Walker  
Wichita, KS 67277-2328  
U.S.A.**

**Phone: 1-316-942-7411 • FAX: 1-316-942-2012**

**Website: [www.rides.com](http://www.rides.com)**

**E-mail: [rides@rides.com](mailto:rides@rides.com)**

Bulletin No: B102CRM157-0

Release Date: April 2, 2008

Effective Date: April 2, 2008

Supersedes: N/A

Completion Date: June 2, 2008

Page: 4 of 4

Ride Manufacturer: CHANCERIDES MANUFACTURING, INC.

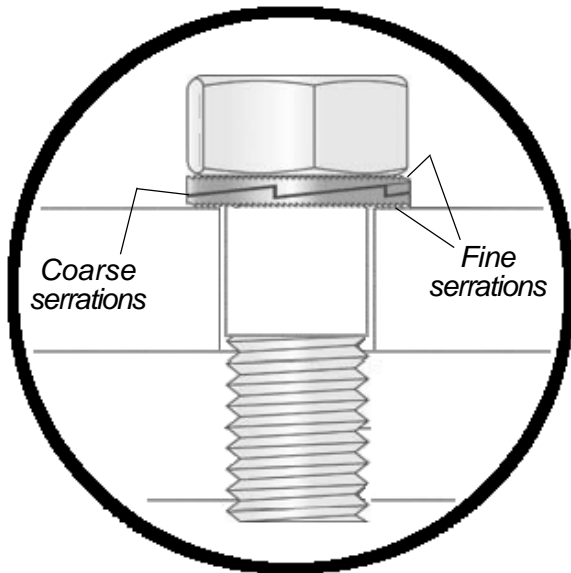
Affected Production Dates: All

Ride Name: C.P. HUNTINGTON

Affected Serial Nos.: All Units With  
Ford 2.5L Engine

Model No.: 102

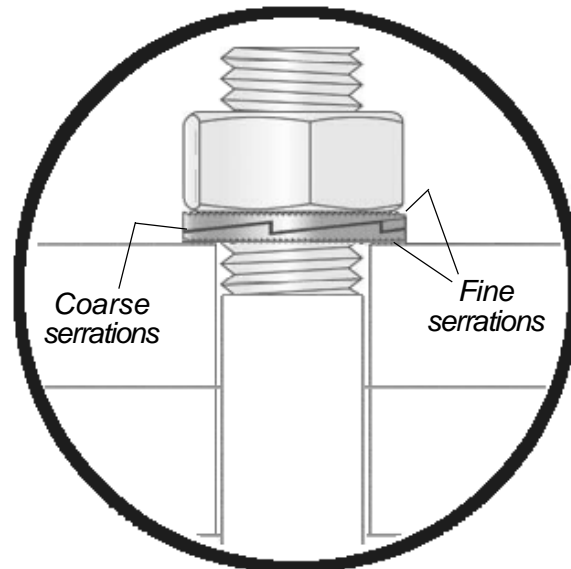
Detail of Issue (continued):



***Installation Detail of  
LOCKING WASHER SET  
Installed Under Head of Capscrew***

*These washers must be installed in pairs. Make sure the coarse serrations of the two washers are mated with each other as shown. The fine serrations must be against the capscrew head and the mounted component. Tighten the capscrews as follows:*

- 8mm capscrews - 19 ft-lbs (dry)
- 10mm capscrews - 37 ft-lbs (dry)



***Installation Detail of  
LOCKING WASHER SET  
Installed Under Nut on Stud***

*These washers must be installed in pairs. Make sure the coarse serrations of the two washers are mated with each other as shown. The fine serrations must be against the nut and the mounted component. Tighten the nuts as follows:*

- 10mm nuts - 37 ft-lbs (dry)