



NUMBER: B391R1018-0

DATE: Oct. 26, 1987

SUPERSEDES:

America's Largest Manufacturer of Amusement Rides

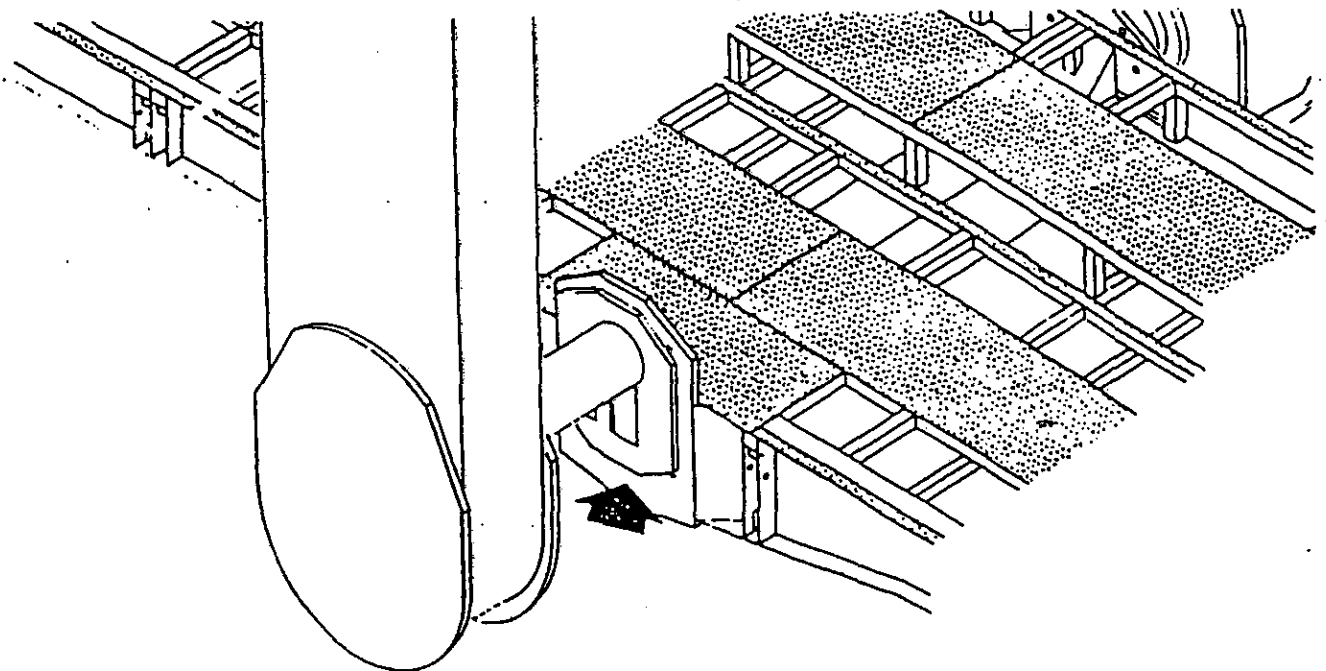
SERVICE BULLETIN

Effective Serial Number: 391-00586 through 391-00887

Ride: FALLING STAR

Subject: Inspection Of Vehicle
Mounting Plate

It has been determined by CHANCE RIDES, INC. that the joint between the vehicle and the front stub shaft on the FALLING STAR can deflect under certain conditions.

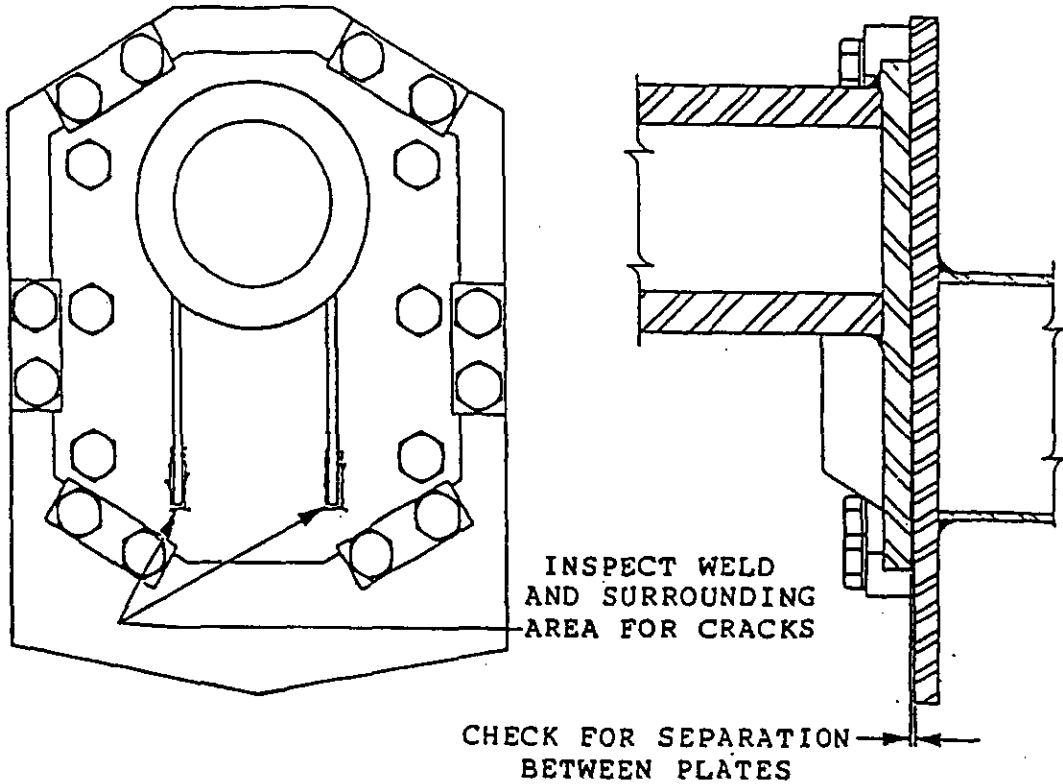


The owners of the above noted FALLING STAR amusement rides are therefore required to inspect their rides as described in this bulletin. Perform the inspection using the instructions on the reverse side of this bulletin. Return the Certification Of Compliance within fifteen (15) days from receipt of the bulletin.

The inspection must be performed by qualified personnel, capable of understanding the function of the parts and their proper installation. If there are any questions regarding the instructions or this inspection, contact the CHANCE CUSTOMER SERVICE DEPARTMENT.

INSPECTION PROCEDURE

th the vehicle installed on the sweeps and the capscrews tightened to 700-840 ft-lb., inspect the front stub shaft as shown in the illustration below.



Inspect the weld and the parent metal surrounding the weld. Also, make sure there is no separation between the two plates as shown.

If cracks, separation or any unusual condition exist, contact the CHANCE CUSTOMER SERVICE DEPARTMENT immediately. DO NOT OPERATE THE RIDE.



NUMBER: B391R1029-0

DATE: Nov. 17, 1988

SUPERSEDES:

SERVICE BULLETIN

Effective Serial Number: All Units

Ride: FALLING STAR

Subject: Drive Sprocket Fastener
Inspection

It has been determined by CHANCE RIDES, INC. that the fasteners between the drive hub and the large drive sprocket on the FALLING STAR must be checked for tightness on a regular basis. If the fasteners become loose, the sprocket can rotate out of alignment, resulting in serious damage to structural and drive components.

The owners of the above noted FALLING STAR amusement rides are therefore required to inspect their rides as described in this bulletin. Perform the inspection using the instructions on the reverse side of this bulletin. Return the Certification Of Compliance within fifteen (15) days from receipt of the bulletin.

The inspection must be performed by qualified personnel, capable of understanding the function of the parts and their proper installation. If there are any questions regarding the instructions or this inspection, contact the CHANCE CUSTOMER SERVICE DEPARTMENT.

INSPECTION PROCEDURE

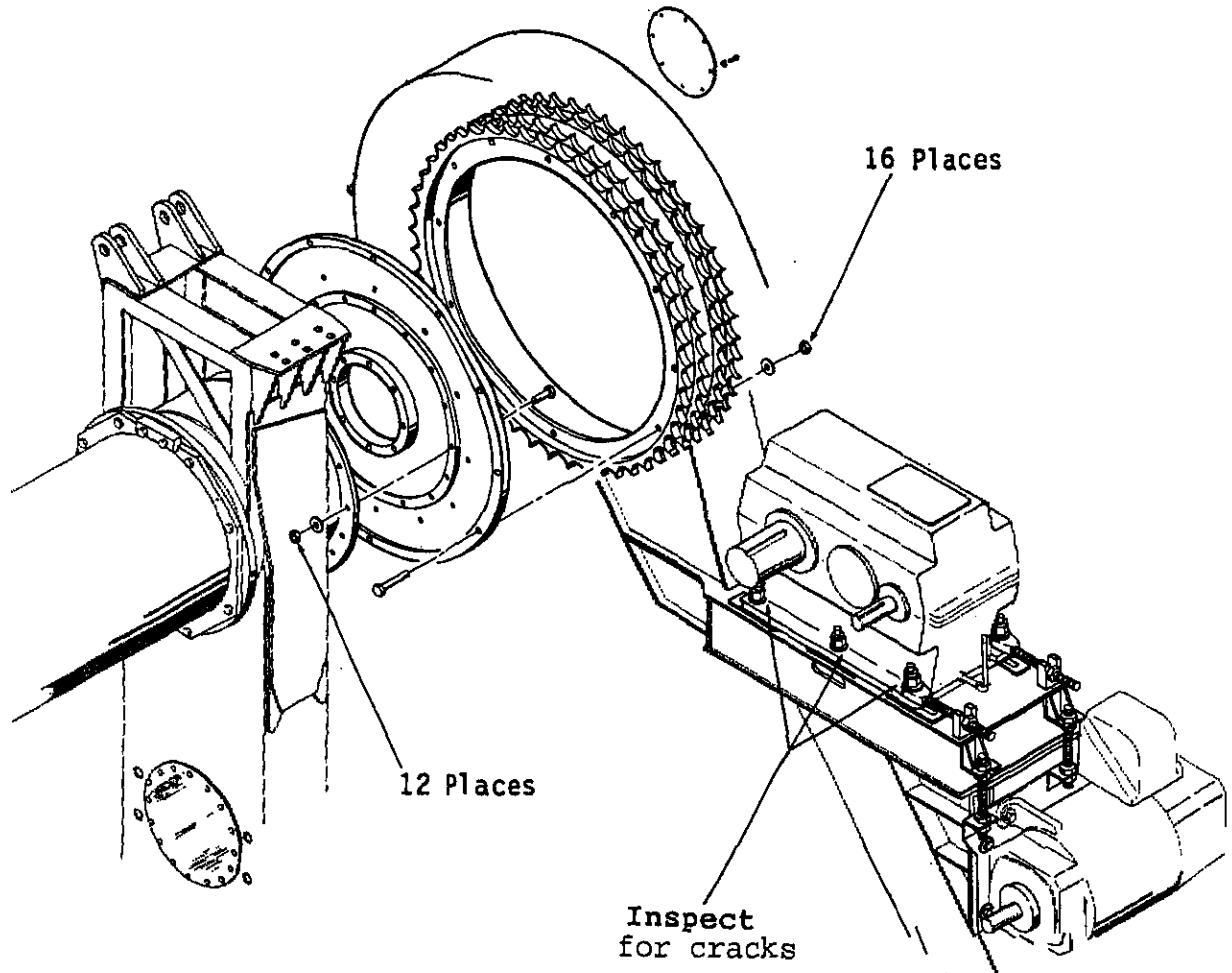
This procedure must be performed while the ride is erected and fully operable.

1. Use a torque wrench to check the tightness of ALL fasteners indicated in the illustration below. The correct torque of the fasteners must be 760 ft-lb if checked at the nut, or 840 ft-lb if checked at the capscrew head.

NOTE: The fasteners can be checked by removing the access covers from the chain case. However, the chain case must be removed to properly tighten loose fasteners.

2. Inspect the base plate of the gearbox for cracks in the area around the attaching capscrews.

3. Perform this inspection twice every operating season.



If loose fasteners, cracks or any unusual condition exists, contact the CHANCE CUSTOMER SERVICE DEPARTMENT immediately.



NUMBER: B391R1033-0

DATE: March 22, 1989

SUPERSEDES:

SERVICE BULLETIN

Effective Serial Number: 391-005-86 and 391-006-86

Ride: FALLING STAR

Subject: Seat Guard Rail

A modification kit has been developed to decrease the clearance between the lap bar and the seat, increasing the security of the passenger restraint system. The modification consists of mounting a guard rail to the seat.

As a safety precaution, CHANCE RIDES, INC. requires that all FALLING STAR amusement rides be equipped with this guard rail. Owners of FALLING STAR amusement rides with the above noted serial numbers are required to perform the modification described in this bulletin.

Order kit number K75-0336-00, which includes the parts necessary to modify one ride. Install the parts using the instructions provided on the following pages of this bulletin. Fill out the attached Certification Of Compliance for the modification within 15 days of receipt of the kit.

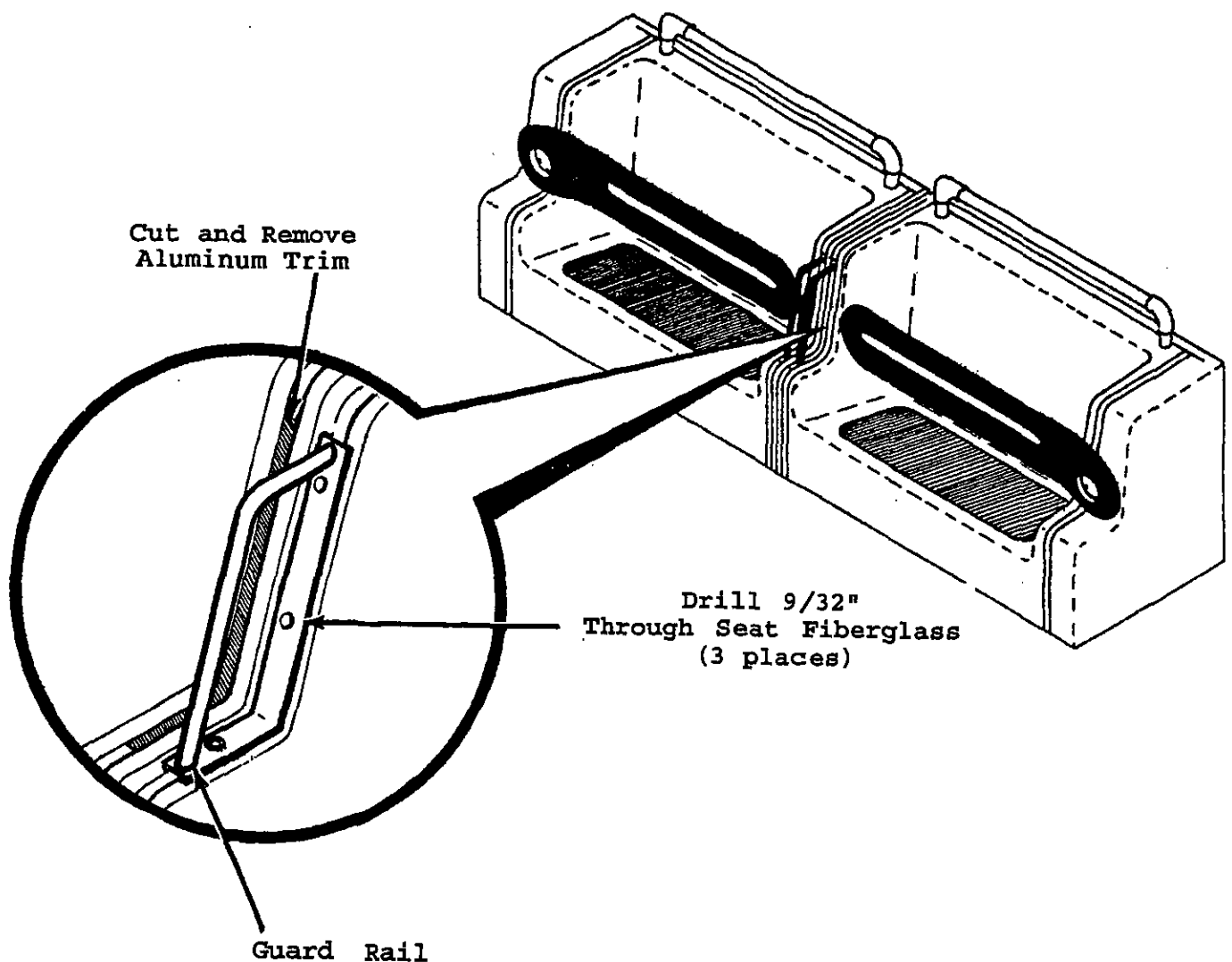
PARTS LIST - Seat Hand Rail Kit No. K75-0336-00
(consists of the following parts)

<u>Item</u>	<u>Part No.</u>	<u>Description</u>	<u>Qty.</u>
1	375-3162300	HAND RAIL (391-153-001)	20
2	686-1144200	CAPSCREW - Truss Head (1/4-20 x 1)	60
3	691-4780800	LOCK NUT (1/4-20)	60
4	696-8530000	WROUGHT WASHER (1/4)	60
5	681-6141000	POP RIVET - AD56ABS 5/32 Dome Head	40

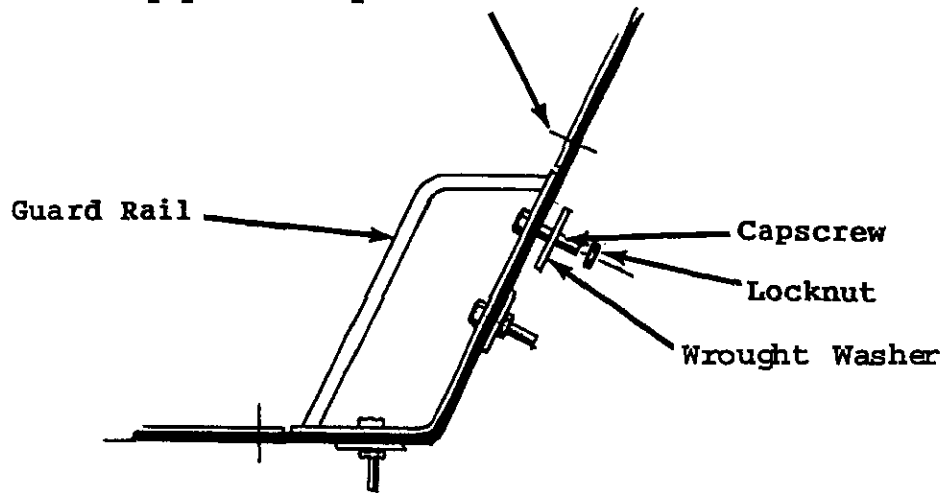
All work must be performed by competent, qualified mechanics, capable of understanding the function of the parts and their proper installation. If there are any questions regarding the instructions or this rework, contact the CHANCE CUSTOMER SERVICE DEPARTMENT.

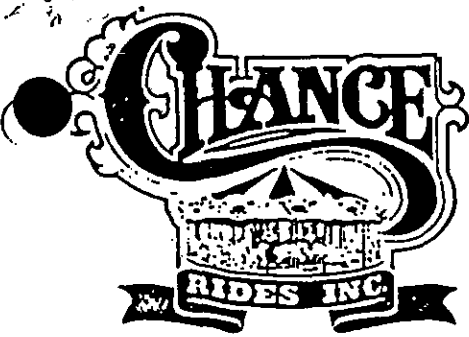
INSTALLATION INSTRUCTIONS

1. Position the guard rail on a seat as shown. Mark the aluminum seat trim flush with each end of the guard rail.
2. Cut the aluminum trim at both marks. Drill out the rivets and remove the section of trim.
3. Use the guard rail (Item #1) to mark the hole locations on the seat. Drill $9/32$ " through the seat fiberglass three places.
4. Mount the guard rail using the capscrews, wrought washers and locknuts (Items #2, #3 and #4) as shown.
5. Secure the ends of the aluminum trim with pop rivets (Item #5) as shown.
6. Repeat the procedure on the remaining 19 seats.



Drill #20
1/2" from end
of trim. Install
pop rivets provided





NUMBER: A391R1039-0

DATE: May 10, 1989

SUPERSEDES:

America's Largest Manufacturer of Amusement Rides

SERVICE BULLETIN

Effective Serial Number: 391-00586 through 391-01089

Ride: FALLING STAR

Subject: Inspection of Sweeps



WARNING: FAILURE TO COMPLY WITH THIS SERVICE BULLETIN CAN RESULT IN FAILURE OF THE SWEEP STRUCTURE, CAUSING INJURY TO PASSENGERS, AND/OR BYSTANDERS.

It has been determined by CHANCE RIDES, INC. that cracks can develop in FALLING STAR sweep arm weldments.

The owners of the above noted FALLING STAR amusement rides are therefore required to inspect their rides as described in this bulletin. Perform the inspection using the instructions on the reverse side of this bulletin. Return the Certification Of Compliance within 15 days from receipt of the bulletin.

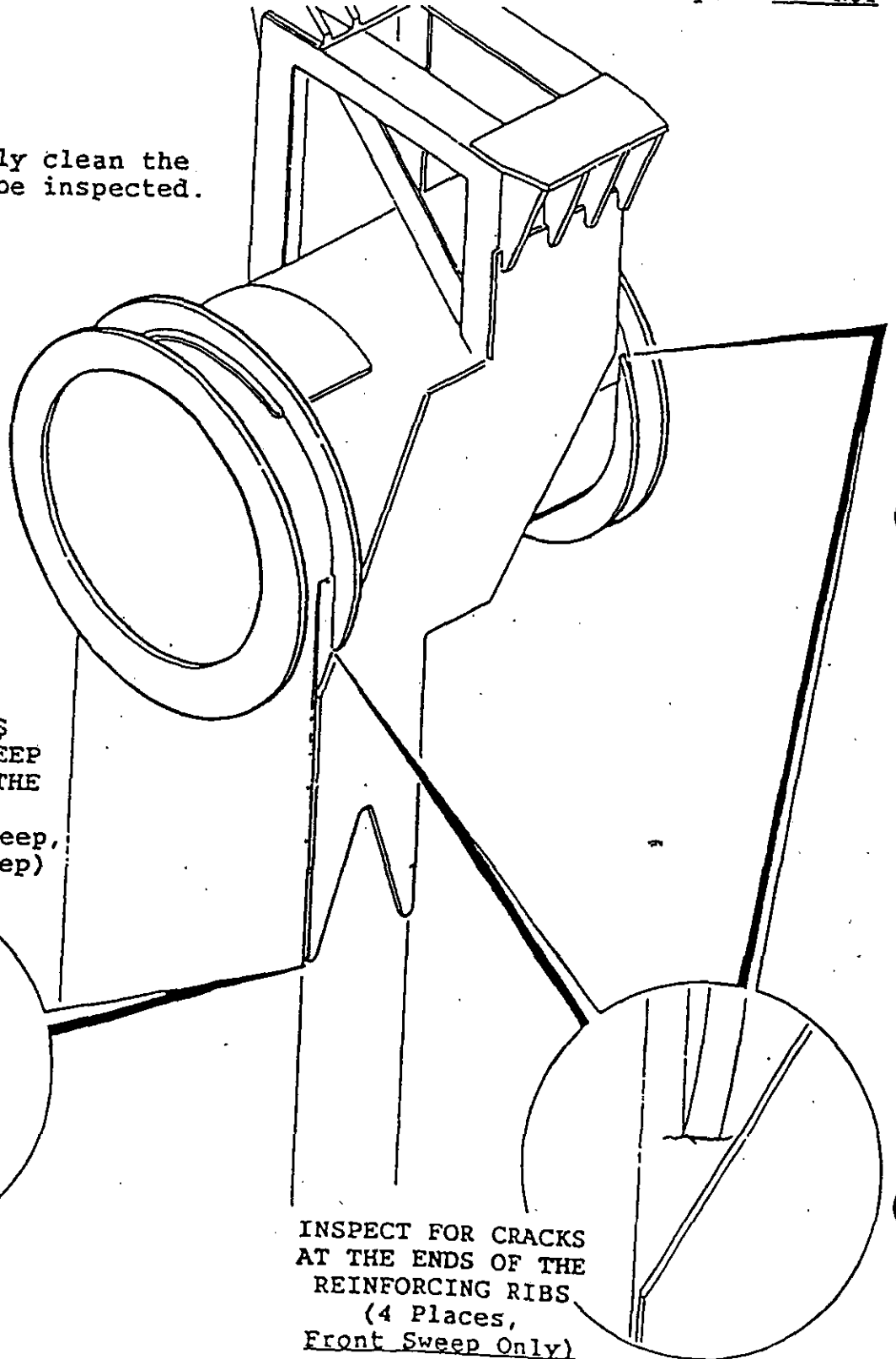
The inspection must be performed by qualified personnel, capable of understanding the function of the parts and their proper installation. If there are any questions regarding the instructions or this inspection, contact the CHANCE CUSTOMER SERVICE DEPARTMENT.

INSPECTION PROCEDURE

Check the front and rear sweep arm weldments for cracks as shown in the following illustration. Inspect the weld and the parent metal at the toe of the weld.

If cracks or any unusual condition exist in any of the areas noted, contact the CHANCE CUSTOMER SERVICE DEPARTMENT immediately. DO NOT OPERATE THE RIDE.

IMPORTANT: Thoroughly clean the area to be inspected.



INSPECT FOR CRACKS
PERPENDICULAR TO SWEEP
ARM AT THE ENDS OF THE
DOUBLER PLATE
(4 Places On Front Sweep,
4 Places On Rear Sweep)

INSPECT FOR CRACKS
AT THE ENDS OF THE
REINFORCING RIBS
(4 Places,
Front Sweep Only)



NUMBER: B391R1044-0

DATE: June 22, 1989

SUPERSEDES:

America's Largest Manufacturer of Amusement Rides

SERVICE BULLETIN

Effective Serial Number: 391-00586 through 391-01089

Ride: FALLING STAR

Subject: Sweep Rework



WARNING: FAILURE TO COMPLY WITH THIS SERVICE BULLETIN CAN RESULT IN FAILURE OF THE SWEEP STRUCTURE, CAUSING INJURY TO PASSENGERS, AND/OR BYSTANDERS.

On May 10, 1989, CHANCE RIDES, INC. issued Safety Alert Bulletin number A391R1039-0. This bulletin required inspection of the sweeps on the above noted FALLING STAR amusement rides. Based on the results of these inspections, CHANCE RIDES, INC. has determined that cracks can develop in FALLING STAR sweep arm weldments. A design improvement rework kit has been developed for these rides.

OWNERS OF THE ABOVE NOTED FALLING STAR AMUSEMENT RIDES ARE REQUIRED TO REWORK THEIR RIDES TO INCORPORATE THIS DESIGN IMPROVEMENT. This rework program is to be implemented in the following manner:

- Perform the inspection described in bulletin number A391R1039-0 DAILY. If cracks are found, DO NOT OPERATE THE RIDE. Order kit number K75-0343-01, and install it using the instructions provided with the kit. Return the Certification Of Compliance within 15 days from receipt of the kit.
- All rides must have the rework kit installed by December 1, 1989, regardless of whether or not cracks are found. Inspect reworked sweeps on a continuing basis, along with other major structural components.

All work must be performed by qualified personnel, capable of understanding the function of the parts and their proper installation. If there are any questions regarding the instructions or this rework, contact the CHANCE CUSTOMER SERVICE DEPARTMENT.



NUMBER: B391R1084-0

DATE: AUGUST 20, 1990

SUPERSEDES:

SERVICE BULLETIN

Effective Serial Number: All Units - Chance Rides, Inc.

All Units - Chance Manufacturing Co., Inc.

Chance Rides, Inc. SPECIFICALLY DISCLAIMS ANY LIABILITY for losses associated with rides produced by Chance Manufacturing Company, Inc.

Ride: FALLING STAR

Subject: Safe Operating Procedures

For the safety of all ride personnel and ride passengers, Chance Rides Inc. requires all owners of FALLING STAR amusement rides to know and enforce the safety and inspection points listed in Chance Service Bulletins number B090R1002-0 (Field Performance Testing of Amusement Rides) and number B090R1049-0 (Crowd Control), the Chance Field Inspection Guide, and the Operation/Maintenance Manual. These points would include but not be limited to the following items.

1. Anti-slip material on seat bottoms
2. Lap bar interlock system
3. Lap bar locking mechanism
4. Operator present switch and the emergency stop button.

The selection and training of ride operators is extremely important in maintaining a safe operation. Select only competent mature operators who are capable of understanding and adhering to all safety requirements. These requirements include but are not limited to the following items.

1. Do not allow any person who is under 42" in height to ride, unless accompanied by an adult in the same seat.

2. Do not allow any passenger on the ride who cannot be properly secured because of passenger size or condition.
3. Never allow a pregnant woman or a passenger who is visually ill or under the influence of drugs or alcohol on the ride.
4. Before starting the ride, make sure there are no people around the ride structure, behind the vehicle, close to any exposed electrical components, or any other area where there is a possibility of personal injury.
5. Give full attention to the ride of the passengers at all times.
6. Never leave the operating console while the ride is in operation.
7. Stop the ride immediately if any passenger is observed tampering with any restraining device or behaving dangerously.



NUMBER: B391R1086-0

DATE: OCT. 12, 1990

SUPERSEDES:

America's Largest Manufacturer of Amusement Rides

SERVICE BULLETIN

Effective Serial Number: All Units - Chance Rides, Inc.
All Units - Chance Manufacturing Co., Inc.

Chance Rides, Inc. SPECIFICALLY DISCLAIMS ANY LIABILITY for losses associated with rides produced by Chance Manufacturing Company, Inc.

Ride: FALLING STAR Subject: Vehicle Doublor Kit

Chance Rides, Inc. has developed two kits for the FALLING STAR amusement ride. These kits reinforce the vehicle frame. Chance Rides, Inc. requires all owners of FALLING STARS to install these kits.

Order Kit #K391R1086-0 and Kit #K391R1088-0, which includes the parts necessary to modify one ride. Install the parts using the instructions provided with the kits and return the attached Certification of Compliance within 15 days after receipt of the kits.

PARTS LISTS

KIT NUMBER K391R1086-0

<u>Part Number</u>	<u>Description</u>	<u>Quantity</u>
391-120-096	Doublor Plate	8
K391R1086-0	Drawing	1

KIT NUMBER K391R1088-0

<u>Part Number</u>	<u>Description</u>	<u>Quantity</u>
391-124-016	Doublor Plate	2
K391R1088-0	Drawing	1

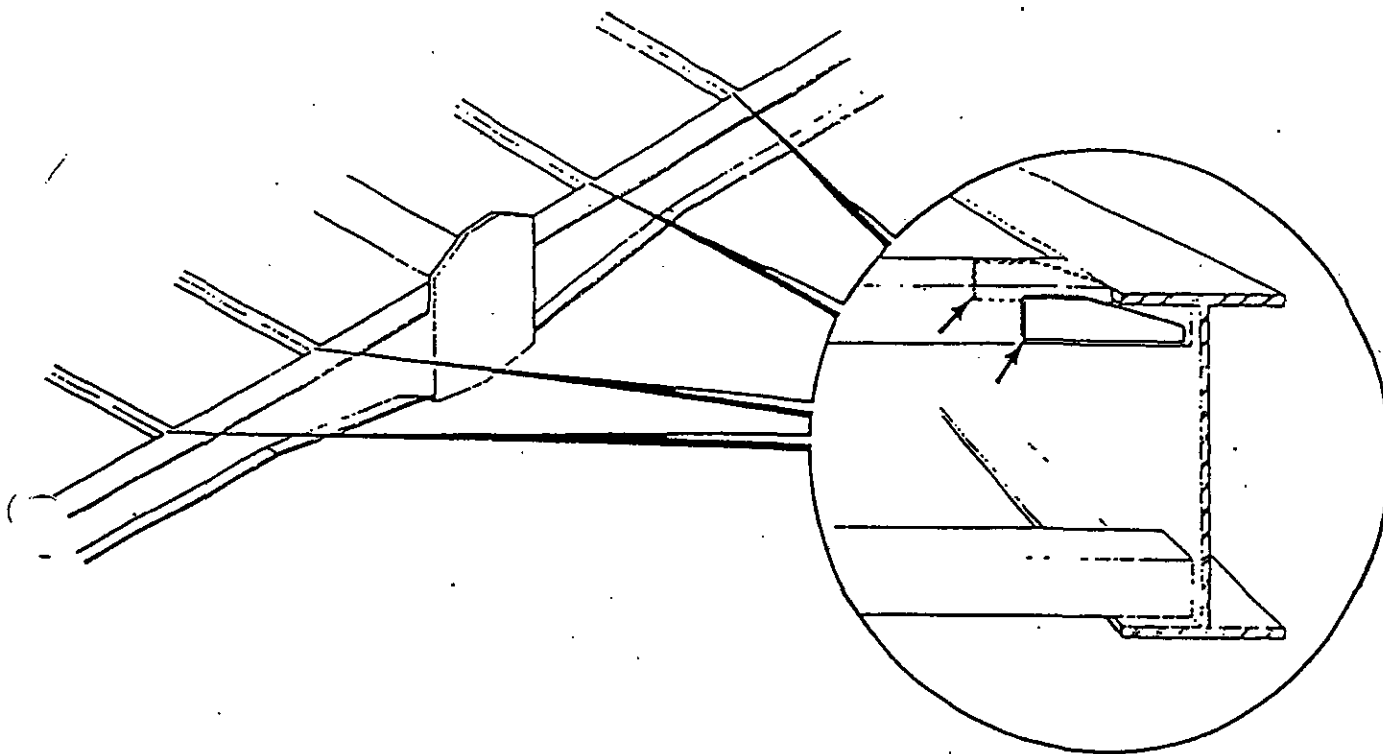
All work must be performed by qualified personnel, capable of understanding the function of the parts and their proper installation.

NOTICE

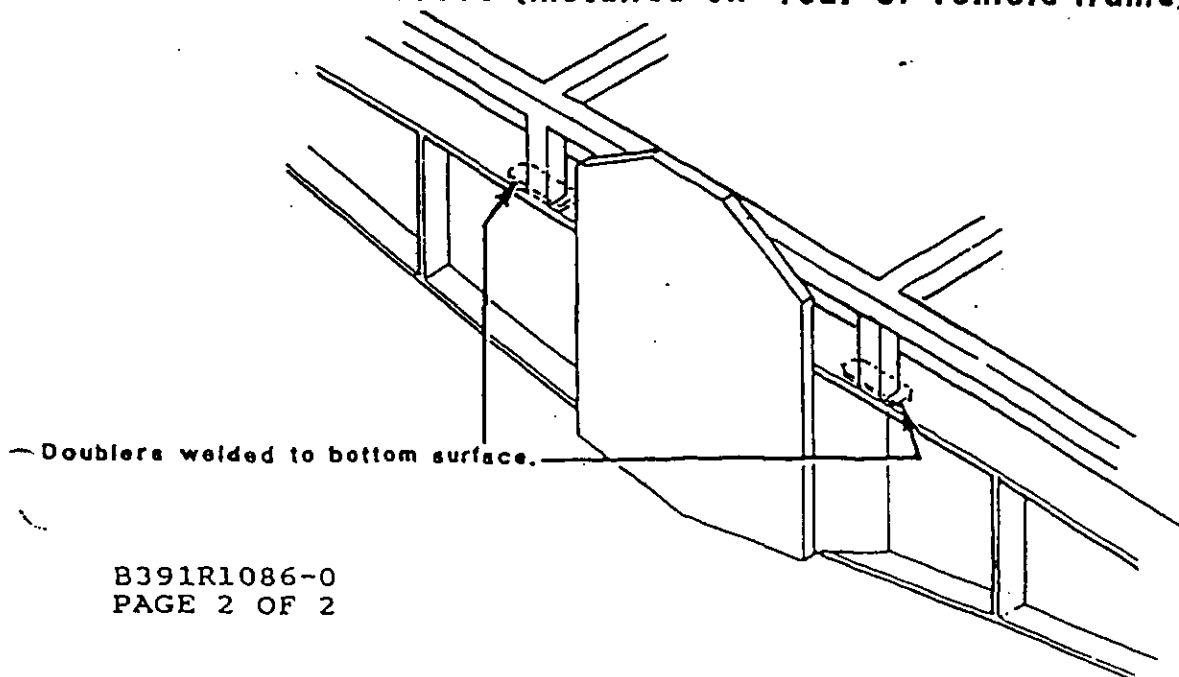
Use only those components authorized, specified or provided by Chance Rides, Inc.

Chance Rides, Inc. SPECIFICALLY DISCLAIMS ANY LIABILITY for losses associated with any unauthorized alterations and/or modifications or additions and installations of unauthorized components.

Kit No. K391R1086-0 (Installed on rear of vehicle frame)



Kit No. K391R1088 (Installed on rear of vehicle frame)





NUMBER: B391R1087-0

DATE: OCT. 12, 1990

SUPERSEDES:

America's Largest Manufacturer of Amusement Rides

SERVICE BULLETIN

Effective Serial Number: All Units - Chance Rides, Inc.

All Units - Chance Manufacturing Co., Inc.

Chance Rides, Inc. SPECIFICALLY DISCLAIMS ANY LIABILITY for losses associated with rides produced by Chance Manufacturing Company, Inc.

Ride: . FALLING STAR

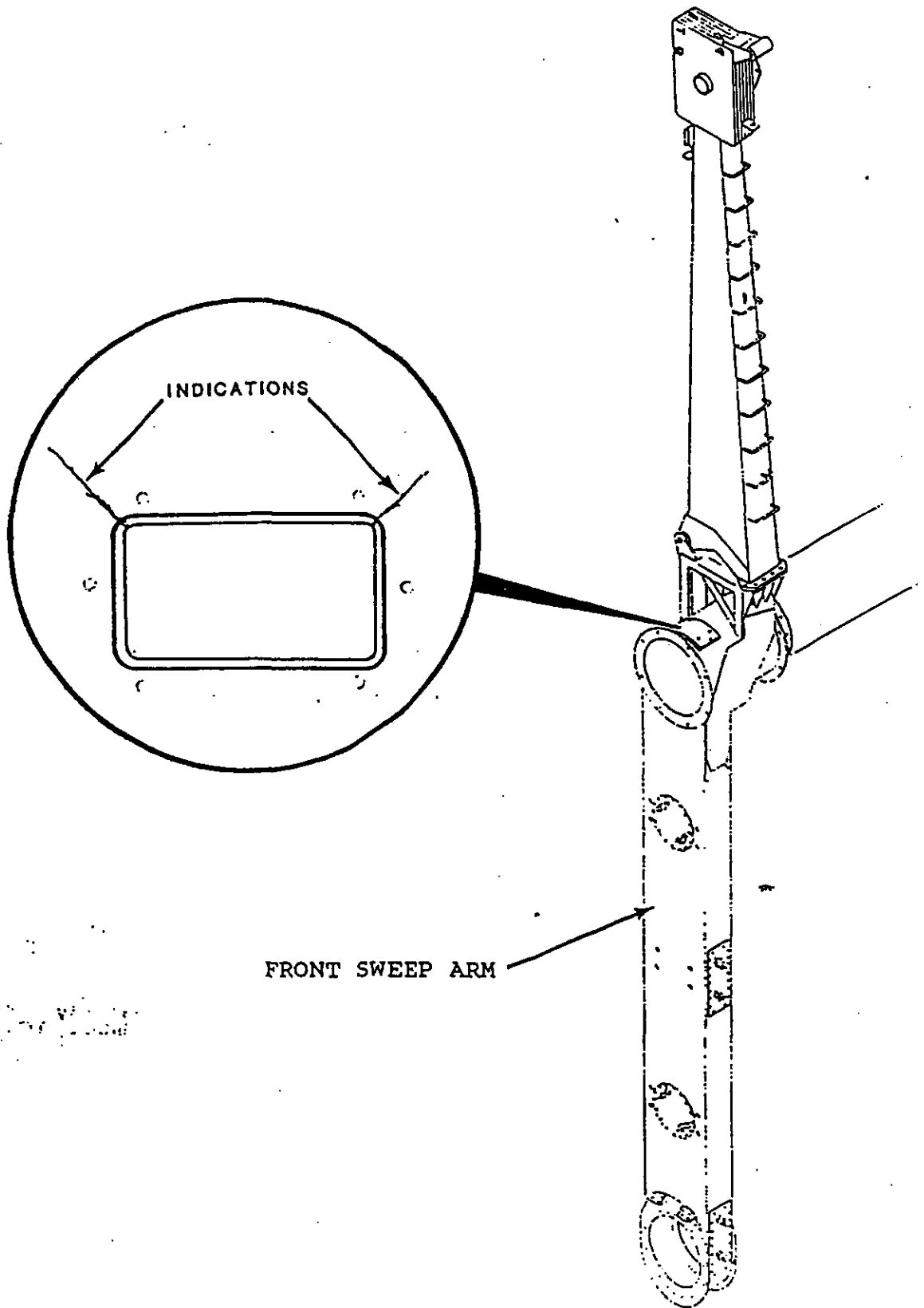
Subject: Inspection of Front Sweep Arm

Chance Rides, Inc. has become aware that it is possible for cracks to propagate from the corners of the inspection port which is located at the top of the front sweep arm on the FALLING STAR amusement ride. Chance Rides, Inc. requires all owners/operators to perform the following inspection at each set-up, or weekly, whichever occurs first.

Inspection Procedure:

1. Remove the cover from the inspection port.
2. Visually inspect around all four corners.
3. Using an inspection mirror and a flashlight, inspect around the inside of all four corners.
4. If any cracks are found, DO NOT ATTEMPT TO WELD OR REPAIR THE RIDE, contact Chance Rides Customer Service immediately. DO NOT OPERATE THE RIDE UNTIL CHANCE RIDES CUSTOMER SERVICE HAS BEEN NOTIFIED AND THE APPROVED REWORK COMPLETED.

All work must be performed by qualified personnel, capable of understanding the function of the parts and their proper installation. If there are any questions regarding the instruction of this inspection, contact the Chance Rides Customer Service Department.





NUMBER: B391R1100-0

DATE: MAY 10, 1991

SUPERSEDES:

SERVICE BULLETIN

Effective Serial Number: All Portable Units - Chance Rides, Inc.

Ride: FALLING STAR

Subject: Warning Decal/Tape

Chance Rides, Inc. has added decals and tape to the FALLING STAR to alert individuals of the possible pinch points between the trailers as they are drawn together during set-up. Chance Rides, Inc. requires all owners of portable FALLING STAR amusement rides to order and install these warning items as outlined in this bulletin. Failure to comply with this bulletin could result in injury to personnel. All personnel must be made aware of potential pinch points and instructed to stay clear of these areas.

All work must be performed by qualified personnel, capable of understanding the function of the parts and their proper installation.

NOTICE

Use only those components authorized, specified or provided by Chance Rides, Inc.

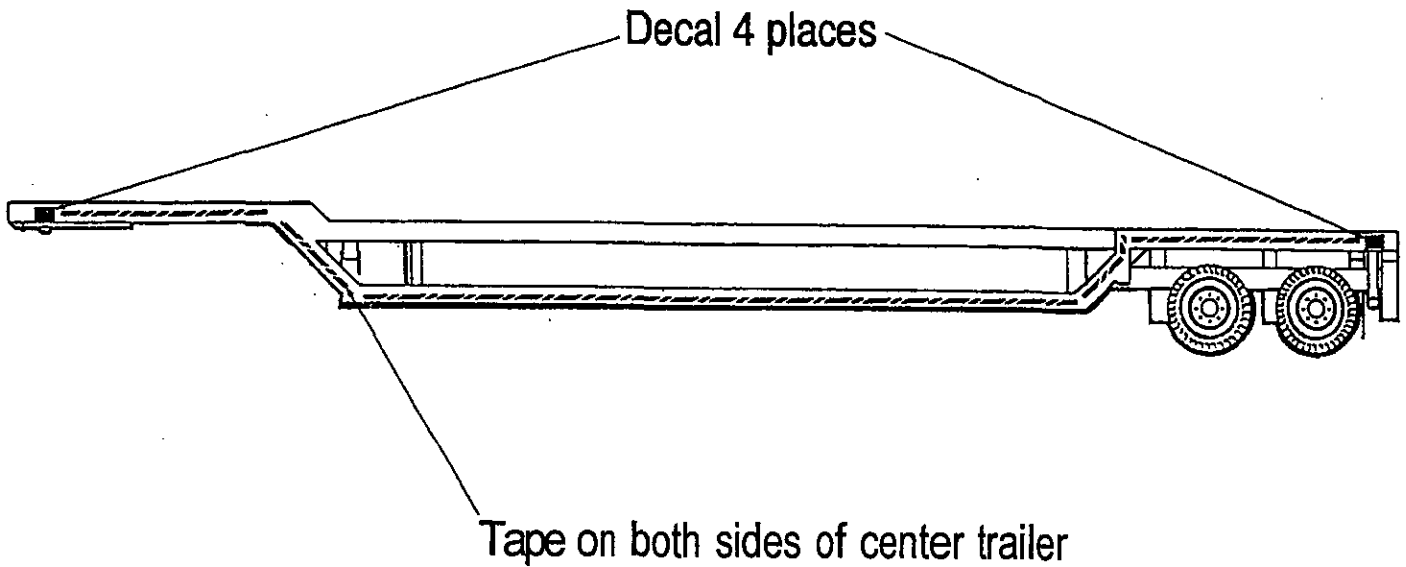
Chance Rides, Inc. SPECIFICALLY DISCLAIMS ANY LIABILITY for losses associated with any unauthorized alterations and/or modifications or additions and installations of unauthorized components.

PARTS LIST

<u>Item</u>	<u>Part Number</u>	<u>Description</u>	<u>Quantity</u>
1.	26762500	Decal	8
2.	45001500	Tape	4 rolls

INSTALLATION INSTRUCTIONS

1. Apply one decal (item #1) to each of the four inside corners of the center trailer.
2. Apply tape (item #2) to both sides of the center trailer at areas where trailers come together.





NUMBER: B391R1144-0

DATE: JAN. 7, 1994

SUPERSEDES:

SERVICE BULLETIN

Effective Serial Number: All Units

Ride: FALLING STAR

Subject: Drive Sprocket/NDT

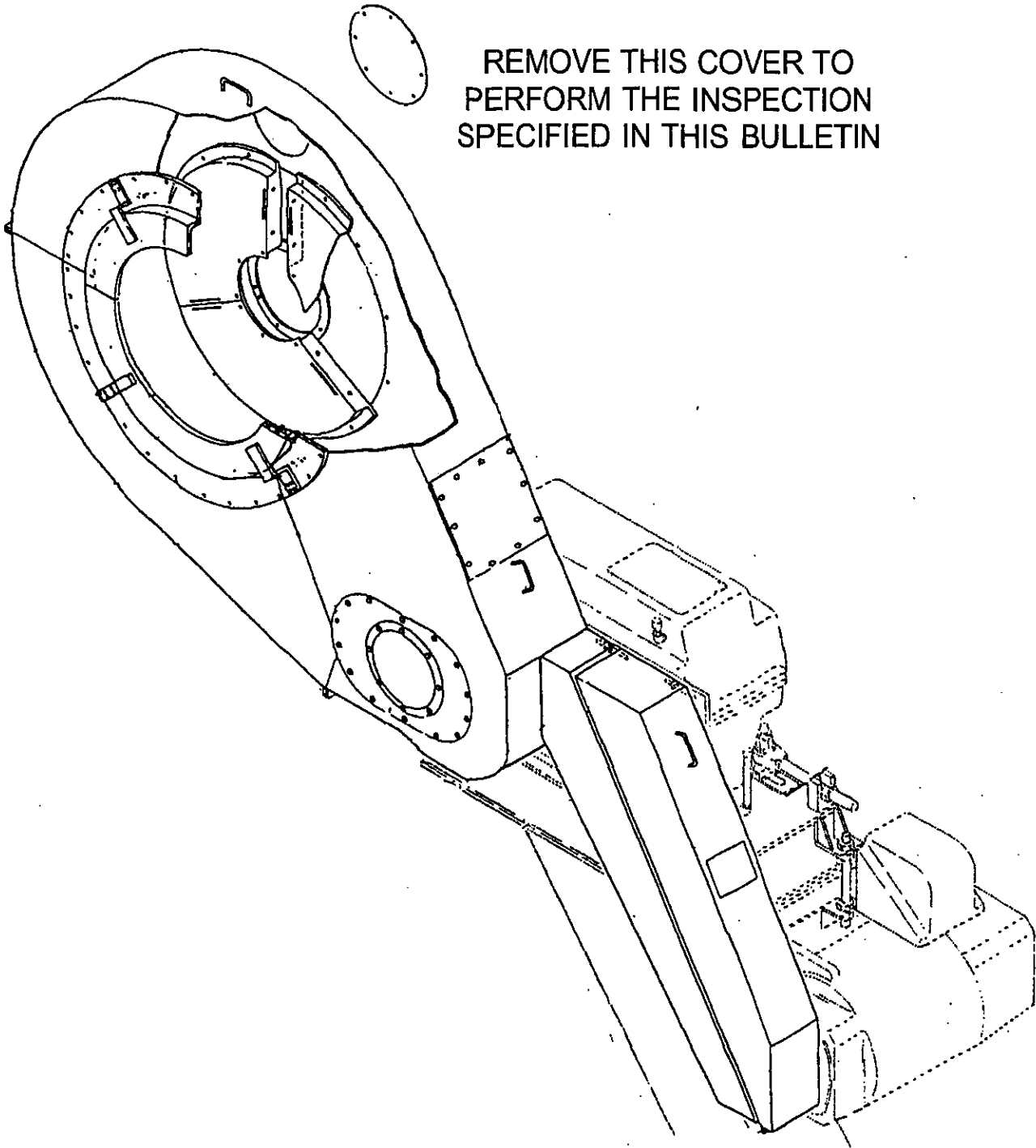
Chance Rides, Inc. has become aware that cracks can develop in the large chain drive sprocket on the FALLING STAR amusement ride. The cracks have appeared on the back side of the sprocket in the radius where the horizontal part of the sprocket is welded to the vertical part of the sprocket.

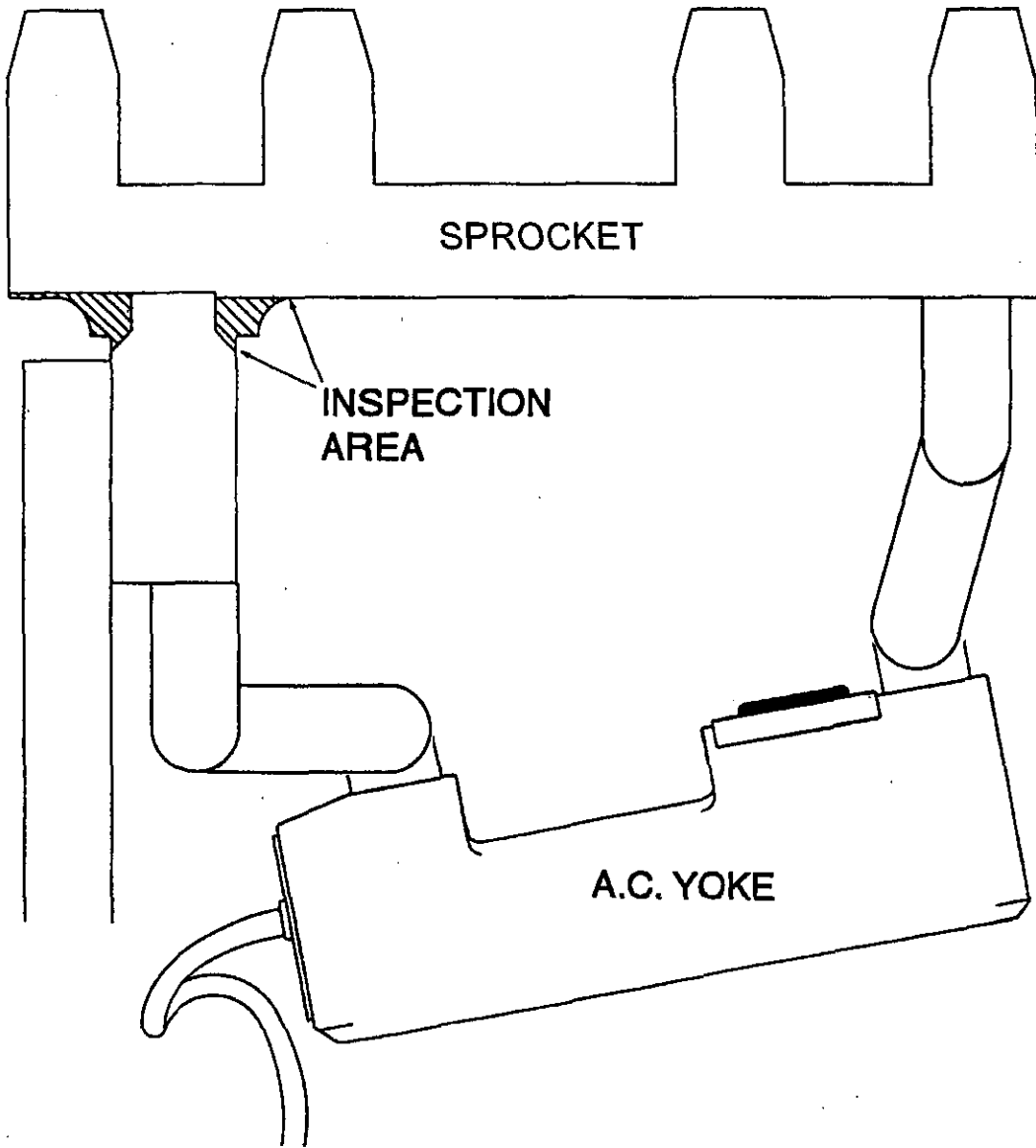
All owner/operators of the above noted rides are required to test the drive sprocket annually as described in this bulletin. All work must be performed by Level II or III persons who are certified in magnetic particle inspection. Testing can be done through the side inspection port without removing the chain case. Inspect a small portion at a time, rotating the ride after each inspection, until the entire circumference of the sprocket has been inspected.

The following magnetic particle inspection technique meets the requirements of ASTM E709.

1. PRE-CLEAN:
 - * Clean the weld radius area of the drive sprocket as shown in the illustrations in this bulletin to remove oils and other contaminants.
2. MAGNETIZATION PROCESS:
 - * Using an A.C. yoke with articulating legs, position yoke over weld so flux field is 90° to weld as shown in illustration.
 - * Use continuous method for applying particles and current.
3. INSPECTION:
 - * Thoroughly inspect all weld areas for linear indications.
 - * If any linear indications are found, **do not operate the ride**, contact the Chance Rides, Inc. Customer Service Department.
 - * Fill out test report with results and send a copy to Chance Rides, Inc.
4. POST-CLEAN:
 - * Remove magnetic particles from weld area.

REMOVE THIS COVER TO
PERFORM THE INSPECTION
SPECIFIED IN THIS BULLETIN







NUMBER: B391R1145-0

DATE: JAN. 7, 1994

SUPERSEDES:

SERVICE BULLETIN

Effective Serial Number: All Units

Ride: FALLING STAR

Subject: Gearbox Inspection

Chance Rides, Inc. has become aware that some gears in the gearboxes on the above noted amusement rides have shown wear after having been in service for five years or more. Chance Rides, Inc. has established an exchange program for gearboxes that exhibit excessive wear and require replacing.

All owner/operators of the above noted FALLING STAR rides are required to inspect the gearboxes as outline in this bulletin.

Inspection Procedure:

1. Remove inspection plate from top of gearbox.
2. Slowly rotate gears while visually inspecting gears for pitting, broken teeth, and/or uneven wear.
3. Identify large output shaft style, see illustration.

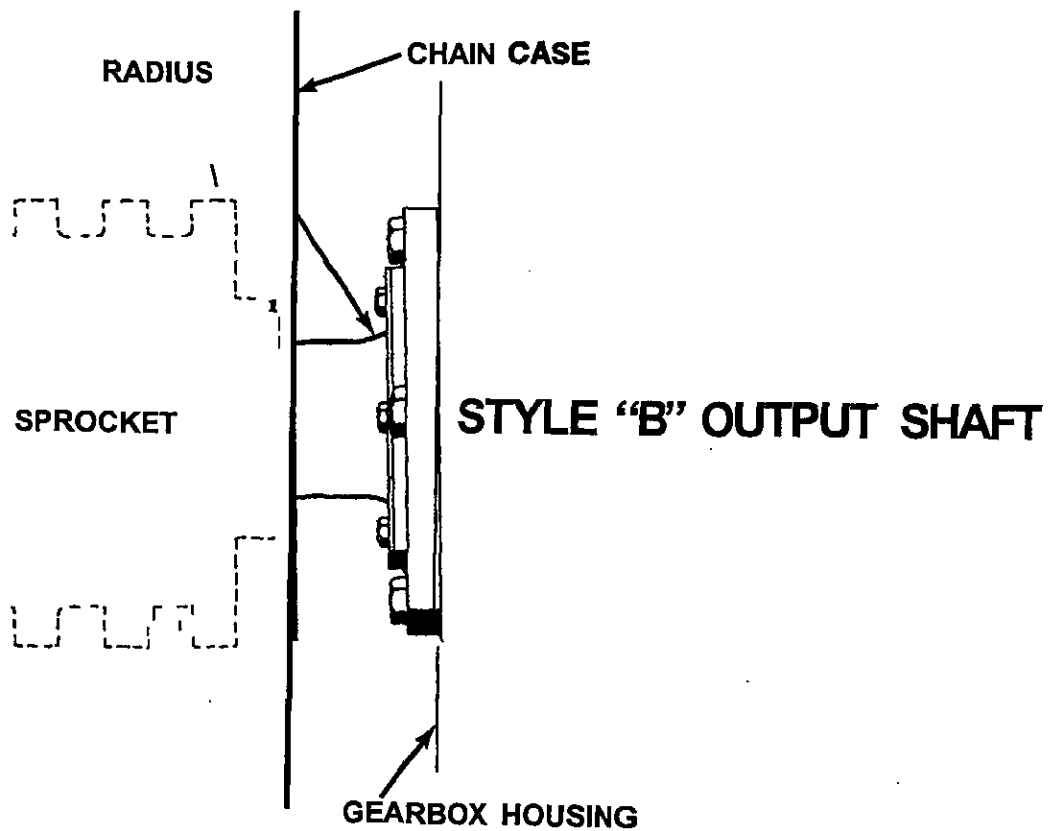
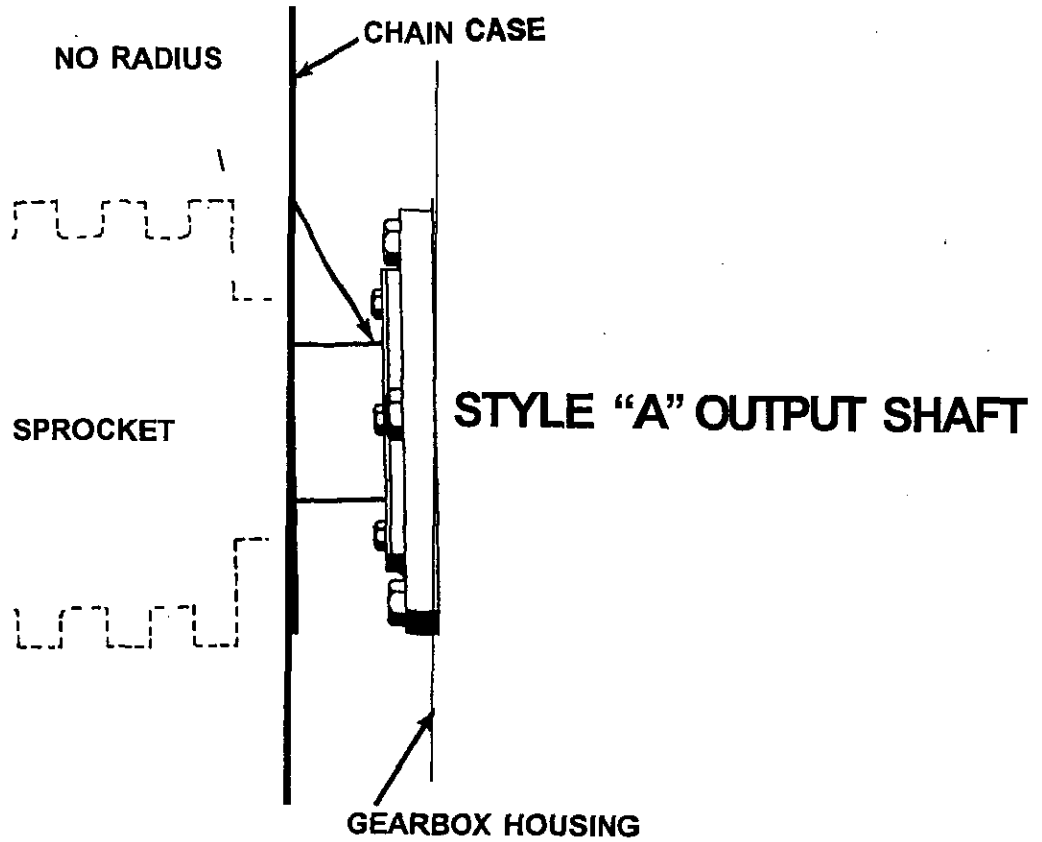
In an effort to better serve all FALLING STAR owners Chance Rides Inc. requires all FALLING STAR owners to complete and return the attached Certificate Of Compliance, within fifteen (15) days from receipt of this bulletin, including the gearbox serial number and output shaft style.

All work must be performed by qualified personnel, capable of understanding the function of the parts and their proper installation.

NOTICE

Use only those components authorized, specified or provided by Chance Rides, Inc.

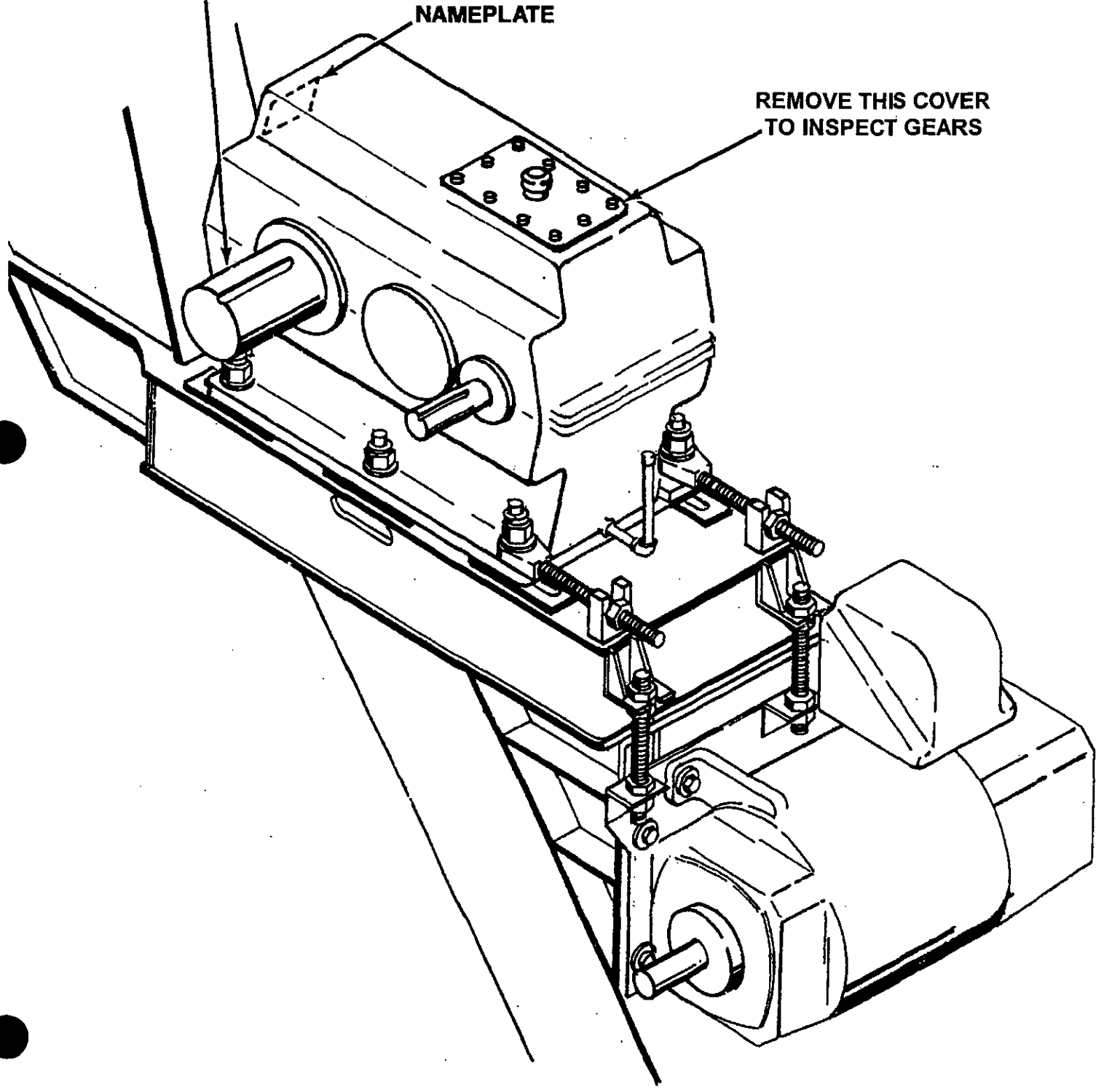
Chance Rides, Inc. SPECIFICALLY DISCLAIMS ANY LIABILITY for losses associated with any unauthorized alterations and/or modifications or additions and installations of unauthorized components.



INSPECT THIS
SHAFT TO IDENTIFY
STYLE "A" OR STYLE "B"

NAMEPLATE

REMOVE THIS COVER
TO INSPECT GEARS





NUMBER: B090R1169-A

DATE: APRIL 21, 1995

SUPERSEDES: B090R1169-0

SERVICE BULLETIN

Effective Serial Number: All Units - Chance Rides, Inc.
All Units - Chance Manufacturing Co., Inc.

Chance Rides, Inc. SPECIFICALLY DISCLAIMS ANY LIABILITY for losses associated with rides produced by Chance Manufacturing Company, Inc.

Ride: FALLING STAR, SKYDIVER, TRABANT Subject: Safe Rider Policy
WIPEOUT AND ZIPPER

This Chance Rides, Inc. Service Bulletin supersedes Service Bulletin number B090R1169-0. All copies of bulletin number B090R1169-0 should be destroyed.

Chance Rides, Inc. anticipates that it may be possible for a rider sitting in a seat on one of the above noted amusement rides to intentionally turn sideways in the seat, removing their legs from underneath the lap bar. If a rider does this, they are not properly secured and personal injury could result. In order to reduce the possibility of an unsafe condition from occurring, Chance Rides, Inc. highly recommends all owners/operators of the above noted amusement rides to adopt and enforce an operational policy that would inhibit such misuse of the ride.

One such policy which can be used to help inhibit the misuse of the amusement ride is a "no single rider" policy. Chance Rides, Inc., however, recognizes the fact that this type of policy may not be practical or suitable in all circumstances. It is therefore up to the individual owner/operator to develop their own operational policy which best meets their own needs while maintaining the safe operation of the ride.

All owner/operators must realize that horseplay or other behavior on the part of the rider, that leads to an unsafe condition must not be tolerated. All operators of amusement rides must follow the manufacturer's guidelines in giving their pre-operational instructions and warnings and then giving their undivided attention to the ride and its passengers at all times the ride is in motion. As stated in the operation/maintenance manuals, the operator must immediately stop the ride if anyone is in a dangerous or unsafe position on the ride.



CHANCE RIDES MANUFACTURING, INC.
4200 Walker
Wichita, KS 67277-2328
U.S.A.
Phone: 1-316-942-7411 • FAX: 1-316-942-2012
Website: www.rides.com
E-mail: rides@rides.com

Bulletin No:	B391CRM119-0
Release Date:	July 18, 2003
Effective Date:	Immediately
Supersedes:	N/A
Completion Date:	Immediately
Page:	1 of 2

SERVICE BULLETIN

Ride Manufacturer: CHANCE RIDES, INC.
CHANCE MANUFACTURING CO., INC.

Affected Production Dates: All

Ride Name: FALLING STAR

Affected Serial Nos.: All Units

Model No.: 391

Abstract of Issue:
Sweep Arm Inspection

Reason For Release:

Chance Rides Manufacturing, Inc. has become aware of cracks in the sweep arm of at least one FALLING STAR amusement ride. Failure of a sweep arm could result in serious injury to passengers and/or bystanders.

Action to be Taken:

Chance Rides Manufacturing, Inc. requires all owner/operators of the above noted FALLING STAR amusement rides to cease operation of the ride until the inspection described in this bulletin is performed. If any indications are found, contact the Customer Service Department at Chance Rides Manufacturing, Inc. immediately for instructions on further action to be taken.

DO NOT ATTEMPT TO WELD OR OTHERWISE REPAIR THE SWEEP ARMS EXCEPT AS SPECIFICALLY INSTRUCTED BY CHANCE RIDES MANUFACTURING, INC.

If no indications are found, operation of the ride can resume. However, both the front and rear sweep arms must be inspected as described ANNUALLY.

All work must be performed by qualified personnel, capable of understanding the function of the parts and their proper installation. Use only those components authorized, specified or provided by Chance Rides Manufacturing, Inc. All applicable OSHA safety standards and safe industry practices must be observed.

Observe all safety information contained in the manufacturer's manuals. Make available this bulletin and all related technical information to personnel using the equipment.

Chance Rides Manufacturing, Inc. issues notifications for the benefit of owners of amusement rides manufactured by Chance Rides Manufacturing, Inc. As a service to the industry, and in the interest of employee and public safety, Chance Rides Manufacturing, Inc. also issues notifications for the benefit of owners of amusement ride equipment for which the manufacturer no longer exists, such as the Allan Herschell Company, Chance Manufacturing Co., Inc., Chance Rides, Inc., etc. In doing so, Chance Rides Manufacturing, Inc. does not assume liability for losses associated with amusement ride equipment built by manufacturers other than Chance Rides Manufacturing, Inc.



CHANCE RIDES MANUFACTURING, INC.
4200 Walker
Wichita, KS 67277-2328
U.S.A.
Phone: 1-316-942-7411 • FAX: 1-316-942-2012
Website: www.rides.com
E-mail: rides@rides.com

Bulletin No:	B391CRM119-0
Release Date:	July 18, 2003
Effective Date:	Immediately
Supersedes:	N/A
Completion Date:	Immediately
Page:	2 of 2

Ride Manufacturer: CHANCE RIDES, INC.
CHANCE MANUFACTURING CO., INC.

Affected Production Dates: All

Ride Name: FALLING STAR

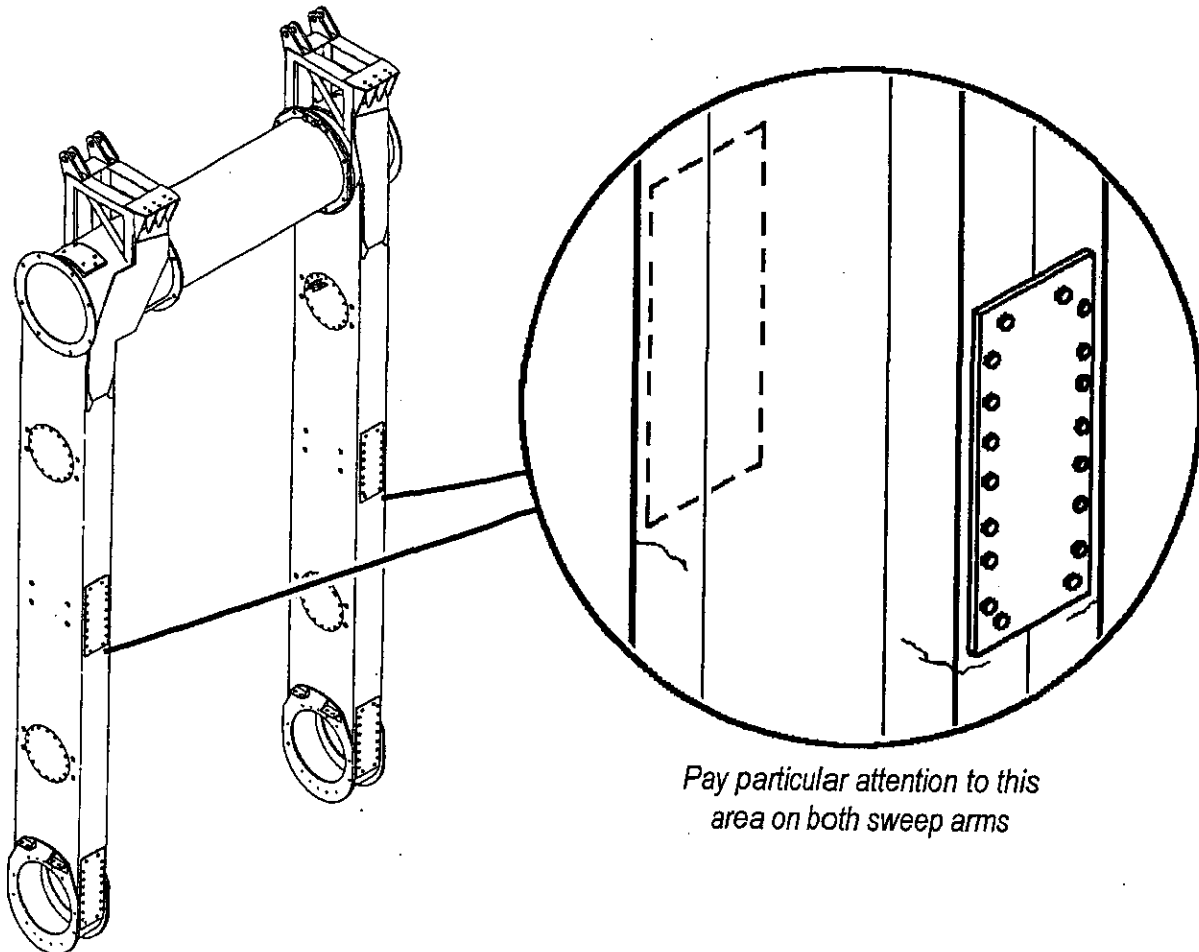
Affected Serial Nos.: All Units

Model No.: 391

Detail of Issue

Sweep Arm Inspection Procedure

Visually inspect both the front and rear sweep arms, paying particular attention to the areas indicated in the following illustration. Look for indications in the steel angles at all four corners, and check the welded joints for indications in the welds and the parent metal. If any indication is found, **DO NOT OPERATE THE RIDE**. Contact the Customer Service Department at Chance Rides Manufacturing, Inc. for specific instructions on further action to be taken. This is an annual inspection.



Pay particular attention to this area on both sweep arms