



CHANCE RIDES MANUFACTURING, INC.
4200 Walker
Wichita, KS 67277-2328
U.S.A.
Phone: 1-316-942-7411 • FAX: 1-316-942-2012
Website: www.rides.com
E-mail: rides@rides.com

Bulletin No:	P400CRM137-0
Release Date:	May 26, 2005
Effective Date:	May 26, 2005
Supersedes:	N / A
Completion Date:	N/A
Page:	1 of 2

NOTIFICATION

Ride Manufacturer: CHANCE RIDES, INC. Affected Production Dates: All

Ride Name: GIANT GONDOLA WHEEL Affected Serial Nos.: All

Model No.: 400

Abstract of Issue:
Drive Rim Reinforcement Kit

Reason For Release:

After years of service, the drive rims on the GIANT GONDOLA WHEEL can develop cracks near the sweep ends. Depending upon the severity of damage, a repair can sometimes be specified by Chance Rides Manufacturing, Inc. If damage and/or past repairs are extensive, repair is not possible, and the part must be replaced.

Chance Rides Manufacturing, Inc. has developed a reinforcement plate which can be installed on structurally sound drive rims to extend their service life.

Action to be Taken:

Owners of the above noted GIANT WHEEL amusement rides can, at their option, install the reinforcement plates on the drive rims. The ride is acceptable and safe to operate with or without the reinforcement plates, however, if the reinforcement plates are installed, all drive rims on that ride must have them.

INSTALLATION OF THIS KIT IS NOT MANDATORY. It is intended only to reduce downtime and maintenance costs associated with repairing and/or replacing drive rims.

Order the Drive Rim Reinforcement Plate Kit, part number K400CRM137-1, which includes all parts necessary for one ride. Detailed installation instructions are included with the kit.

All work must be performed by qualified personnel, capable of understanding the function of the parts and their proper installation. Use only those components authorized, specified or provided by Chance Rides Manufacturing, Inc. All applicable OSHA safety standards and safe industry practices must be observed.

Observe all safety information contained in the manufacturer's manuals. Make available this bulletin and all related technical information to personnel using the equipment.

Chance Rides Manufacturing, Inc. issues notifications for the benefit of owners of amusement rides manufactured by Chance Rides Manufacturing, Inc. As a service to the industry, and in the interest of employee and public safety, Chance Rides Manufacturing, Inc. also issues notifications for the benefit of owners of amusement ride equipment for which the manufacturer no longer exists, such as the Allan Herschell Company, Chance Manufacturing Co., Inc., Chance Rides, Inc., etc. In doing so, Chance Rides Manufacturing, Inc. does not assume liability for losses associated with amusement ride equipment built by manufacturers other than Chance Rides Manufacturing, Inc.



CHANCE RIDES MANUFACTURING, INC.
4200 Walker
Wichita, KS 67277-2328
U.S.A.
Phone: 1-316-942-7411 • FAX: 1-316-942-2012
Website: www.rides.com
E-mail: rides@rides.com

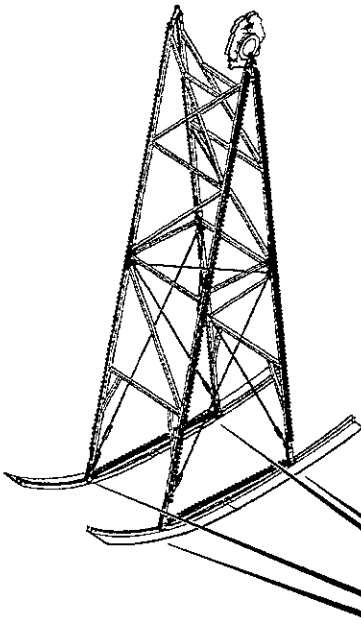
Bulletin No:	P400CRM137-0
Release Date:	May 26, 2005
Effective Date:	May 26, 2005
Supersedes:	N / A
Completion Date:	N/A
Page:	2 of 2

Ride Manufacturer: CHANCE RIDES, INC. Affected Production Dates: All

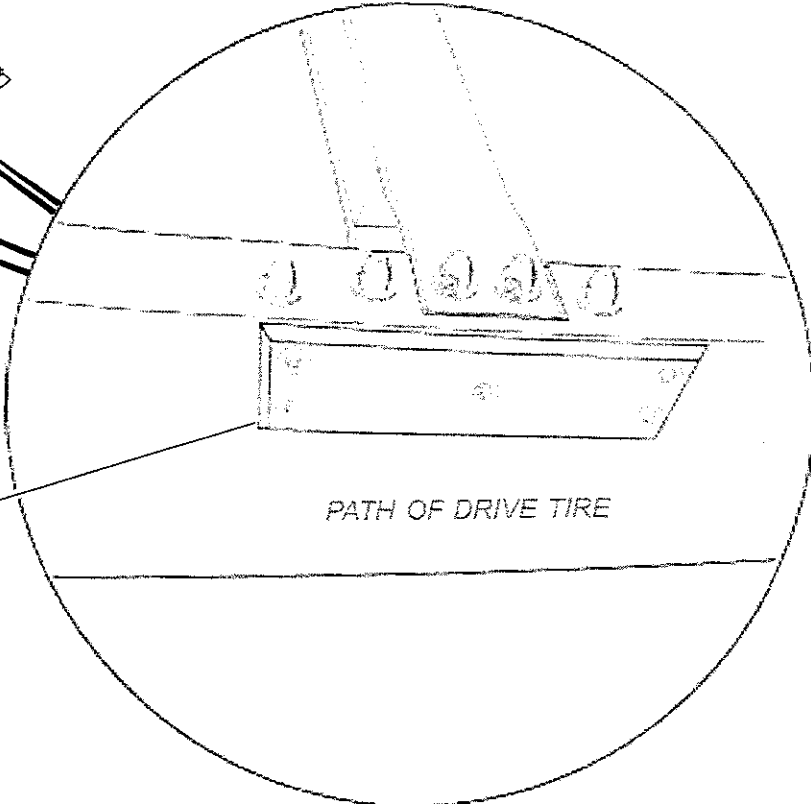
Ride Name: GIANT GONDOLA WHEEL Affected Serial Nos.: All

Model No.: 400

Detail of Issue (continued):



Drive Rim Reinforcement Plate Kit
Part Number K400CRM137-1



Reinforcement plates and fasteners for all 40 drive rims are included in kit

PATH OF DRIVE TIRE