



**CHANCE RIDES MANUFACTURING, INC.**  
4200 Walker  
Wichita, KS 67277-2328  
U.S.A.  
Phone: 1-316-942-7411 • FAX: 1-316-942-7416  
Website: [www.rides.com](http://www.rides.com)  
E-mail: [rides@rides.com](mailto:rides@rides.com)

Bulletin No:	A414CRM107-0
Release Date:	July 19, 2002
Effective Date:	Immediately
Supersedes:	N/A
Completion Date:	N/A
Page:	1 of 5

# SAFETY ALERT

Ride Manufacturer: CHANCE RIDES, INC.      Affected Production Dates: All

Ride Name: INVERTER (Portable Model Only.      Affected Serial Nos.: All Units  
Park Model Rides are not affected)

Model No.: 414

Abstract of Issue:  
Main Drive Gearbox Recall

Reason For Release:  
Chance Rides Manufacturing, Inc. has been contacted by Comer Industries, Inc., the U.S. distributor of the main drive gearboxes incorporated in the INVERTER amusement rides built by Chance Rides, Inc. in 1999 and 2000 (refer to the Comer correspondence on page 4 of this bulletin). There is a concern that a manufacturing defect has occurred in some of the supplied gearboxes creating the potential for gearbox output shaft failure and possible damage or personal injury.

Chance Rides Manufacturing, Inc., having acquired INVERTER owner information from Chance Rides, Inc. (through the bankruptcy of Chance Rides, Inc.), is assisting Comer in notifying Inverter owners by this bulletin and developing a corrective action plan. The plan includes a test procedure to identify the affected gearboxes and a repair program to be administered by Chance Rides Manufacturing, Inc. for Comer Industries, Inc.

*NOTE: Park model rides which have the main drive gearboxes located inside the tower are not affected by this bulletin.*

Action to be Taken:  
Chance Rides Manufacturing, Inc. requires all owner/operators of the above noted INVERTER amusement rides to **CEASE OPERATION IMMEDIATELY**. Failure to do so can result in personal injury.

All owner/operators must complete the gearbox identification procedure, then fill out and return the Certificate of Compliance form on page 5 to Chance Rides Manufacturing.

Chance Rides Manufacturing, Inc. issues notifications for the benefit of owners of amusement rides manufactured by Chance Rides Manufacturing, Inc. As a service to the industry, and in the interest of employee and public safety, Chance Rides Manufacturing, Inc. also issues notifications for the benefit of owners of amusement ride equipment for which the manufacturer no longer exists, such as the Allan Herschell Company, Chance Manufacturing Co., Inc., Chance Rides, Inc., etc. In doing so, Chance Rides Manufacturing, Inc. does not assume liability for losses associated with amusement ride equipment built by manufacturers other than Chance Rides Manufacturing, Inc.



**CHANCE RIDES MANUFACTURING, INC.**  
4200 Walker  
Wichita, KS 67277-2328  
U.S.A.  
Phone: 1-316-942-7411 • FAX: 1-316-942-7416  
Website: [www.rides.com](http://www.rides.com)  
E-mail: [rides@rides.com](mailto:rides@rides.com)

Bulletin No:	A414CRM107-0
Release Date:	July 19, 2002
Effective Date:	Immediately
Supersedes:	N/A
Completion Date:	N/A
Page:	2 of 5

Ride Manufacturer: CHANCE RIDES, INC.      Affected Production Dates: All

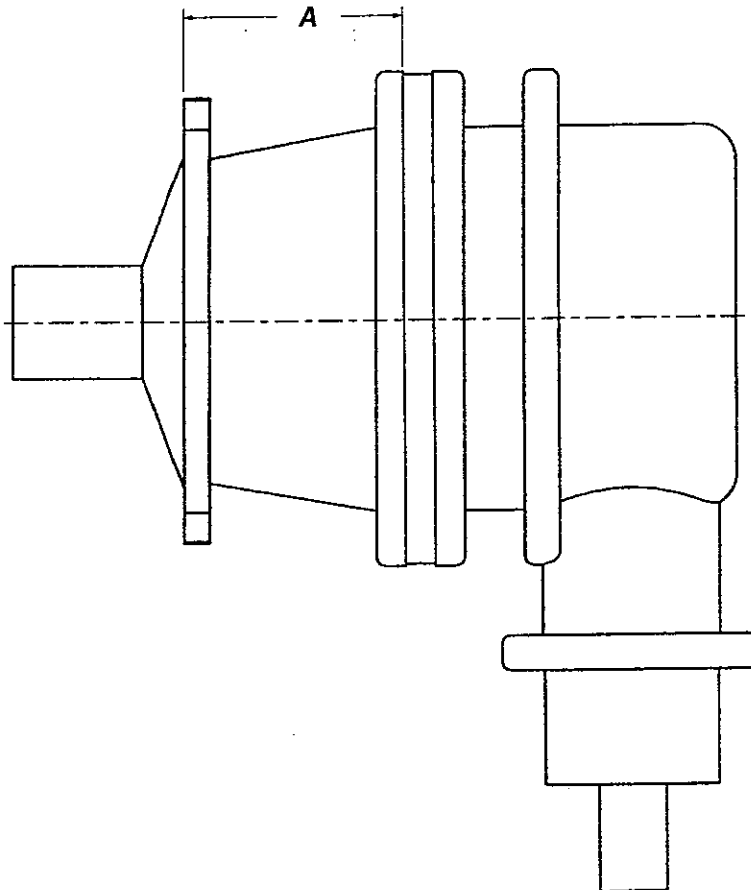
Ride Name: INVERTER (Portable Model Only. Park Model Rides are not affected)      Affected Serial Nos.: All Units


Model No.: 414

Detail of Issue (continued):

**Gearbox Identification**

Identify BOTH main drive gearboxes to determine how this bulletin affects your specific ride. The gearboxes can be identified by measuring the distance between the flanges (Dimension "A") on the output section as shown in the following illustration.



	<b>CHANCE RIDES MANUFACTURING, INC.</b> <b>4200 Walker</b> <b>Wichita, KS 67277-2328</b> <b>U.S.A.</b> <b>Phone: 1-316-942-7411 • FAX: 1-316-942-7416</b> <b>Website: www.rides.com</b> <b>E-mail: rides@rides.com</b>	Bulletin No: A414CRM107-0
		Release Date: July 19, 2002
		Effective Date: Immediately
		Supersedes: N/A
		Completion Date: N/A
		Page: 3 of 5
Ride Manufacturer: CHANCE RIDES, INC.      Affected Production Dates: All		
Ride Name: INVERTER (Portable Model Only. Park Model Rides are not affected)      Affected Serial Nos.: All Units		
Model No.: 414		
Detail of Issue (continued):		
<ul style="list-style-type: none"> <li>• <b>If dimension "A" on BOTH GEARBOXES is 5-5/8" (143 mm) :</b>  The ride can continue to operate. Fill out and return the Certificate of Compliance on page 5 of this bulletin. Fax the form to Chance Rides Manufacturing, Inc. at (316) 942-2012.</li>   <li>• <b>If dimension "A" on EITHER OR BOTH GEARBOXES is 7-1/2" (190 mm) :</b>  <b>DO NOT OPERATE THE RIDE UNTIL ADVISED BY CHANCE RIDES MANUFACTURING, INC.</b> Fill out and return the Certificate of Compliance on page 5 of this bulletin. Fax the form to Chance Rides Manufacturing, Inc. at (316) 942-2012. Information on inspection and repair of the gearboxes by Comer Industries, Inc. will be provided. <b>DO NOT SHIP GEARBOXES</b> until specific instructions are provided by Chance Rides Manufacturing, Inc.</li> </ul>		
<p>All work must be performed by qualified personnel, capable of understanding the function of the parts and their proper installation. Use only those components authorized, specified or provided by Chance Rides Manufacturing, Inc. All applicable OSHA safety standards and safe industry practices must be observed.</p> <p>Observe all safety information contained in the manufacturer's manuals. Make available this bulletin and all related technical information to personnel using the equipment.</p>		



**CHANCE RIDES MANUFACTURING, INC.**  
 4200 Walker  
 Wichita, KS 67277-2328  
 U.S.A.  
 Phone: 1-316-942-7411 • FAX: 1-316-942-7416  
 Website: [www.rides.com](http://www.rides.com)  
 E-mail: [rides@rides.com](mailto:rides@rides.com)


Bulletin No:	A414CRM107-0
Release Date:	July 19, 2002
Effective Date:	Immediately
Supersedes:	N/A
Completion Date:	N/A
Page:	4 of 5

Ride Manufacturer: CHANCE RIDES, INC.      Affected Production Dates: All

Ride Name: INVERTER (Portable Model Only. Park Model Rides are not affected)      Affected Serial Nos.: All Units

Model No.: 414

Detail of Issue (continued):



18 July 2002

Chance Rides Manufacturing, Inc

Gentlemen:

Per our telephone conversation this morning you are aware that the analysis of the output shafts from the first two failed PGA1002PFS drives you recently returned to us indicates that we have a problem with the metallurgy. Our manufacturing facility in Italy is in the process of determining how many of these drives are affected.

In order to avoid any further shaft failures resulting in incidents with the rides and possible injury, we require that you cease operation of all of the PGA1002 planetary drives including units built as new and drives that have received the modification to the PFS bearing support. Use of these drives may resume once the defective shafts have been identified and replaced.

Best regards:

Mike Bolling PE  
 Engineering Manager  
 Comer Industries, Inc.



**CHANCE RIDES MANUFACTURING, INC.**  
4200 Walker  
Wichita, KS 67277-2328  
U.S.A.  
Phone: 1-316-942-7411 • FAX: 1-316-942-7416  
Website: [www.rides.com](http://www.rides.com)  
E-mail: [rides@rides.com](mailto:rides@rides.com)

Bulletin No: A414CRM107-0  
Release Date: July 19, 2002  
Effective Date: Immediately  
Supersedes: N/A  
Completion Date: N/A  
Page: 5 of 5

Ride Manufacturer: CHANCE RIDES, INC. Affected Production Dates: All

Ride Name: INVERTER (Portable Model Only. Park Model Rides are not affected) Affected Serial Nos.: All Units

Model No.: 414

Detail of Issue (continued):

### Certificate of Compliance

After both gearboxes have been identified, fill out the following and fax to Chance Rides Manufacturing, Inc. at (316) 942-2012.

- Ride serial number \_\_\_\_\_
- Name of ride owner's company \_\_\_\_\_
- Name of company contact person \_\_\_\_\_
- Telephone number \_\_\_\_\_  
(cell phone or other which is answered at all times)
- Fax number \_\_\_\_\_
- E-mail address \_\_\_\_\_

\*Travelling carnivals, also please provide your route for the next 4 weeks

- Dimension "A" measurement on both gearboxes \_\_\_\_\_  
\_\_\_\_\_
- Serial numbers of both gearboxes \_\_\_\_\_  
\_\_\_\_\_

\_\_\_\_\_  
Signature of person performing the inspection

\_\_\_\_\_  
Date