



CHANCE RIDES, INC.
4219 Irving
Wichita, KS 67277-2328
U.S.A.
Phone: 1-800-242-6231 • FAX: 1-316-942-7416
Website: www.rides.com

BulletinNo:	B414R1236-0
Release Date:	August 1, 2000
Effective Date:	August 1, 2000
Supersedes:	N/A
CompletionDate:	September 1, 2000
Page:	1 of 3

SERVICE BULLETIN

Ride Manufacturer: CHANCE RIDES, INC. Affected Production Dates: All

Ride Name: INVERTER (Portable Models Only) Affected Serial Nos.: All Units

Model No.: 414

Abstract of Issue:
Vehicle Casters

Reason For Release:

Chance Rides, Inc. has become aware of difficulties in moving the vehicle during set-up and tear-down of the above noted INVERTER amusement rides. These difficulties result from a combination two factors:

- Binding in the casters after extended use
- Caster movement during transport of the ride

A new caster assembly has been developed which will provide better operation and longer service life. Additionally, a caster stop has been developed to lock the casters and adjusting screw during transport.

Action to be Taken:

All owner/operators of the above noted INVERTER amusement rides are required to replace the existing casters with the new design and install the caster locks as described on the following pages of this bulletin.

Order the following parts to rework one complete ride:

<u>Part Number</u>	<u>Description</u>	<u>Qty. Req'd Per Ride</u>
414-0914A-002	VEHICLE CASTER ASSEMBLY	4
414-0926-003	STOP - VEHICLE CASTER	4
CSN10A03-09	PIN - TAPER (1/2 X 3-5/16" G/L)	4
65190000	HAIRPIN (1/8)	4

The parts will be provided at no charge for the above noted units if ordered within 30 days of the release date of this bulletin.



CHANCE RIDES, INC.

4219 Irving
Wichita, KS 67277-2328
U.S.A.

Phone: 1-800-242-6231 • FAX: 1-316-942-7416
Website: www.rides.com

BulletinNo: B414R1236-0

Release Date: August 1, 2000

Effective Date: August 1, 2000

Supersedes: N/A

Completion Date: September 1, 2000

Page: 2 of 3

Ride Manufacturer: CHANCE RIDES, INC. Affected Production Dates: All

Ride Name: INVERTER (Portable Models Only) Affected Serial Nos.: All Units

Model No.: 414

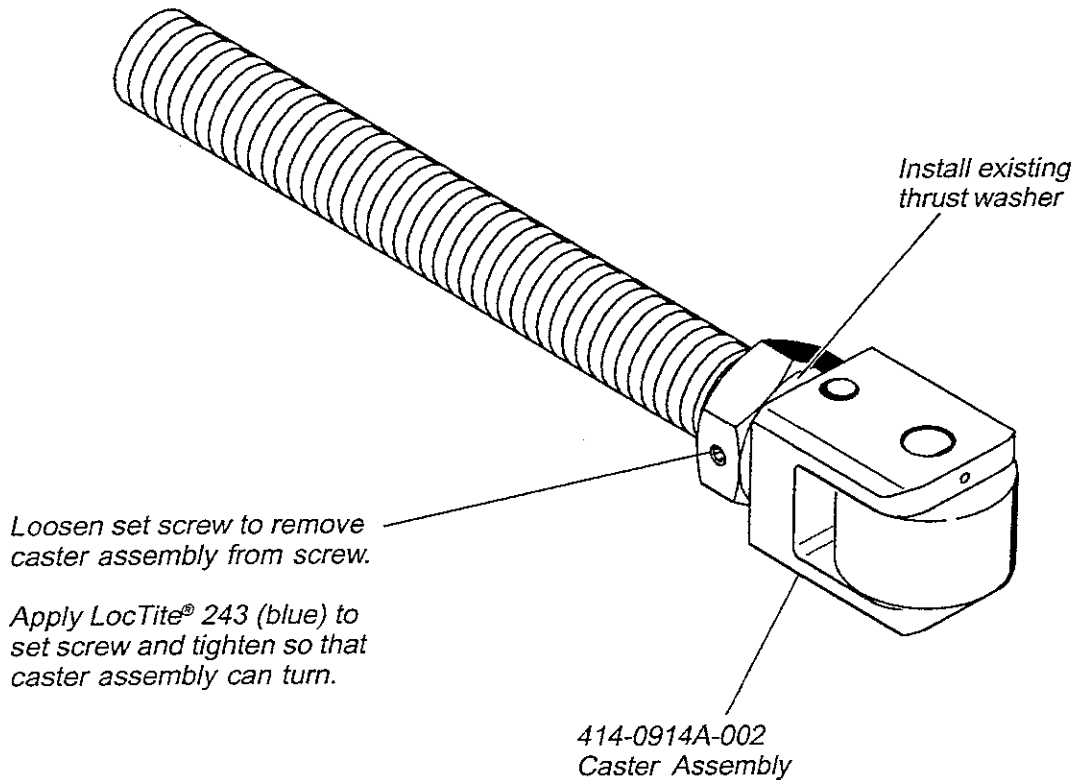
Detail of Issue

All work must be performed by qualified personnel, capable of understanding the function of the parts and their proper installation.

NOTICE

Use only those components authorized, specified or provided by Chance Rides, Inc.

Chance Rides, Inc. **SPECIFICALLY DISCLAIMS ANY LIABILITY** for losses associated with any unauthorized alterations and/or modifications or additions and installations of unauthorized components.





CHANCE RIDES, INC.
4219 Irving
Wichita, KS 67277-2328
U.S.A.
Phone: 1-800-242-6231 • FAX: 1-316-942-7416
Website: www.rides.com

Bulletin No:	B414R1236-0
Release Date:	August 1, 2000
Effective Date:	August 1, 2000
Supersedes:	N/A
Completion Date:	September 1, 2000
Page:	3 of 3

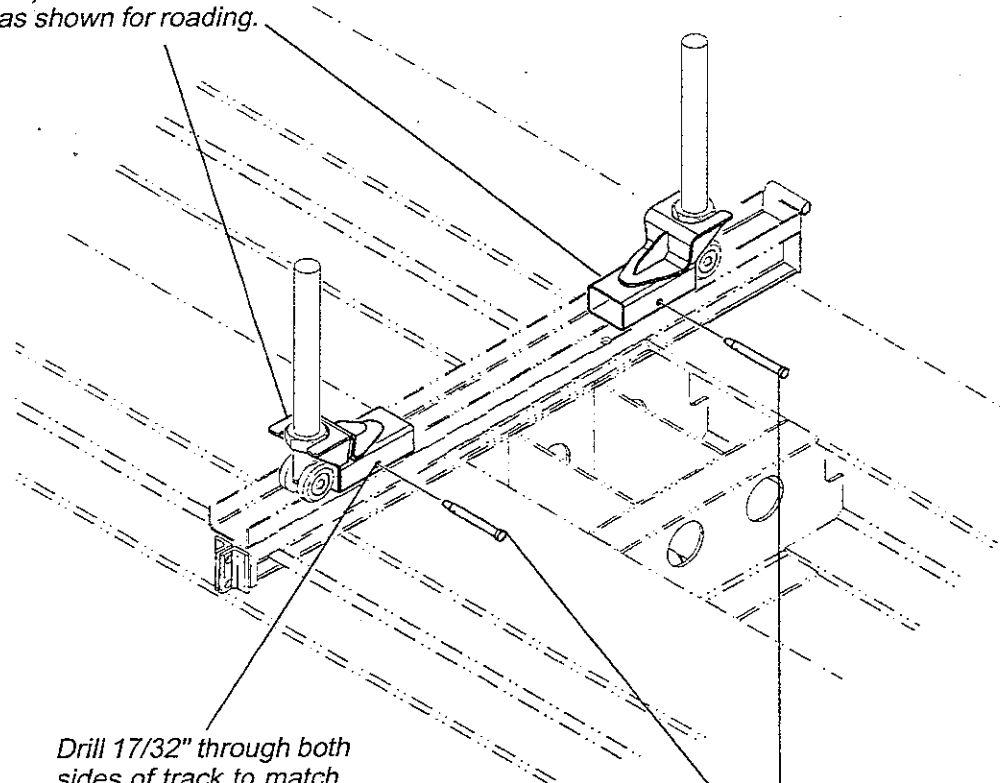
Ride Manufacturer: CHANCE RIDES, INC. Affected Production Dates: All

Ride Name: INVERTER (Portable Models Only) Affected Serial Nos.: All Units

Model No.: 414

Detail of Issue (continued):

414-0926-003
Caster Stops
(4 places)
Install as shown for roading.



Drill 17/32" through both sides of track to match holes in each caster stop

Secure with pin and hairpin provided