



CHANCE RIDES, INC.
4219 Irving
Wichita, KS 67277-2328
U.S.A.
Phone: 1-800-242-6231 • FAX: 1-316-942-7416
Website: www.rides.com
E-mail: rides@rides.com

BulletinNo: B414R1237-0
Release Date: August 1, 2000
Effective Date: August 1, 2000
Supersedes: N/A
Completion Date: September 1, 2000
Page: 1 of 2

SERVICE BULLETIN

Ride Manufacturer: CHANCE RIDES, INC.

Affected Production Dates: 4/98 through 9/99

Ride Name: INVERTER (Portable Model Only) Affected Serial Nos.: 414-00198 through 414-00399 and 414-00599 through 414-01899

Model No.: 414

Abstract of Issue:

Vehicle Tie Down Rods

Reason For Release:

Chance Rides, Inc. has become aware that the tie-down rods, which secure the vehicle in the racked position, can fail under certain circumstances on the above noted INVERTER amusement rides. If a tie-down rod fails, the vehicle can become unstable, causing possible personal injury to the driver and/or bystanders, as well as damage to the vehicle and other racking components.

The tie-down rods have been re-designed for additional strength and longer service life. The new design can be visually identified by the clevis ends welded to a solid rod. The original design incorporated clevis ends inserted into a hollow rod.

Action to be Taken:

All owner/operators of the above noted INVERTER amusement rides are required to replace the three tie-down rods with the new design parts as shown on the following page. The three original tie-down rods must be discarded when their replacements are received. Order the following parts to rework one complete ride.

<u>Part Number</u>	<u>Description</u>	<u>Quantity</u>
414-0955-002	TIE-ROD - FRONT (Long)	1
414-0955-001	TIE-ROD - FRONT (Short)	1
414-0955-005	TIE-ROD - REAR	1

NOTE: The above parts can also be ordered individually as replacement parts. The old design parts are no longer available.

The parts will be provided at no charge if ordered within 30 days of the release date of this bulletin.



CHANCE RIDES, INC.
4219 Irving
Wichita, KS 67277-2328
U.S.A.
Phone: 1-800-242-6231 • FAX: 1-316-942-7416
Website: www.rides.com
E-mail: rides@rides.com

Bulletin No:	B414R1237-0
Release Date:	August 1, 2000
Effective Date:	August 1, 2000
Supersedes:	N/A
Completion Date:	September 1, 2000
Page:	2 of 2

Ride Manufacturer: CHANCE RIDES, INC. Affected Production Dates: 4/98 through 9/99

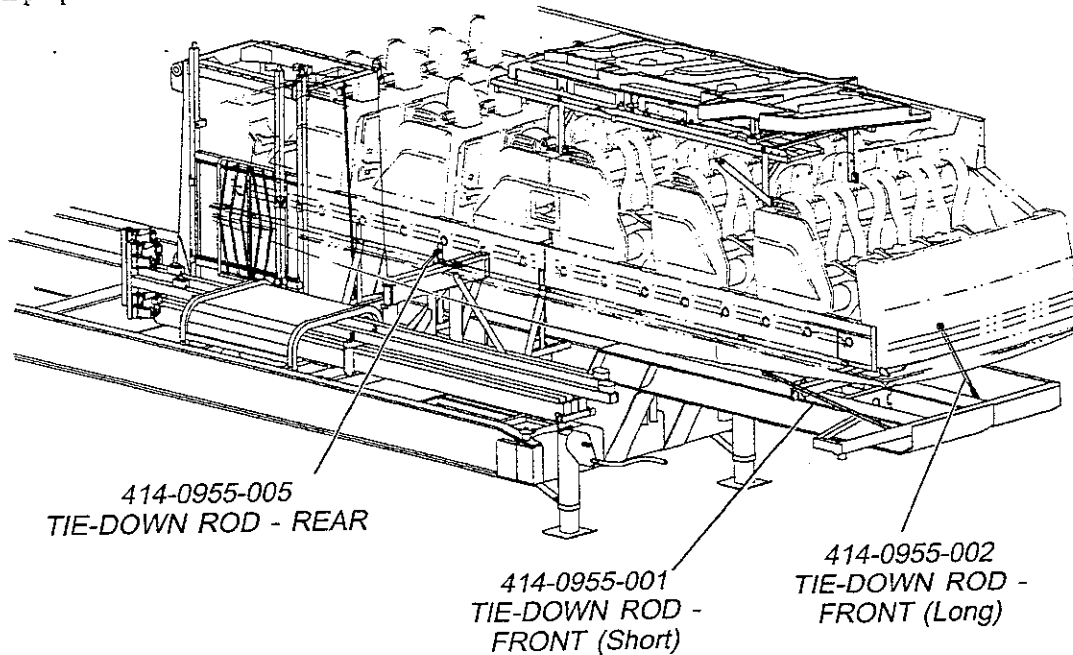
Ride Name: INVERTER (Portable Model Only) Affected Serial Nos. 414-00198 through 414-00399
414-00599 through 414-01899

Model No.: 414

Detail of Issue:

Install tie-down rods as shown in the following illustration

All work must be performed by qualified personnel, capable of understanding the function of the parts and their proper installation.



NOTICE

Use only those components authorized, specified or provided by Chance Rides, Inc.

Chance Rides, Inc. **SPECIFICALLY DISCLAIMS ANY LIABILITY** for losses associated with any unauthorized alterations and/or modifications or additions and installations of unauthorized components.