

Number: B387R1053-0

Date: March 23, 1990

SERVICE BULLETIN

Effective Serial Number: All Units - Chance Rides, Inc.

All Units - Chance Manufacturing Co. Inc.

Chance Rides, Inc. SPECIFICALLY DISCLAIMS ANY LIABILITY for losses associated with rides produced by Chance Manufacturing company, Inc.

Ride: SEA DRAGON

Subject: Seat Back Grab Rails
and Safety Decals

A kit is now available to provide additional safety to passengers as they enter and exit the SEA DRAGON. Chance Rides, Inc. requires that each owner of SEA DRAGON amusement rides install this kit and return the attached Certification Of Compliance within 15 days from receipt of the kit.

Order kit number K387R1053-0, which includes all necessary parts and hardware for one complete ride. Install the kit using the instructions provided on the reverse side of this bulletin.

All work must be performed by qualified personnel, capable of understanding the function of the parts and their proper installation.

NOTICE

Use only those components authorized, specified or provided by Chance Rides, Inc.

Chance Rides, Inc. SPECIFICALLY DISCLAIMS ANY LIABILITY for losses associated with any unauthorized alterations and/or modifications or additions and installations of unauthorized components.

PARTS LIST

The following parts are included in Kit No. K387R1053-0:

<u>Item Number</u>	<u>Part Number</u>	<u>Description</u>	<u>Quantity Required</u>
1	3-7822300	Template	1
2	3-0378512	Support Braces	4
2	3-0378513	Support Braces	4
3	3-3096500	Grab Rail	4
4	6-1144300	1/4-20 x 1-1/4 P.H.	32
5	2-2193002	Safety Decal Seat Back (387-104-001)	10
6	2-2193003	Safety Decal Seat Back (387-104-002)	10
7	2-2193004	Safety Decal Seat Back (387-104-003)	10

INSTALLATION INSTRUCTIONS

1. Remove both seat sides from the seats indicated in Illustration A.

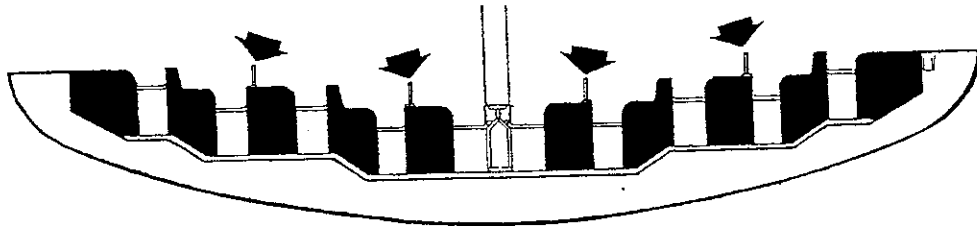


ILLUSTRATION A

2. Position template (Item #1) over seat back, as shown in Illustration B. Center template and drill holes (8 places) marked by template using a 9/32" drill bit.

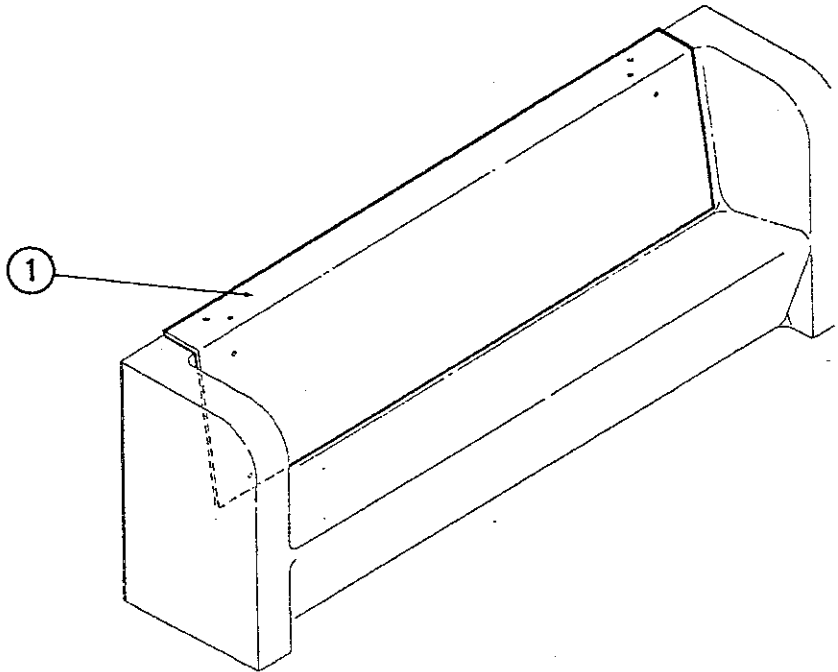


ILLUSTRATION B

3. Install grab rail support braces (Item #2) as shown in Illustration C, on inside of seats with 1/4-20 x 1-1/4 bolts supplied with the kit (Item #4). Braces have tapped holes. Remove any rivet which prevents brace from sitting flush with seat back.
4. Mount grab rail (Item #3) on top of seat back as shown in Illustration C. Use 1/4-20 x 1-1/4 bolts to secure in place.
5. Repeat this procedure on the other three remaining seats as identified in Illustration A.

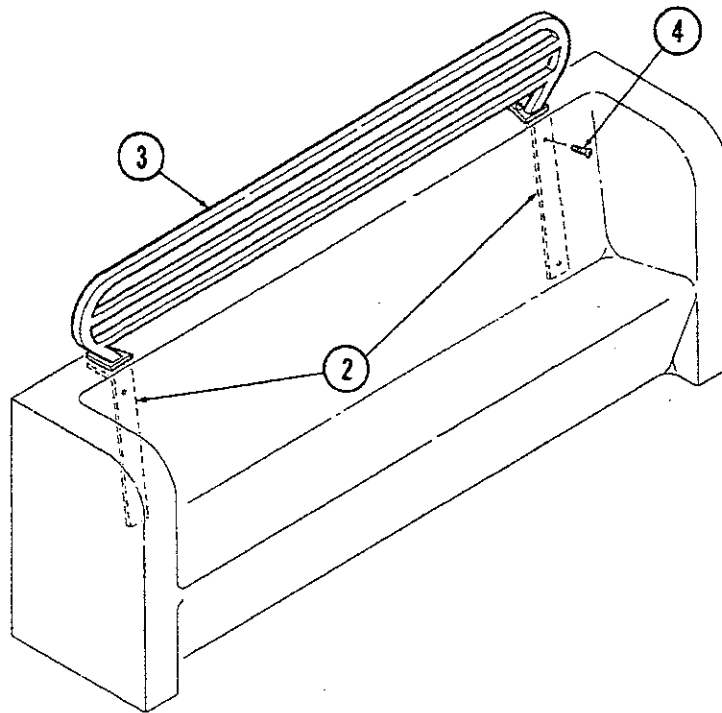


ILLUSTRATION C

6. Mount safety decals (Item #5, 6, and 7) over old decals on seat backs and at mast area so that it is visible to the passengers, as shown in Illustration D.

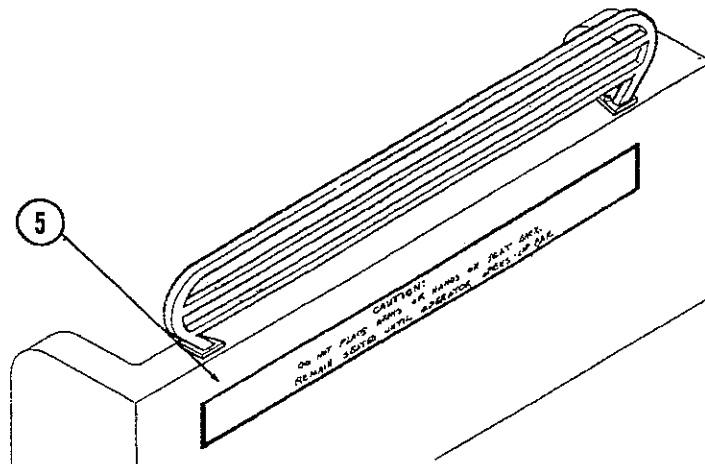


ILLUSTRATION D