



Number: B108R1032-0

Date: March 22, 1989

Supersedes:

SERVICE BULLETIN

Effective Serial Numbers: All Units

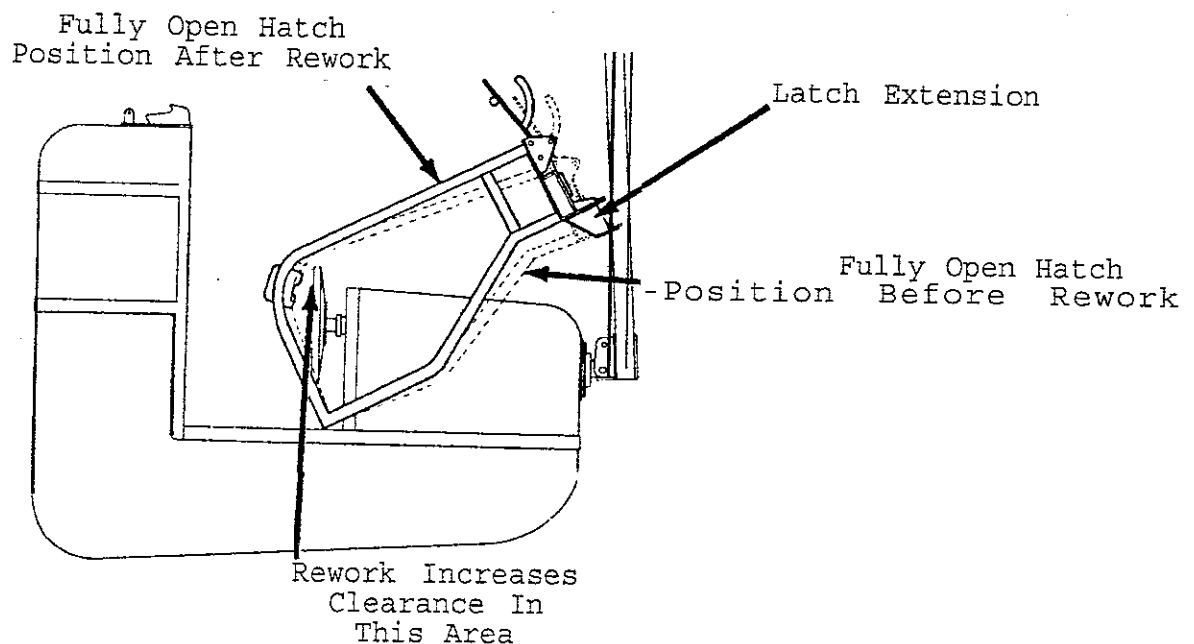
Ride: SKY DIVER

Subject: Latch Rework

The latch for the SKYDIVER vehicle hatch serves two purposes:

- When the hatch is closed, the latch securely holds it closed for safe operation.
- When the hatch is fully opened for loading, a tang on the latch engages in a slot on the A-frame, preventing rotation of the vehicle. This limits the travel of the hatch, thereby maintaining clearance between the lap bar and the control wheel.

A modification kit has been developed to increase the clearance between the lap bar and the control wheel, reducing the possibility of injuries due to pinched hands and/or fingers.



As a safety precaution, CHANCE RIDES, INC. requires that the owners of all SKY DIVER amusement rides perform the modification described in this bulletin.

Order kit number K03-0331-00, which includes the parts necessary to modify one ride. Install the parts using the instructions provided on the following pages of this bulletin. Fill out the attached Certification Of Compliance for the modification within 15 days of receipt of the kit.

PARTS LIST

LATCH REWORK KIT No. K03-0331-01
(consists of the following parts)

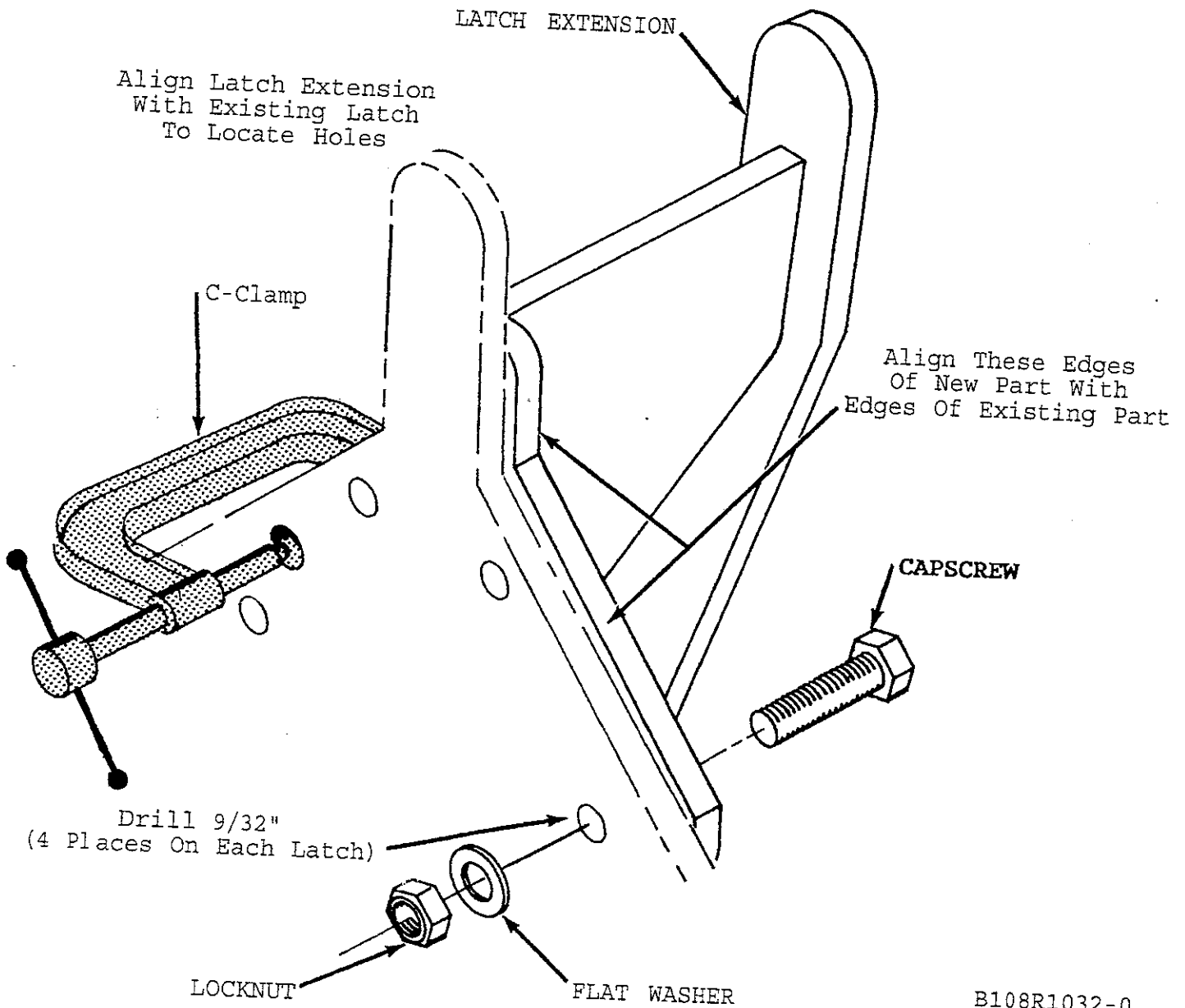
Item	Part No.	Description	Qty.
1	303-7422400	LATCH EXTENSION (1081178-001)	16
2	686-0700400	CAPSCREW (1/4-20 x 1)	70*
3	696-8530200	FLAT WASHER (1/4)	70*
4	691-4780800	LOCKNUT (1/4-20)	70*

* Extra Parts Are Provided In Kit

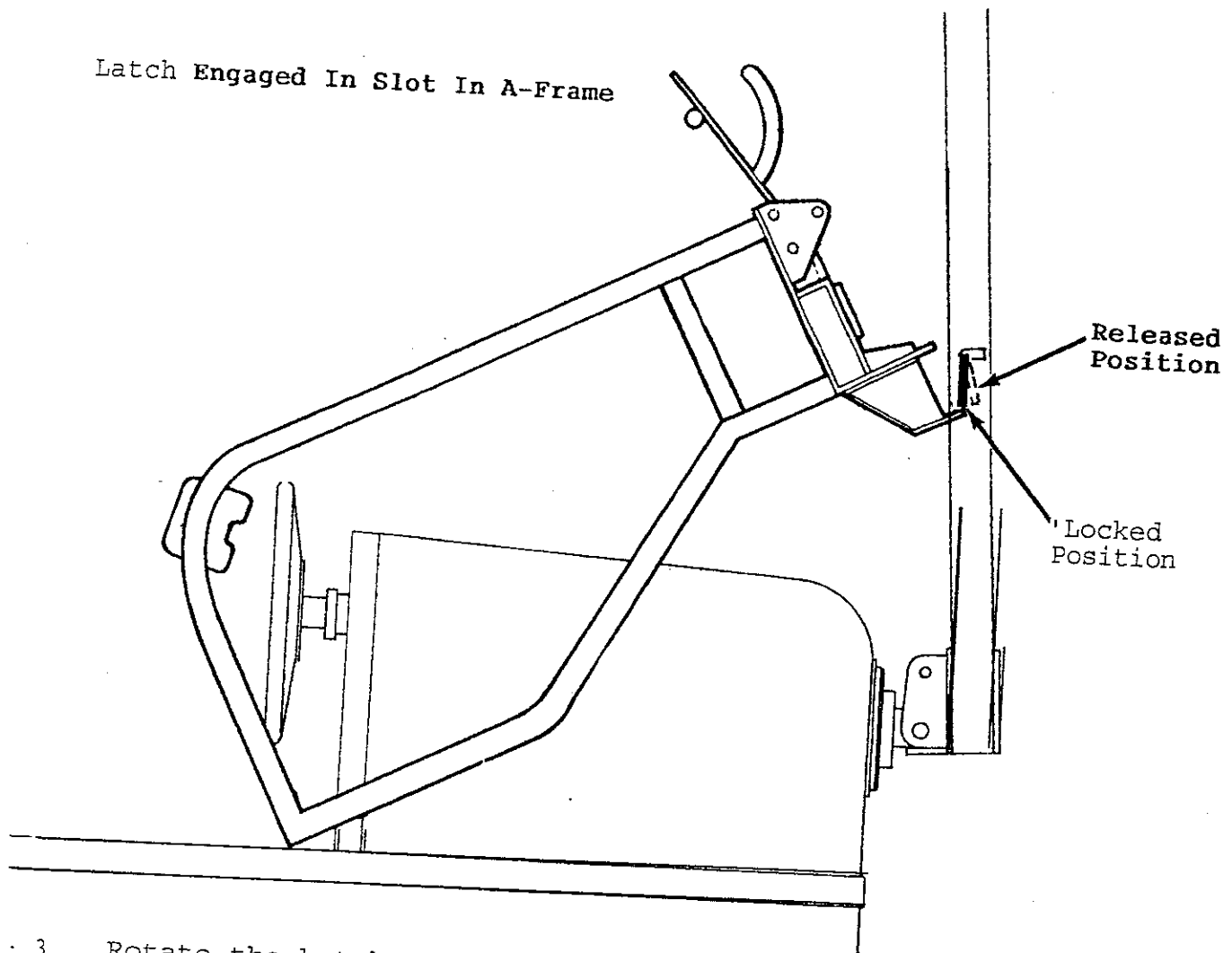
All work must be performed by competent, qualified mechanics, capable of understanding the function of the parts and their proper installation. If there are any questions regarding the instructions or this rework, contact the CHANCE CUSTOMER SERVICE DEPARTMENT,

INSTALLATION INSTRUCTIONS

1. Align the edges of latch extension (Item #1) with the edges of the existing latch as shown in the illustration below.
2. Use a C-clamp to hold the latch extension in place as shown.



Latch Engaged In Slot In A-Frame



3. Rotate the hatch to the open position as shown and check to make sure that:
 - The latch securely engages in the A-frame slot for loading and unloading (Locked Position).
 - The latch will release properly when the latch release is disengaged (Released Position).

NOTE: If necessary, adjust the latch extension position slightly to obtain the correct engagement into the A-frame slot. Also, the tang of the latch extension can be ground shorter to allow the correct release from the latch.

5. Use latch extension as a template to locate four holes in the existing latch as shown. Drill four 9/32" holes.
6. Attach the extension to the existing latch using the 1/4" capscrews, flat washers and locknuts (Items #2, #3 and #4) provided.
7. Repeat the procedure on the remaining 15 vehicles.