



NUMBER: B402R1105-0

DATE: NOV. 25, 1991

SUPERSEDES:

SERVICE BULLETIN

Effective Serial Number: All Units

Ride: WIPEOUT

Subject: Floor Handling

Chance Rides, Inc. supplies winches and hydraulic cylinders for raising and lowering the floor sections on the WIPEOUT amusement ride. These safety items must be used in order to prevent possible injury during set-up and tear-down. Decals have also been affixed to the ride at the factory, to warn persons not to stand in the path of the floors as they are being raised or lowered. Check to see that decals are in place before every set up.

The hydraulic cylinders for lowering the side floors are operated by the hand-held control box which installs into the receptacle labeled "floors". The receptacle is located on the curbside electrical box, just forward of the rear jack (see Illustration A).

<p>NOTE: Care must be taken to assure the hand-held box is installed into the proper receptacle at the proper time. The inability to do this may result in damage to the floor cylinder turn buckle assemblies.</p>

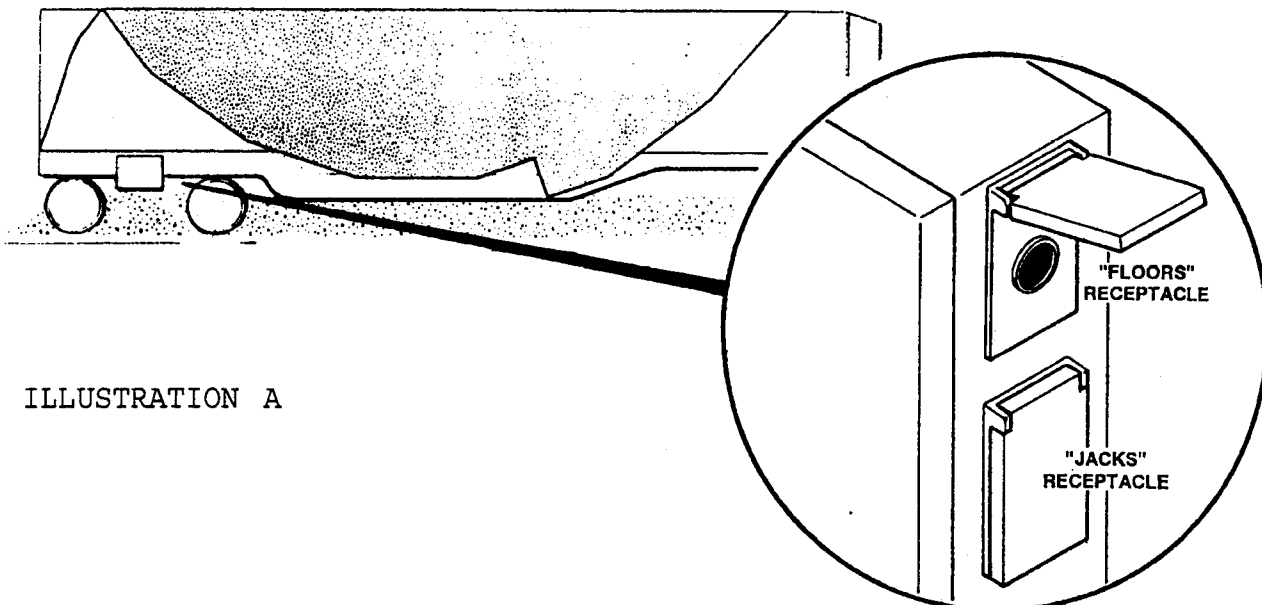


ILLUSTRATION A

Two winches are used to lower the front floor section. These winches are located under floor access panels in front of the operator's control house (see Illustration B). Once the front floor section has been lowered, the winches must be stowed and the access panels reinstalled.

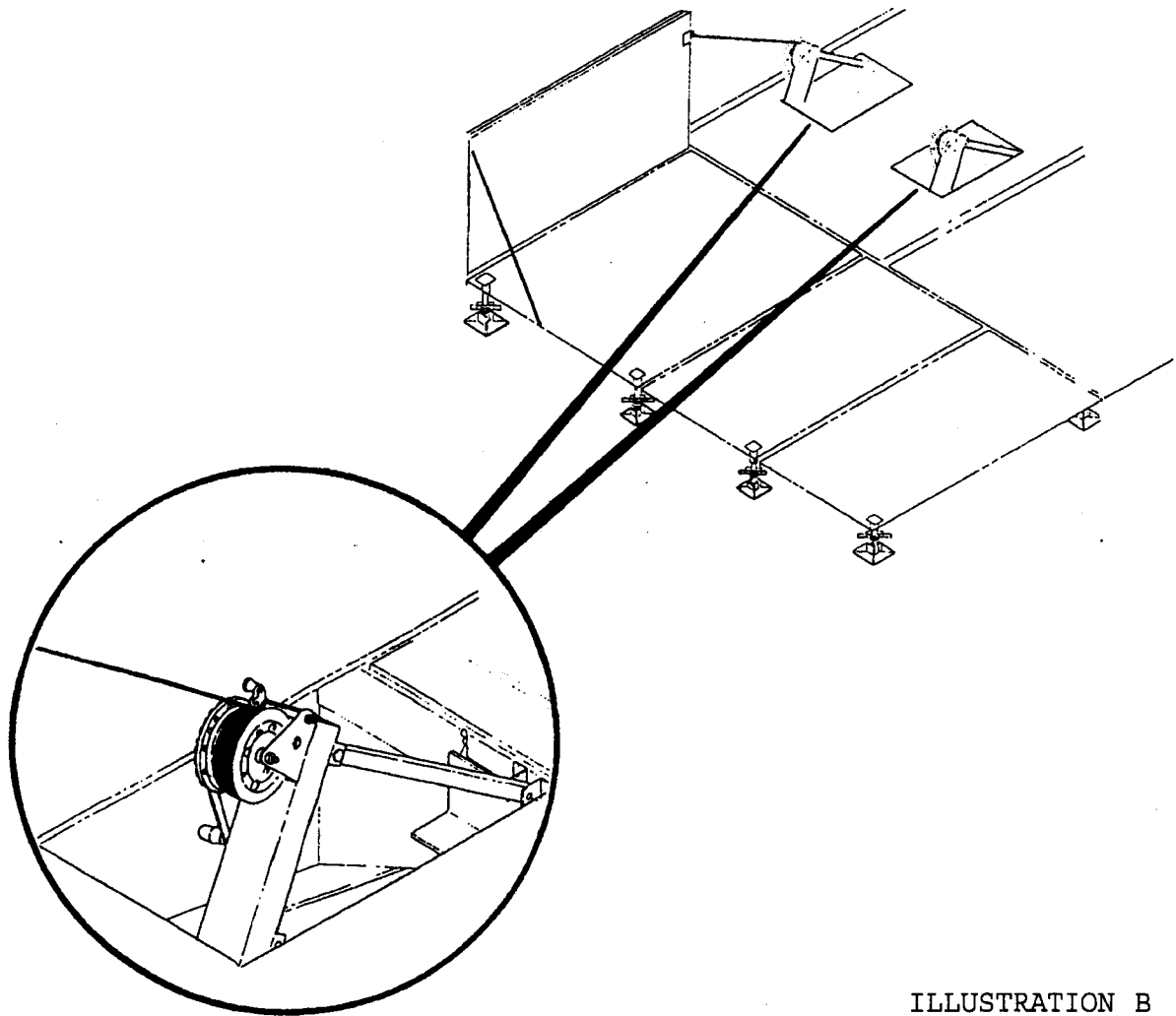


ILLUSTRATION B

WARNING: DO NOT ATTEMPT TO LOWER FLOORS WITHOUT THE USE OF THE WINCHES OR CYLINDERS. FAILURE TO COMPLY WITH THIS BULLETIN COULD RESULT IN INJURY.