



NUMBER: B402R1110-0

DATE: DEC. 20, 1991

SUPERSEDES:

---

---

## SERVICE BULLETIN

---

---

Effective Serial Number: 40200190 through 40201891

Ride: WIPEOUT

Subject: Electrical Overload Protector  
Inspection/Replacement

Chance Rides, Inc. has become aware that incorrectly sized overload protectors, heaters and fuses, may have been installed on the above noted WIPEOUT amusement rides. The correct size heaters and fuses are necessary to prevent damage to the oil cooler motor, the pump motor for the leveling jacks, and the motor for the air aompressor.

Chance Rides, Inc. requires all owner/operators of the above noted rides to perform the inspection and if necessary, the replacement of parts, as outlined in this bulletin.

All work must be performed by qualified personnel, capable of understanding the function of the parts and their proper installation.

### NOTICE

Use only those components authorized, specified or provided by Chance Rides, Inc.

Chance Rides, Inc. **SPECIFICALLY DISCLAIMS ANY LIABILITY** for losses associated with any unauthorized alterations and/or modifications or additions and installations of unauthorized components.

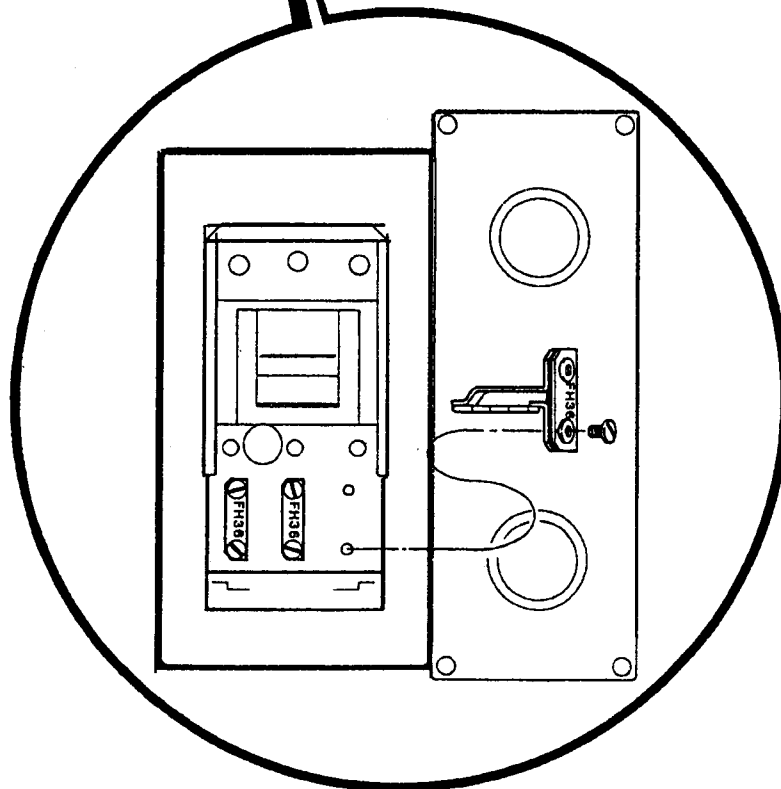
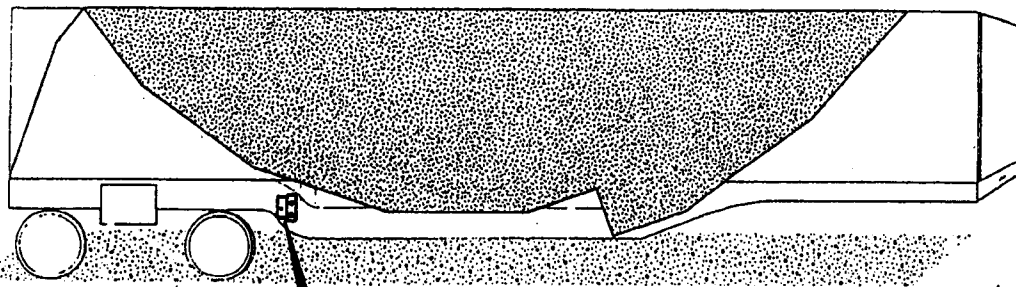
CAUTION: To prevent electrical shock, disconnect all power to the ride before performing any of the following work.
---------------------------------------------------------------------------------------------------------------------

If a new heater or fuse is required, per this bulletin, they will be supplied free of charge, if ordered within 90 days of the date on this bulletin.

INSPECTION/REPLACEMENT OF PUMP MOTOR HEATERS

Three heaters are located in box between rear leveling jack and the floor/jack receptacle box, located on the curbside of the trailer.

1. Remove cover from box by removing the one screw located at the bottom of the box.
2. Heaters are labeled as to size. Correct size is FH36. If any other size heater is present, order and install new heaters, part number 23324700.
3. To replace heaters, remove the two (2) screws securing the heater in place.
4. Reinstall cover after work is completed.



INSPECTION/REPLACEMENT OF OIL COOLER MOTOR HEATER & AIR COMPRESSOR FUSE

This heater and fuse are located in the motor control box, the left hand box with the on/off handle, mounted to the turret.

1. Turn power handle to off position and open door.
2. Locate single heater and inspect for correct heater size. Correct size is AR8.5. If any other size heater is present, order and install new heater, part number 23331702.
3. To replace heater, remove the two (2) screws securing the heater in place.
4. Locate fuse in fuse block directly above oil cooler motor heater and inspect for proper size. The fuse may have to be removed to determine size. The correct size is FNQ20. If any other fuse is present, order and install new fuse, part number 22149200.

