



NUMBER: A106R1173-0

DATE: AUG. 4, 1995

SUPERSEDES:

---

---

## SAFETY ALERT

---

---

Effective Serial Number: All Units - With New Style Seat Hangers  
Chance Rides, Inc.  
Chance Manufacturing Co, Inc.

Chance Rides, Inc. SPECIFICALLY DISCLAIMS ANY  
LIABILITY for losses associated with rides  
produced by Chance Manufacturing Company, Inc.

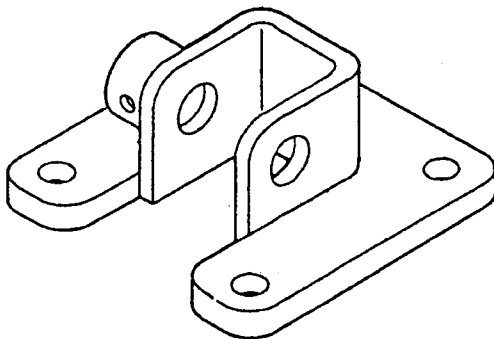
Ride: ZIPPER

Subject: Seat Hangers

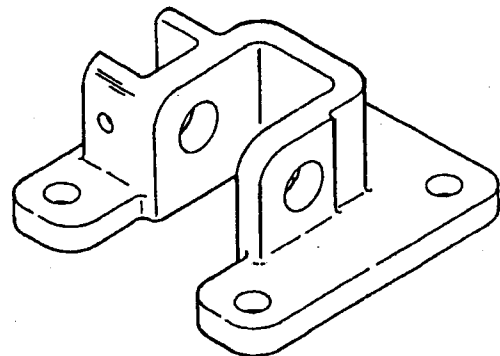
**WARNING:** Failure to comply with this Safety Alert Bulletin  
can result in injury to passengers.

Chance Rides, Inc. has become aware of cracks developing in the new style ZIPPER seat hangers. All owner/operators of the above noted ZIPPER amusement rides are required to perform the inspection outlined in this Safety Alert.

Note: This inspection pertains to the new style seat hanger only.



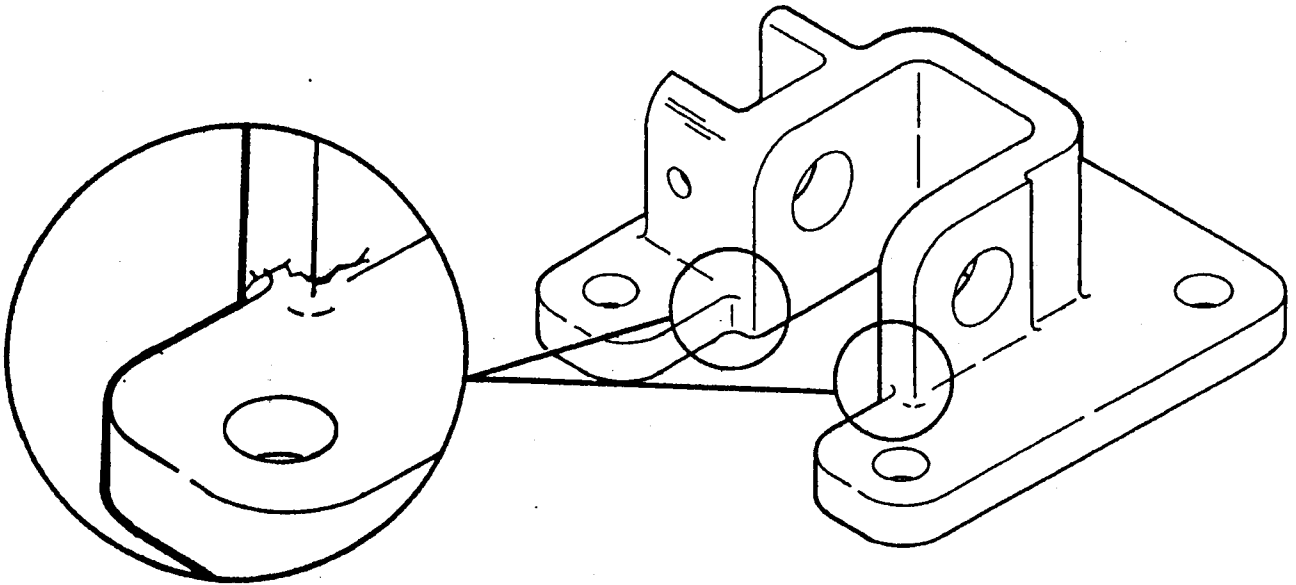
old style  
(weldment)



new style  
(casting)

## Inspection Procedure

1. Visually inspect seat hanger for cracks in the areas shown on the illustration below.
2. If cracks are found, do not operate the ride, call the Chance Customer Service Department at 1-800-CHANCE1.
3. Visual inspection must be done daily, prior to operation of the ride.



All work must be performed by qualified personnel, capable of understanding the function of the parts and their proper installation.

### NOTICE

Use only those components authorized, specified or provided by Chance Rides, Inc.

Chance Rides, Inc. SPECIFICALLY DISCLAIMS ANY LIABILITY for losses associated with any unauthorized alterations and/or modifications or unauthorized components.