



CHANCE RIDES, INC.
4219 Irving
Wichita, KS 67277-2328
U.S.A.
Phone: 1-800-242-6231 • FAX: 1-316-942-7416
Website: www.rides.com
E-mail: rides@rides.com

Bulletin No:	B106R1170-A
Release Date:	November 15, 2000
Effective Date:	November 15, 2000
Supersedes:	B106R1170-0
Completion Date:	N/A
Page:	1 of 5

SERVICE BULLETIN

Ride Manufacturer: CHANCE RIDES, INC. Affected Production Dates: All

Ride Name: ZIPPER Affected Serial Nos.: All units

Model No.: 106

Abstract of Issue:
Seat Hangers

Reason For Release:

Chance Rides, Inc. has developed a new seat hanger for the above noted ZIPPER amusement rides. This improved design is reinforced to increase the service life of the seat hanger.

This bulletin supersedes all previously published information. It contains detailed information on visual identification of all three seat hanger designs, installation, and replacement parts.

Action to be Taken:

Prior to this new seat hanger design, two previous designs have been produced. All three designs are acceptable, provided that all specifications outlined in this bulletin are met, with respect to condition, associated parts, correct mounting fasteners and proper installation.

Chance Rides, Inc. requires a daily visual inspection of all seat hangers and associated parts including the mounting fasteners for signs of wear or damage. The seat hanger must be replaced when the hole for the taper pin exceeds 0.860 inch.

All work must be performed by qualified personnel, capable of understanding the function of the parts and their proper installation.

NOTICE

Use only those components authorized, specified or provided by Chance Rides, Inc.

Chance Rides, Inc. **SPECIFICALLY DISCLAIMS ANY LIABILITY** for losses associated with any unauthorized alterations and/or modifications or additions and installations of unauthorized components.



CHANCE RIDES, INC.
4219 Irving
Wichita, KS 67277-2328
U.S.A.
Phone: 1-800-242-6231 • FAX: 1-316-942-7416
Website: www.rides.com
E-mail: rides@rides.com

Bulletin No:	B106R1170-A
Release Date:	November 15, 2000
Effective Date:	November 15, 2000
Supersedes:	B106R1170-0
Completion Date:	N/A
Page:	2 of 5

Ride Manufacturer: CHANCE RIDES, INC. Affected Production Dates: All

Ride Name: ZIPPER Affected Serial Nos.: All units

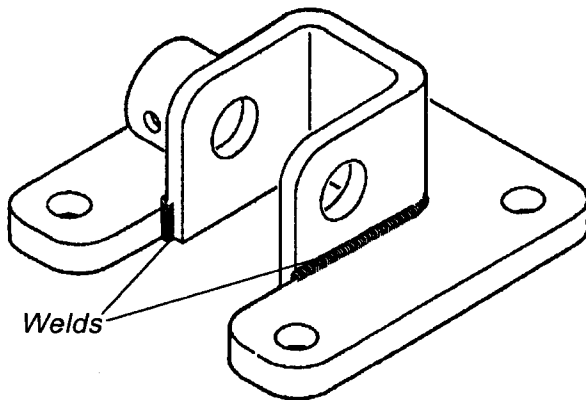
Model No.: 106

Detail of Issue

Seat Hanger Identification

Note the differences between the seat hangers which may be installed on the ride as shown in the following illustrations.

ALL THREE SEAT HANGER DESIGNS SHOWN ARE ACCEPTABLE, provided that all specifications outlined in this bulletin are met with respect to condition, associated parts, correct mounting fasteners and proper installation.



SEAT HANGER IDENTIFICATION - Design #1

The original style bolt-on seat hanger is a weldment. Different parts are used for left-hand and right-hand installation.



CHANCE RIDES, INC.
4219 Irving
Wichita, KS 67277-2328
U.S.A.
Phone: 1-800-242-6231 • FAX: 1-316-942-7416
Website: www.rides.com
E-mail: rides@rides.com

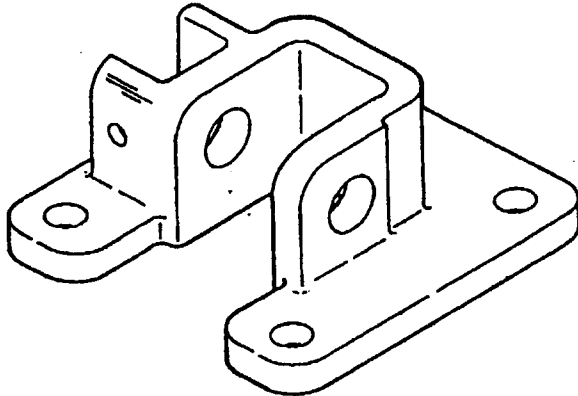
Bulletin No:	B106R1170-A
Release Date:	November 15, 2000
Effective Date:	November 15, 2000
Supersedes:	B106R1170-0
Completion Date:	N/A
Page:	3 of 5

Ride Manufacturer: CHANCE RIDES, INC. Affected Production Dates: All

Ride Name: ZIPPER Affected Serial Nos.: All units

Model No.: 106

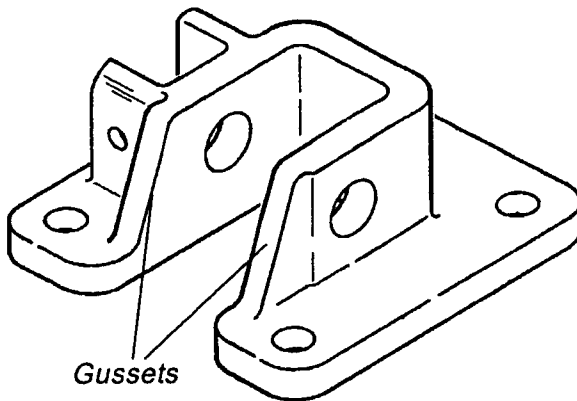
Detail of Issue (continued):



SEAT HANGER IDENTIFICATION - Design #2

This seat hanger is an investment casting. It has wider bearing surfaces than Design #1 for the taper pin which secures the seat. The same part is used for both left-hand and right-hand installations.

IMPORTANT: *This seat hanger must be inspected daily per Chance Service Bulletin A106R1173-0.*



SEAT HANGER IDENTIFICATION - Design #3

This seat hanger is an investment casting and is similar to Design #2. It has reinforcing gussets to increase its service life. The same part is used for both left-hand and right-hand installations.

This seat hanger is not subject to inspection per Chance Service Bulletin A106R1173-0.



CHANCE RIDES, INC.
 4219 Irving
 Wichita, KS 67277-2328
 U.S.A.
 Phone: 1-800-242-6231 • FAX: 1-316-942-7416
 Website: www.rides.com
 E-mail: rides@rides.com

Bulletin No:	B106R1170-A
Release Date:	November 15, 2000
Effective Date:	November 15, 2000
Supersedes:	B106R1170-0
Completion Date:	N/A
Page:	4 of 5

Ride Manufacturer: CHANCE RIDES, INC. Affected Production Dates: All

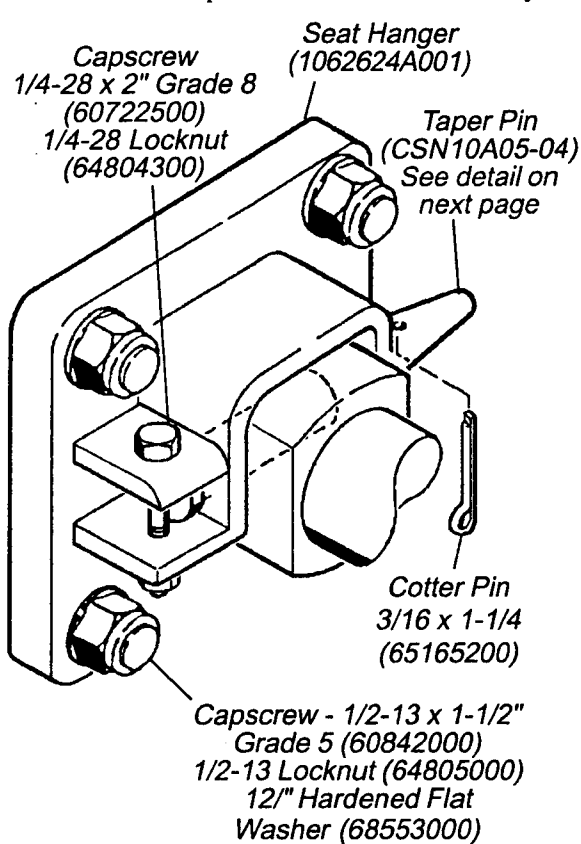
Ride Name: ZIPPER Affected Serial Nos.: All units

Model No.: 106

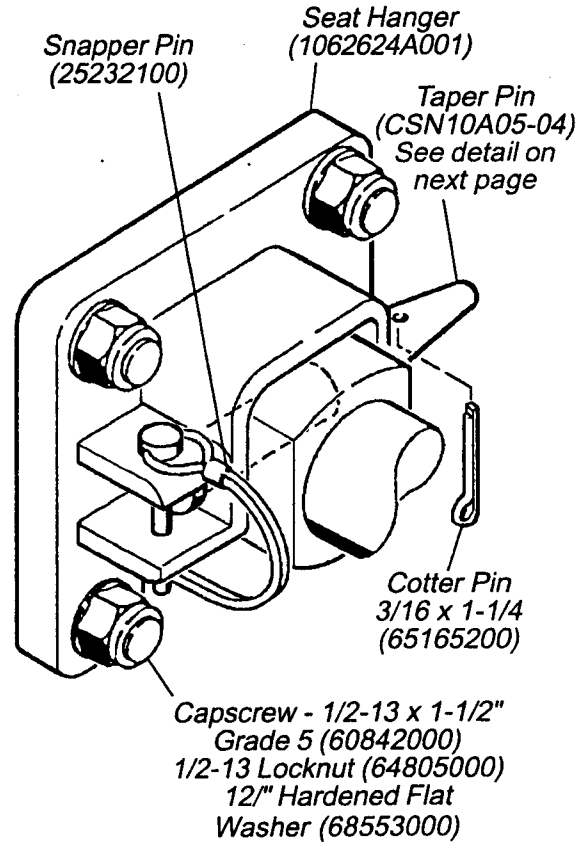
Detail of Issue (continued):

Seat Hanger Installation

Regardless of which style seat hanger is used, the mounting fasteners must be those specified in the following illustrations. All parts must be installed exactly as shown.



On seats which rack in place on the boom
 A Grade 8 cap screw must be installed through the seat hanger, behind the head of the taper pin. The nut must be tightened until snug. **DO NOT OVER-TIGHTEN.** A cotter pin must be installed in the other end of the taper pin.



On seats which rack on the trailer deck
 On rides which rack two seats on the trailer deck, snapper pins are installed behind the head of the taper pin as shown. A cotter pin must be installed in the other end of the taper pin. Hairpins are not allowed.



CHANCE RIDES, INC.
4219 Irving
Wichita, KS 67277-2328
U.S.A.
Phone: 1-800-242-6231 • FAX: 1-316-942-7416
Website: www.rides.com
E-mail: rides@rides.com

Bulletin No:	B106R1170-A
Release Date:	November 15, 2000
Effective Date:	November 15, 2000
Supersedes:	B106R1170-0
Completion Date:	N/A
Page:	5 of 5

Ride Manufacturer: CHANCE RIDES, INC. Affected Production Dates: All

Ride Name: ZIPPER Affected Serial Nos.: All units

Model No.: 106

Detail of Issue (continued):

If the grip length of the taper pin is too short, the cotter pin will wear against the seat hanger. This is not acceptable. Check for correct taper pin grip length as shown in the following illustrations.

