



Number: A65-0264-00

Date: February 20, 1985

Supersedes:

America's Largest Manufacturer of Amusement Rides

SAFETY ALERT

Effective Serial Numbers: All Units

Ride: ZUMUR

Subject: Lap Bar Kit

CHANCE MANUFACTURING CO., INC. has become aware of at least one accident involving the ZUMUR amusement ride. The passenger apparently was pulled by another passenger and/or slid forward under the lap bar and out of the seat while the ride was in motion.

CHANCE MANUFACTURING has developed a new lap bar which increases passenger safety. The new lap bar design incorporates a crotch strap, which secures the lap bar in the lowered position. The existing chest strap must be used in conjunction with the new lap bar to complete the passenger restraint system.

ALL OWNERS OF ZUMUR RIDES ARE REQUIRED TO REPLACE THE EXISTING LAP BARS WITH THE NEW LAP BAR SYSTEM.

Order kit number K65-0264-00, which includes the new style lap bars, crotch straps and all necessary hardware for one complete ride (24 seats). Install the kit using the instructions on the reverse side of this bulletin. Fill out and return the attached Certification of Compliance for installation of the kit within seven (7) days from receipt of the kit.

PARTS LIST

Components of Kit No. K65-0264-00

| <u>Part No.</u> | <u>Description</u> | <u>Quantity</u> |
|-----------------|---|-----------------|
| 361-04043 | Lap Bar | 24 |
| 261-05443 | Crotch Strap | 24 |
| 686-07004 | Bolt - Hex Head Capscrew (1/4-20 x 1) | 24 |
| 696-85300 | Washer - Wrought (1/4) | 24 |
| 691-47808 | Lock Nut - Full Nylon Insert (1/4-20) | 24 |
| 686-12232 | Shoulder Bolt - Socket Head (3/8 x 1) | 48 |
| 691-48044 | Flex Lock Nut (5/16-18) | 48 |
| 696-85308 | Washer - Wrought (3/8) | 96 |
| 261-85602 | Cushion Ring | 48 |

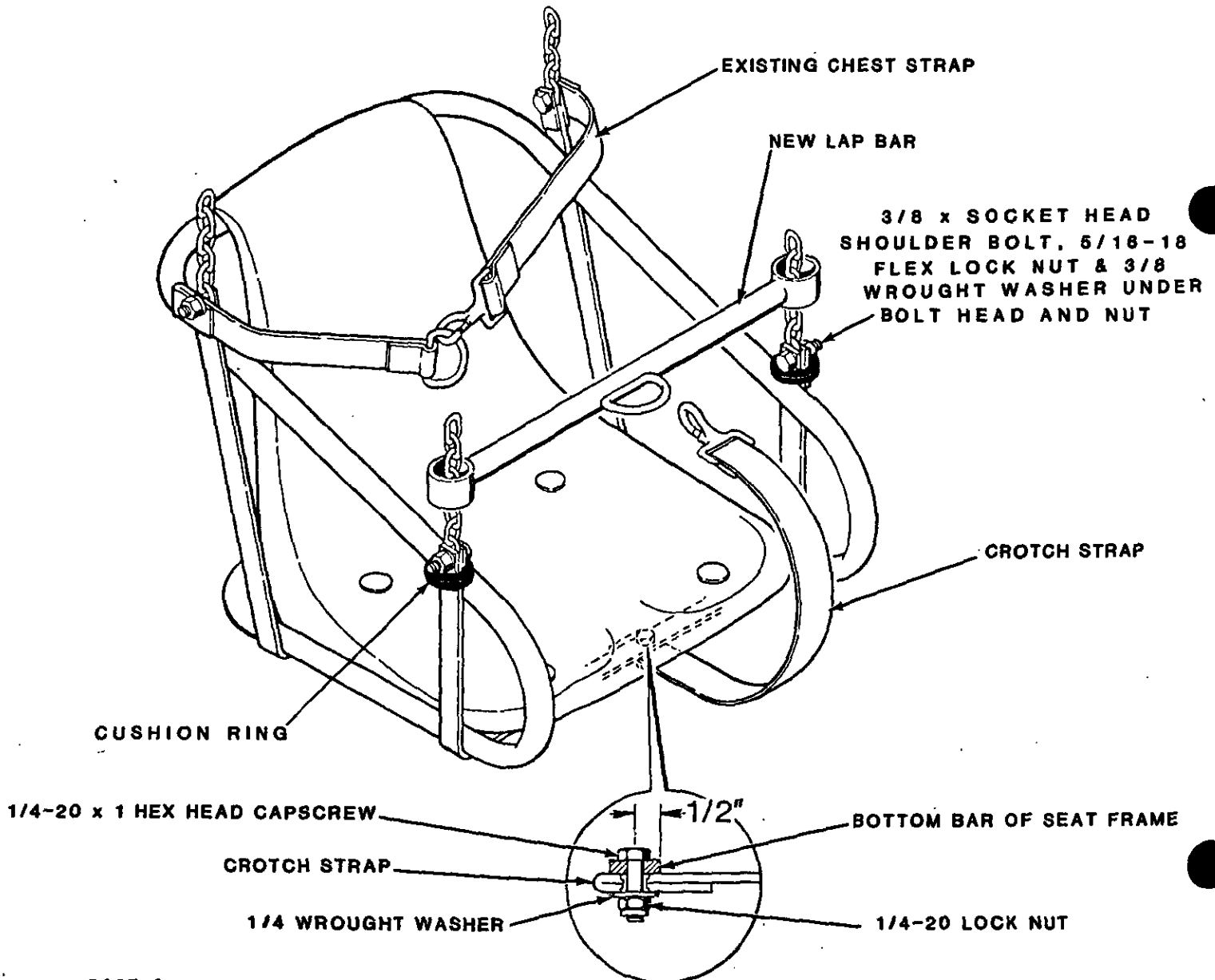
Factory and Sales Office: 4219 Irving • P.O. Box 12328 • Wichita, Kansas 67277 • (316) 942-7411

Installation Instructions

All work must be performed by competent mechanics, capable of understanding the function of the parts and their proper installation.

Read these instructions thoroughly and make sure you understand them before installing the kit. Identify all parts by checking them against the parts list. If any parts are missing, contact CHANCE MANUFACTURING immediately. Do not substitute an inferior grade of material or part.

1. With the ride stopped and the master circuit breaker in the "OFF" position, remove the two front chains from any seat. Remove the lap bar.
2. Inspect all four chains for wear per Service Bulletin B61-0265-00.
3. Install a cushion ring over each front upright on the seat frame.
4. Install the new lap bar on the chains with the D-ring toward the front of the seat. Install the new hardware with the bolts pointing out from the seat as shown. Torque the nuts to 13 lb-ft.
5. Drill a 1/4-inch hole through the bottom bar on the seat frame, on the centerline of the seat as shown. Be careful not to drill into the plastic seat.
6. Install the crotch strap and hardware as shown. Torque the nut to 72 lb-in.
7. Repeat Steps 1 through 5 on all remaining seats.





Number: B65-0266-00

Date: February 20, 1985

Supersedes:

America's Largest Manufacturer of Amusement Rides

SERVICE BULLETIN

Effective Serial Numbers: All Units

Ride: ZUMUR

Subject: Chain and Seat Inspection

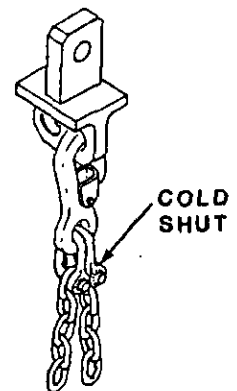
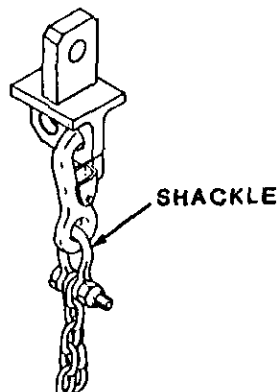
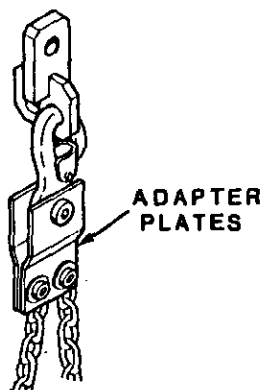
As a safety precaution, CHANCE MANUFACTURING CO., INC. recommends that the following inspection be performed on all ZUMUR amusement rides at every set-up or weekly, whichever occurs first.

The inspection must be performed by competent personnel, capable of understanding the function of the parts and their proper installation. A parts list is provided on the following pages for identification of parts and as a convenience of ordering any necessary parts.

Inspection Points

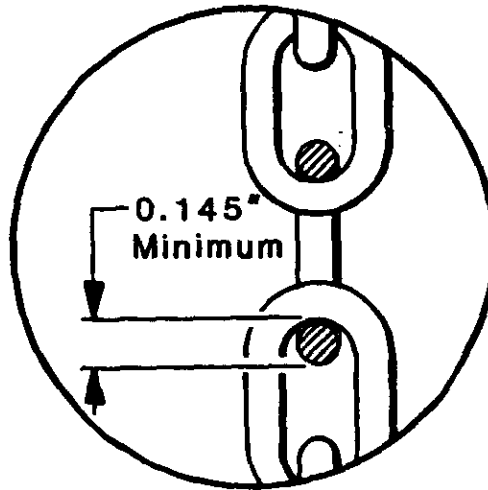
1. CHAIR HANGER - Inspect for damage or wear in the holes for the snap hook.
2. SNAP HOOK - Check the inside of the hook for damage or wear. The spring catch must operate freely and close the hook completely.
3. ADAPTER PLATES AND ATTACHING HARDWARE - Torque 1/2-inch shoulder bolts (3/8-16 thread) to 36 lb-ft. Torque 3/8-inch shoulder bolts (5/16-18 thread) to 17 lb-ft. DO NOT SUBSTITUTE HARDWARE.

NOTE: Early production rides were equipped with either shackles or cold shuts to attach the chains to the snap hooks. Inspect these for damage or wear, and refer to Service Bulletin No. 94.



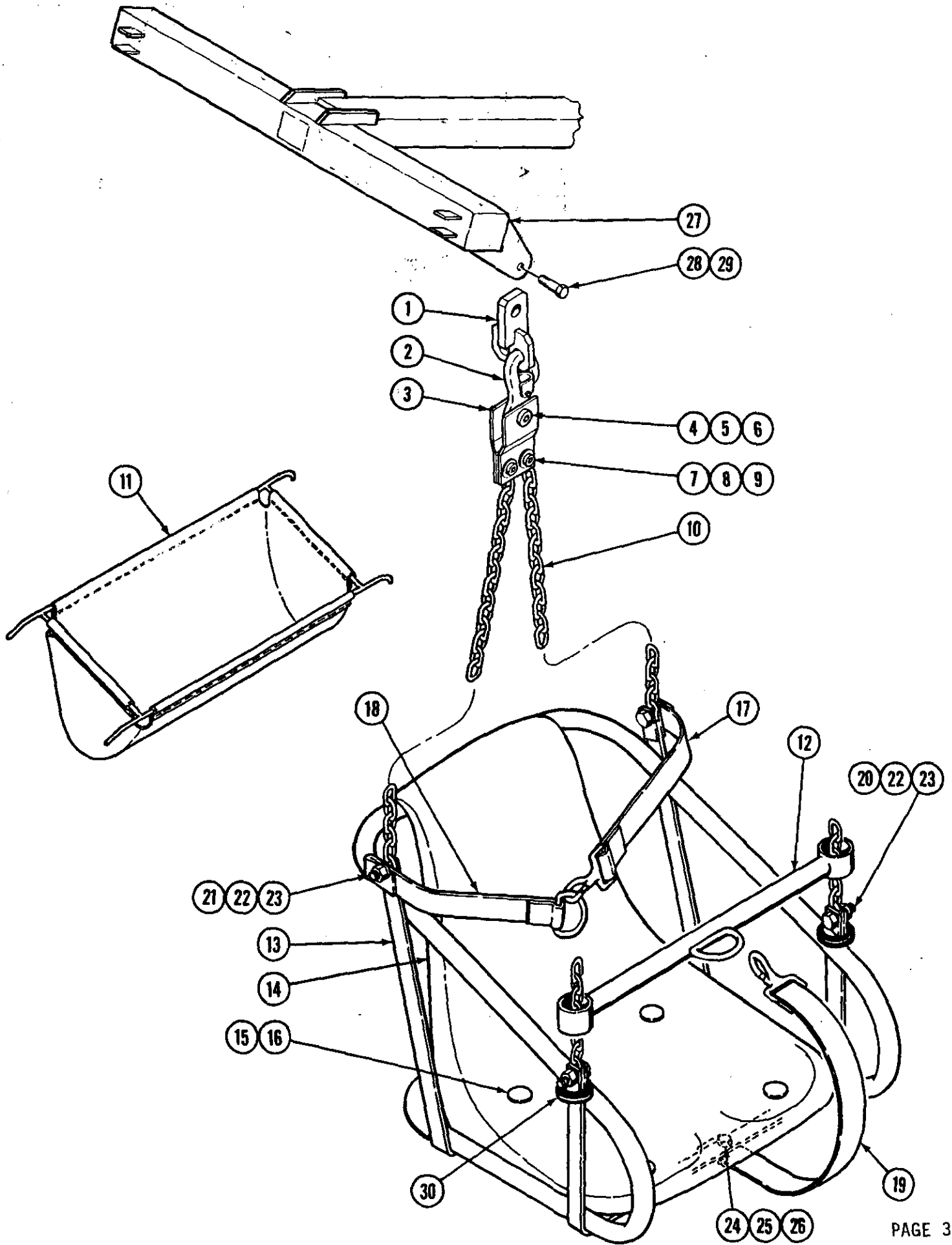
Factory and Sales Office: 4219 Irving • P.O. Box 12328 • Wichita, Kansas 67277 • (316) 942-7411

4. CHAINS - Measure chain wear on links near the seat as shown. The minimum acceptable dimension is 0.145 inch. If replacement is required, use only 3/16 proof coil chain. DO NOT SUBSTITUTE CHAINS. DO NOT SPLICE OR OTHERWISE ATTEMPT TO REPAIR CHAINS.



5. SEAT ATTACHMENT HARDWARE - Make sure that all bolts point out from seat. Torque the nuts to 13 lb-ft. DO NOT SUBSTITUTE HARDWARE.
6. SEAT AND SEAT FRAME - Check for cracks in the plastic seat. Inspect seat frame for damage or wear in the area where the lap bar rests.
7. CHEST STRAP, CROTCH STRAP AND LAP BAR - ALL seats must be equipped with the complete passenger restraint system as shown. Replace any worn, damaged or missing parts.
8. OVERALL INSTALLATION OF CHAINS AND SEATS - All seats must face in the same direction, forward in relation to ride rotation. Each seat must be suspended from two chair hangers. DO NOT ATTACH BOTH SNAP HOOKS FOR A SINGLE SEAT TO THE SAME CHAIR HANGER. Make sure chains are not twisted.

If you have any questions or need replacement parts, contact the CHANCE CUSTOMER SERVICE DEPARTMENT.



Parts List

| <u>Ref. No.</u> | <u>Part No.</u> | <u>Description</u> | 24 Seats Per Ride <u>Qty. Req.</u> <u>Per Seat</u> |
|-----------------|-----------------|--|---|
| 1 | 361-32706 | *Chair Hanger (376-209-001) | 1 |
| 2 | 290-69296 | Snap Hook | 2 |
| 3 | 361-53843 | **Adapter Plate (376-118-001) | 4 |
| 4 | 690-12267 | Shoulder Bolt - Socket Head (1/2 x 1, 3/8-16 Thd) .. | 2 |
| 5 | 696-85310 | Washer - Flat (3/8) | 2 |
| 6 | 691-48046 | Nut - Flexlock (3/8-16) | 2 |
| 7 | 686-12232 | Shoulder Bolt - Socket Head (3/8 x 1, 5/16-18 Thd) . | 2 |
| 8 | 696-85304 | Washer - Wrought (5/16) | 2 |
| 9 | 691-48044 | Nut - Flexlock (5/16-18) | 2 |
| 10 | 265-15233 | Chain (3/16 Proof Coil x 12 ft. 4 in. long) | 4 |
| 11 | 361-15290 | Chain Bag (376-914-001) | 1 |
| 12 | 361-04043 | Lap Bar Weldment (376-111-001) | 1 |
| 13 | 361-29215 | Seat Frame (376-110-001) | 1 |
| 14 | 361-64993 | Seat (376-113-001) Specify Color: Black, Red, Navy Blue or Sand | 1 |
| 15 | 686-12219 | Carriage Bolt (1/4-20 x 1-1/4) | 4 |
| 16 | 691-47808 | Lock Nut - Full Nylon Insert (1/4-20) | 4 |
| 17 | 261-05443 | Chest Strap (376-114-002) | 1 |
| 18 | 261-05442 | Chest Strap (376-114-001) | 1 |
| 19 | 261-05443 | Crotch Strap (376-114-002) | 1 |
| 20 | 686-12232 | Shoulder Bolt-Socket Head (3/8 x 1, 5/16-18 Thd) ... | 2 |
| 21 | 686-12233 | Shoulder Bolt-Socket Head (3/8 x 1-1/4, 5/16-18 Thd). | 2 |
| 22 | 696-85308 | Washer - Wrought (3/8) | 8 |
| 23 | 691-48044 | Nut - Flexlock (5/16-18) | 4 |
| 24 | 686-07004 | Bolt - Hex Head Capscrew (1/4-20 x 1) | 1 |
| 25 | 696-85300 | Washer - Wrought (1/4) | 1 |
| 26 | 691-47808 | Lock Nut - Full Nylon Insert (1/4-20) | 1 |
| 27 | 365-04068 | Tee Bar With Lights (380-1211-001) | 12/ride |
| 28 | 686-09526 | Bolt - Hex Head Capscrew (3/4-10 x 3-1/4 Grade 5) .. | 24/ride |
| 29 | 691-47836 | Lock Nut - Full Nylon Insert (3/4-10) | 24/ride |
| 30 | 261-85602 | Cushion Ring | 2/seat |

* The chair hanger shown is interchangeable with the chair hangers originally equipped on early production rides.

** Early production rides were equipped with either shackles or cold shuts, which are no longer provided for this application. When replacing these parts, order items 3 through 9 in the quantities specified.



Number: B65-0266-0A

Date: 4-15-86

Supersedes: B65-0266-00
(2-20-85)

America's Largest Manufacturer of Amusement Rides

SERVICE BULLETIN

Effective Serial Numbers: All Units

Ride: ZUMUR

Subject: Chain and Seat Inspection

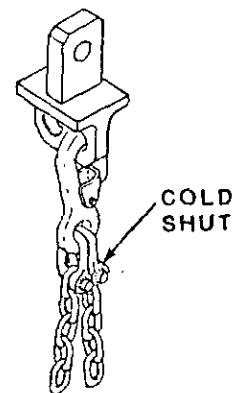
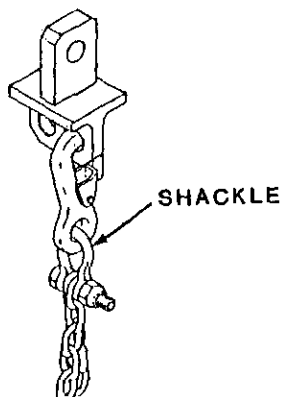
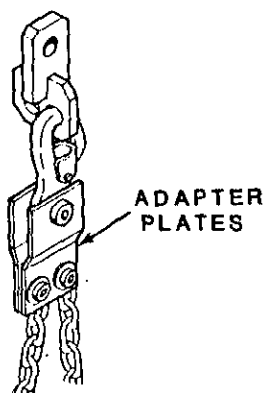
As a safety precaution, CHANCE MANUFACTURING CO., INC. recommends that the following inspection be performed on all ZUMUR amusement rides at every set-up or weekly, whichever occurs first.

The inspection must be performed by competent personnel, capable of understanding the function of the parts and their proper installation. A parts list is included for identification of parts and as a convenience for ordering any necessary parts.

Inspection Points

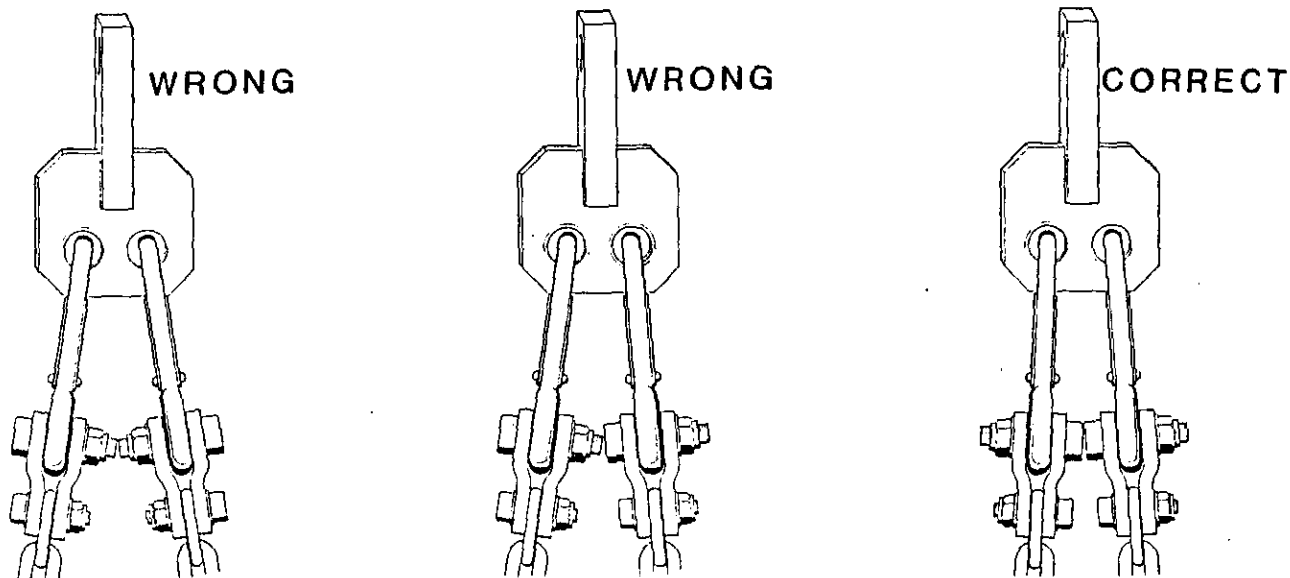
1. CHAIR HANGER - Inspect for damage or wear in the holes for the snap hook.
2. SNAP HOOK - Check the inside of the hook for damage or wear. The spring catch must operate freely and close the hook completely.
3. ADAPTER PLATES AND ATTACHING HARDWARE -

NOTE: Early production rides were equipped with either shackles or cold shuts to attach the chains to the snap hooks. Inspect these for damage or wear, and refer to Service Bulletin No. 94. If your ride is equipped with either shackles or cold shuts, go to Step 4.



Factory and Sales Office: 4219 Irving • P.O. Box 12328 • Wichita, Kansas 67277 • (316) 942-7411

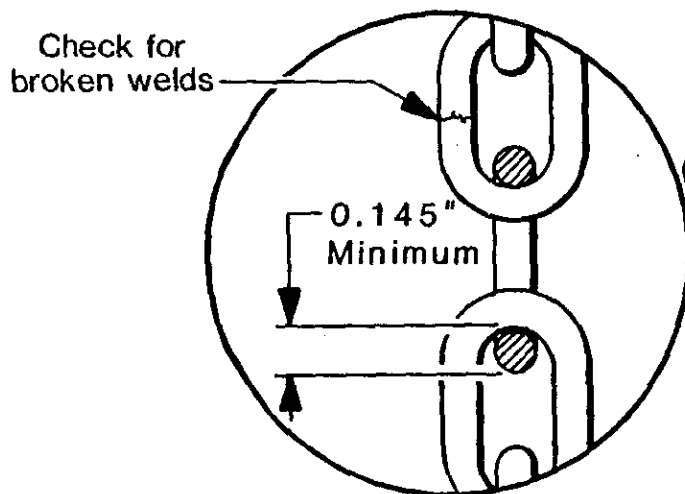
Check the position of the hardware which secures the chains and snap hooks to the adapter plates. The heads of the shoulder bolts must be to the inside of each chair hanger as shown. Contact of the threaded ends of the shoulder bolts can cause damage to the fasteners.



Torque the 1/2-inch shoulder bolts (3/8-16 thread) to 36 lb-ft. Torque the 3/8-inch shoulder bolts (5/16-18 thread) to 17 lb-ft. DO NOT SUBSTITUTE HARDWARE.

4. CHAINS - Carefully inspect all chains for wear, damage or broken welds on links. Measure chain wear on links near the seat as shown. The minimum acceptable dimension is 0.145 inch. If replacement is required, use only 3/16-inch proof coil chain. DO NOT SUBSTITUTE CHAINS. DO NOT SPLICE OR OTHERWISE ATTEMPT TO REPAIR CHAINS.

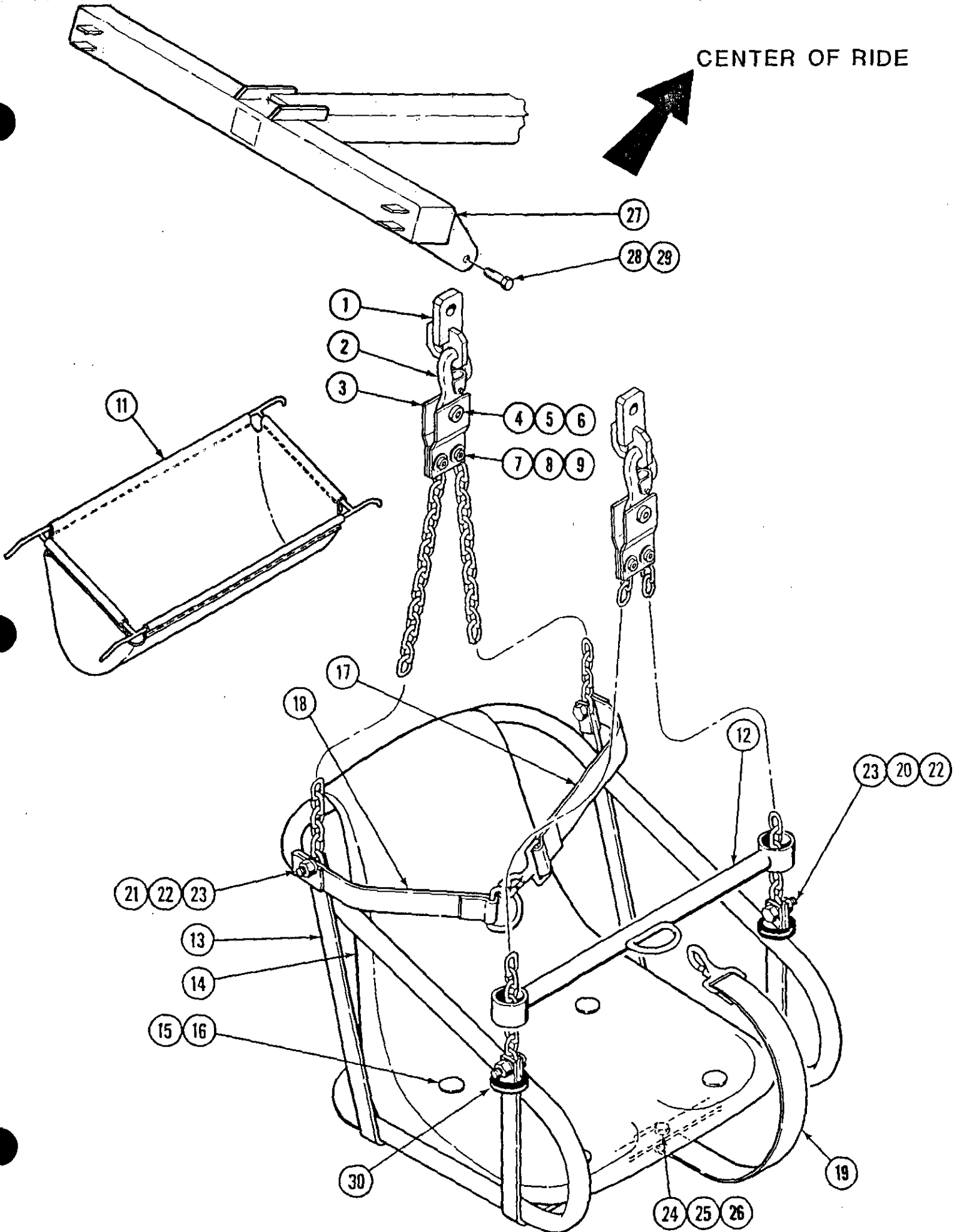
If end links are worn, up to three links can be removed to shorten all four chains by the same amount. ALL FOUR CHAINS FOR EACH SEAT MUST BE THE SAME LENGTH (12 ft. 1-3/8 in. minimum).



5. SEAT ATTACHMENT HARDWARE - Make sure that all bolts point out from seat. Torque the nuts to 13 lb-ft. DO NOT SUBSTITUTE HARDWARE.
6. SEAT AND SEAT FRAME - Check for cracks in the plastic seat. Inspect the seat frame for damage or wear in the area where the lap bar rests.
7. CHEST STRAP, CROTCH STRAP AND LAP BAR - All seats must be equipped with the complete passenger restraint system as shown. Replace any worn, damaged or missing parts.
8. OVERALL INSTALLATION OF CHAINS AND SEATS - All seats must be facing in the same direction - forward in relation to ride rotation. Each seat must be suspended from two chair hangers. DO NOT ATTACH BOTH SNAP HOOKS FOR A SINGLE SEAT TO THE SAME CHAIR HANGER. Snap hooks must be installed in the chair hangers toward the center of the ride as shown. Make sure the chains are not twisted.

If you have any questions or need replacement parts, contact the CHANCE CUSTOMER SERVICE DEPARTMENT.

CENTER OF RIDE



Parts List

| Ref. No. | Part No. | Description | 24 Seats Per Ride Qty. Reqd. Per Seat |
|-------------|-----------|--|--|
| 1 | 361-32706 | *Chair Hanger (376-209-001) | 1 |
| 2 | 290-69296 | Snap Hook | 2 |
| 3 | 361-53843 | **Adapter Plate (376-118-001) | 4 |
| 4 | 690-12267 | Shoulder Bolt - Socket Head (1/2 x 1, 3/8-16 Thd) .. | 2 |
| 5 | 696-85310 | Washer - Flat (3/8) | 2 |
| 6 | 691-48046 | Nut - Flexlock (3/8-16) | 2 |
| 7 | 686-12232 | Shoulder Bolt - Socket Head (3/8 x 1, 5/16-18 Thd) . | 2 |
| 8 | 696-85304 | Washer - Wrought (5/16) | 2 |
| 9 | 691-48044 | Nut - Flexlock (5/16-18) | 2 |
| 10 | 265-15233 | Chain (3/16 Proof Coil x 12 ft. 4 in. long) | 4 |
| 11 | 361-15290 | Chain Bag (376-914-001) | 1 |
| 12 | 361-04043 | Lap Bar Weldment (376-111-001) | 1 |
| 13 | 361-29215 | Seat Frame (376-110-001) | 1 |
| 14 | 361-64993 | Seat (376-113-001) Specify Color: Black, Red, Navy Blue or Sand | 1 |
| 15 | 686-12219 | Carriage Bolt (1/4-20 x 1-1/4) | 4 |
| 16 | 691-47808 | Lock Nut - Full Nylon Insert (1/4-20) | 4 |
| 17 | 261-05443 | Chest Strap (376-114-002) | 1 |
| 18 | 261-05442 | Chest Strap (376-114-001) | 1 |
| 19 | 261-05443 | Crotch Strap (376-114-002) | 1 |
| 20 | 686-12232 | Shoulder Bolt-Socket Head (3/8 x 1, 5/16-18 Thd) ... | 2 |
| 21 | 686-12233 | Shoulder Bolt-Socket Head (3/8 x 1-1/4, 5/16-18 Thd). | 2 |
| 22 | 696-85308 | Washer - Wrought (3/8) | 8 |
| 23 | 691-48044 | Nut - Flexlock (5/16-18) | 4 |
| 24 | 686-07004 | Bolt - Hex Head Capscrew (1/4-20 x 1) | 1 |
| 25 | 696-85300 | Washer - Wrought (1/4) | 1 |
| 26 | 691-47808 | Lock Nut - Full Nylon Insert (1/4-20) | 1 |
| 27 | 365-04068 | Tee Bar With Lights (380-1211-001) | 12/ride |
| 28 | 686-09526 | Bolt - Hex Head Capscrew (3/4-10 x 3-1/4 Grade 5) .. | 24/ride |
| 29 | 691-47836 | Lock Nut - Full Nylon Insert (3/4-10) | 24/ride |
| 30 | 261-85602 | Cushion Ring | 2/seat |

* The chair hanger shown is interchangeable with the chair hangers originally equipped on early production rides.

** Early production rides were equipped with either shackles or cold shuts, which are no longer provided for this application. When replacing these parts, order items 3 through 9 in the quantities specified.



Number: B65-0285-00

Date: 5/25/86

Supersedes:

America's Largest Manufacturer of Amusement Rides

SERVICE BULLETIN

Effective Serial Numbers: ALL UNITS

Ride: ZUMUR

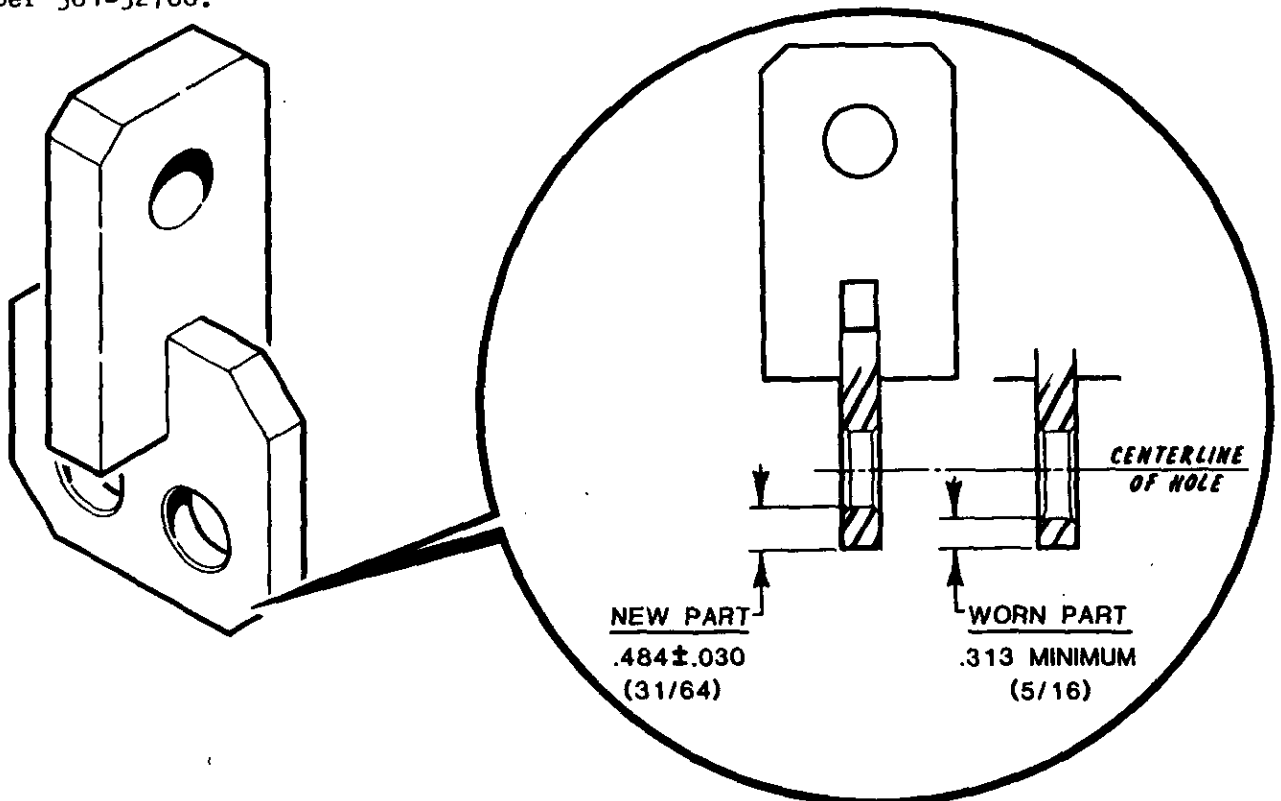
Subject: Chair Hanger Wear Limits

As a safety precaution, CHANCE MANUFACTURING COMPANY, INC. recommends that the following inspection be performed on all ZUMUR amusement rides at every set-up or weekly, whichever occurs first.

The inspection must be performed by competent personnel, capable of understanding the function of the parts and their proper installation.

Measure the edge distance on all chair hangers as shown. If the dimension is less than .313 (5/16"), do not operate the ride until the chair hanger is replaced.

New chair hangers are available from CHANCE MANUFACTURING COMPANY, INC. Order part number 361-32706.



Factory and Sales Office: 4219 Irving • P.O. Box 12328 • Wichita, Kansas 67277 • (316) 942-7411