

~~Superseded by FC 003~~



FARFABBRI S.R.L.

MANUFACTURERS OF AMUSEMENT R

45032 BERGANTINO (Rovigo) Italy
Via Giovecca, 74 - Tel. 0425 / 87420 - 87142
M/710794 - C.C.I.A.A. RO N. 30591 - T.M.E. RO REG. SOC. N. 4028
C.F. e P. P/A 00724000294
TELEX 434839 SPARCO I - TELEFAX 0425-878113

Replaced with FC003

SERVICE BULLETIN

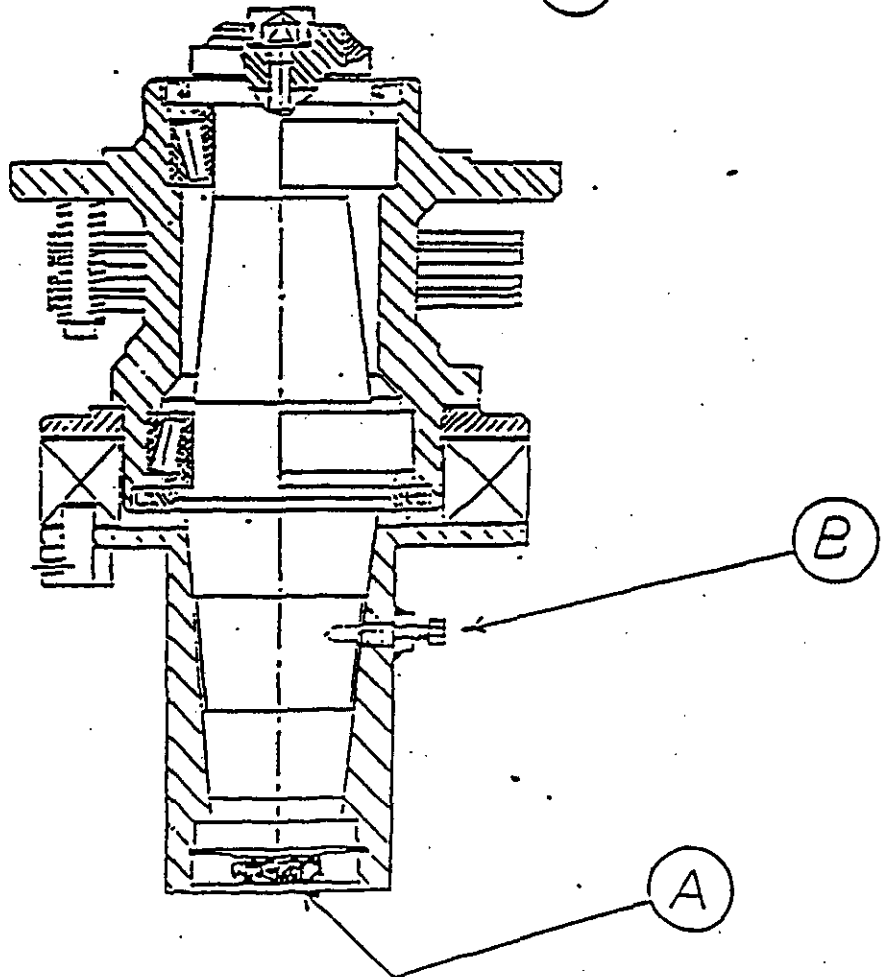
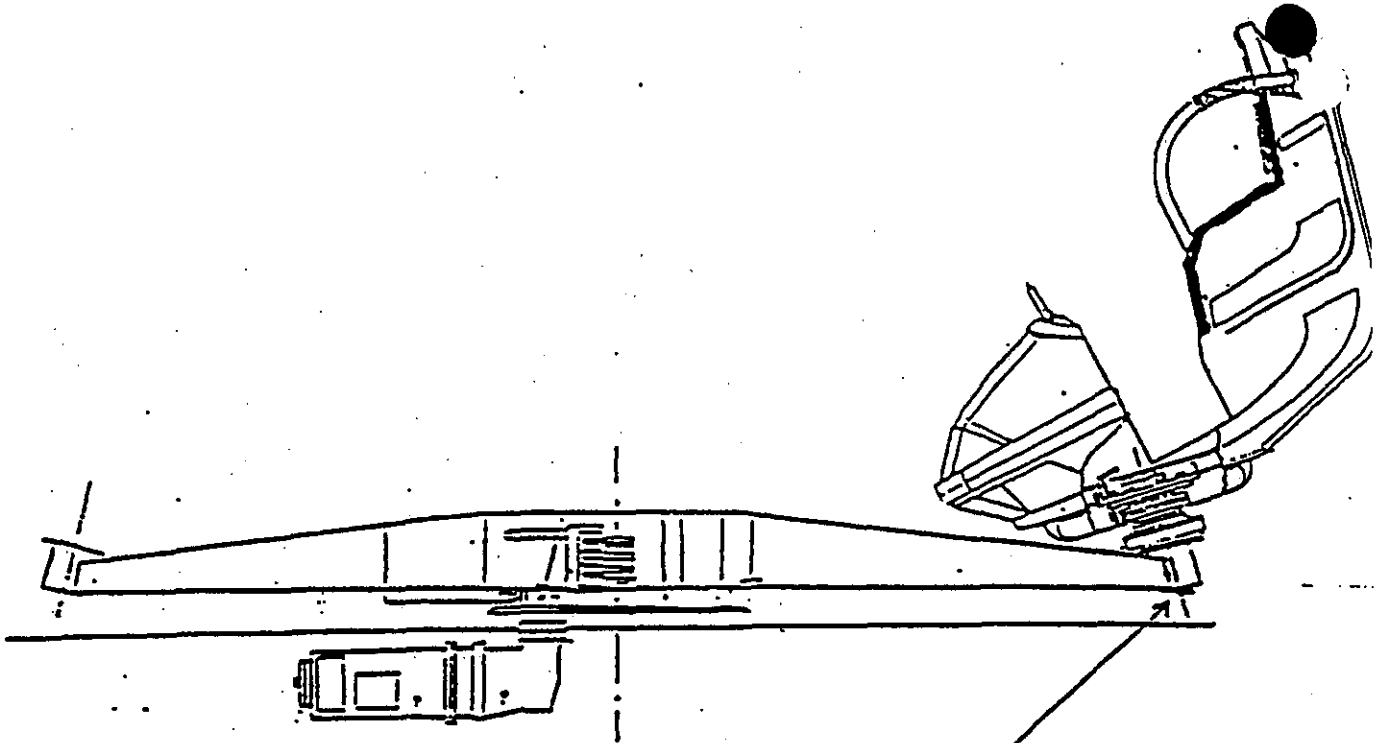
RIDE: CRAZY DANCE DATE: DECEMBER 10, 1990
SUBJECT: VEHICLE SPINDLE BOLTS BULLETIN NUMBER: FC001

It has been determined through investigation that the bolts used to lock the vehicle tapered spindle into its socket on the end of the satellite sweep can loosen over a period of time. The following modification, change in components and maintenance change are now required by the manufacturer, FarFabbri, s.r.l.

1. Existing bolts x lock washers (24 mm x 80 mm x grade 8.8) are to be replaced with 24 mm x 80 mm x grade 10.9 and torqued in place to 700 nm (515 ft. lbs) (refer to Figure A).
2. Install tapered spindle lock bolts (refer to Figure B).
3. Change maintenance procedure to include checking the torque of the bolts on a monthly basis.
4. Replace bolts on an annual basis.

Kits are available for lock bolt and replacement bolts free of charge and can be ordered through Exsaco Corporation, One North Santa Fe Street, Alvarado, Texas 76009, 817-783-2265.

[Handwritten signature]





MANUFACTURERS OF AMUSEMENT RID

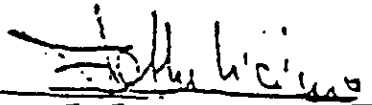
45032 BERGANTINO (Rovigo) Italy
Via Giovecca, 74 - Tel. 0425 / 87420 - 87142
W710794 - C.C.I.A.A. RO N. 90591 - TRIB. RO REG. SOC. N. 4028
C.F. - P. IVA 00724000294
TELEX 434839 SPARCO I - TELEFAX 0425-878113

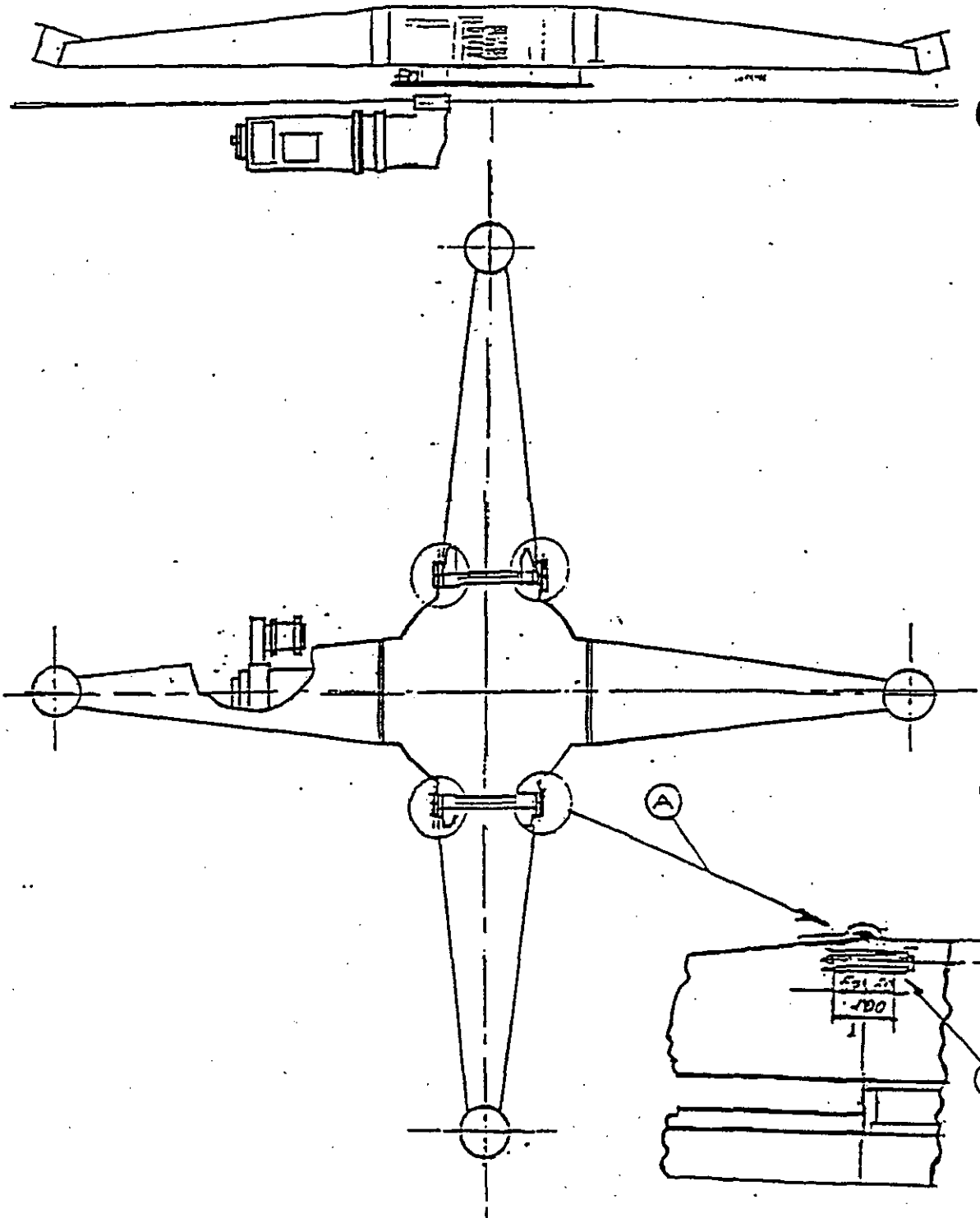
SERVICE BULLETIN

RIDE: CRAZY DANCE DATE: DECEMBER 10, 1990
SUBJECT: DETACHABLE VEHICLE BULLETIN NUMBER: FC002
SWEEP HOOKS

It has been determined by FarFabri, s.r.l. of the necessity to inspect and test by approved non-destructive testing procedures the sweep hooks and welding located in the inside end of the detachable vehicle sweeps (refer to Point A). This inspection must be done on an annual basis. If cracks are detected, consult the factory for proper repair procedures.

Annual testing of this hook weldment can be waved if a new secondary bolting weldment is installed. (refer to Point B). Kits are available through Exsaco Corporation, One North Santa Fe Street, Alvarado, Texas 76009.


FarFabri, s.r.l.



FAB BASHEN
 VLS
 100
 100

[Handwritten signature]



MANUFACTURERS OF AMUSEMENT RIDES

45032 BERGANTINO (Rovigo) Italy
Via Giovecca, 74 - Tel. 0425 / 87420 - 87142
M/710734 - C.C.I.A.A. RO N. 90591 - TRIB. RO REG. SOC. N. 4028
C.F. e P. IVA 0072400 029 4
TELEX 434839 SPARCO I - TELEFAX 0425-878113

SERVICE BULLETIN

RIDE: CRAZY DANCE DATE: March 17, 1993

SUBJECT: Spindle Bolts BULLETIN NUMBER: FC003

This bulletin replaces and nullifies bulletin F010 and FC001.

Background Information

A typographical error has been brought to the attention of FarFabBri, s.r.l. regarding Service Bulletin F010. Service Bulletin F010 only pertains to those rides with serial numbers 009 and lower, and not all rides. The reason is, those rides are equipped with a 22mm spindle bolt. Rides with Serial number 010 or higher are equipped with a 24mm spindle bolt. (Figure A shows the location of this bolt.)

Bulletin Requirements

1. FarFabBri, s.r.l. requires that all spindle bolts be replaced on an annual basis.
2. Use only grade 10.9 bolts.
3. Your monthly maintenance procedure should include checking the torque of these bolts. Refer to the following chart for recommended torque values pertaining to your equipment.
4. All rides should have a factory installed spindle safety bolt (Figure B). If you do not, contact Exsaco Corporation immediately at 1-800-545-0667 or 817-783-2265.

<u>Bolt Size</u>	<u>Untreated</u>	<u>Zinc Plated</u>
22 x 80 mm	430 ft. lb.	400 ft. lb.
24 x 80 mm	550 ft. lb.	515 ft. lb.

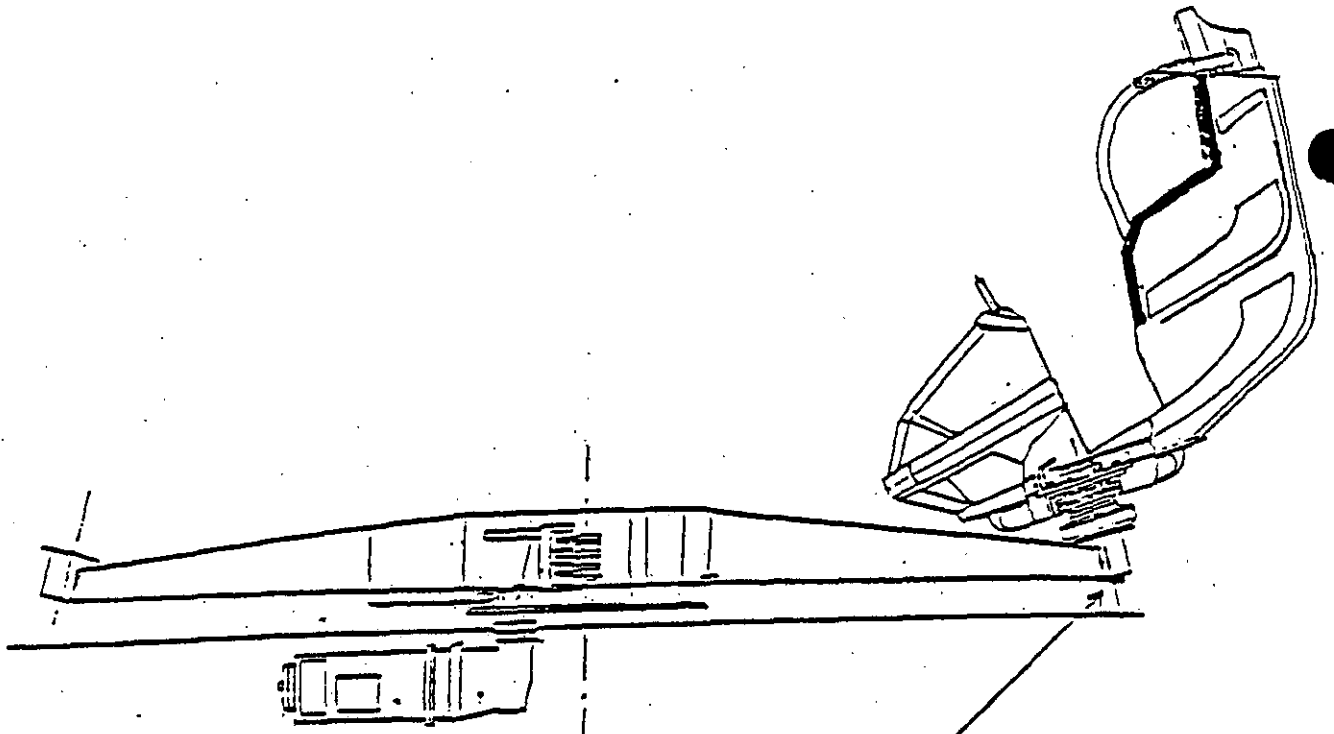
If you should have any questions, or require further information regarding this Service Bulletin, please contact Exsaco Corporation, One North Santa Fe St., Alvarado, Texas 76009, at 1-800-545-0667.

CPSA 6 (b)(1) Cleared

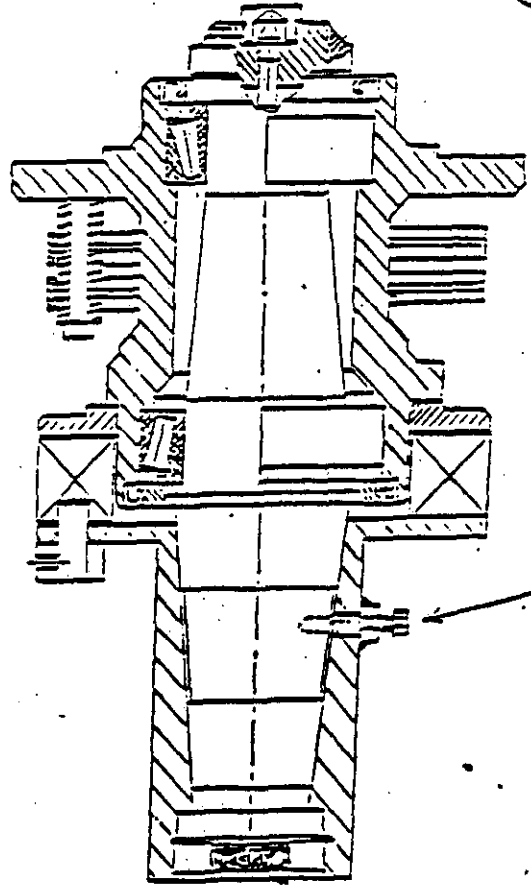
No Mfrs/Privateers be
Products Identified
Excepted by C.A.P.
Firms Notified,
Comments Received

FAR FABBRI S.R.L.
Costruzione Spettacoli Viaggianti
Via Giovecca, 74 - Tel. 0425 / 87142
45032 BERGANTINO (RO)
C.F. e P. IVA: 0072400 029 4

Tollicca



A



B

A



FARFABBRI S.R.L.

MANUFACTURERS OF AMUSEMENT RIDES

45032 BERGANTINO (Rovigo) Italy
Via Giovecca, 74 - Tel. 0425 / 87420 - 87142

M/710794 - C.C.L.A.A. RO N. 90591 - TRIB. RO REG. SOC. N. 4028
C.F. e P. IVA 0072400 029 4

TELEX 434839 SPARCO I - TELEFAX 0425-878113

SERVICE BULLETIN

RIDE: CRAZY DANCE

DATE: April 9, 1993

SUBJECT: Car Spindle Case Weld

BULLETIN NUMBER: FC004


SERIAL NUMBERS: 17 AND LOWER

An incident occurred where the car spindle case separated from the sweep. This incident was directly related to an insufficient weld application. Through further inspections of the remaining rides, it was determined to be an isolated case. Refer to Drawing A for the location of possible cracks.

We are currently preparing a reinforcement kit to be welded on the sweep in place of the old strap. A factory representative will notify you when the kit is ready and will come to your location to install this kit.

In the meantime, you are required to visually inspect the suspect area each day before opening the ride to the public. If any cracks are detected, contact Exsaco Corporation at 1-800-545-0667 or 817-783-2265 immediately.

FAR FABBRI s.r.l.
Costruzione Spettacoli Viaggianti
Via Giovecca, 74 - Tel. 0425 / 87142
45032 BERGANTINO (RO)
C.Fisc. e P. IVA 0072400 029 4

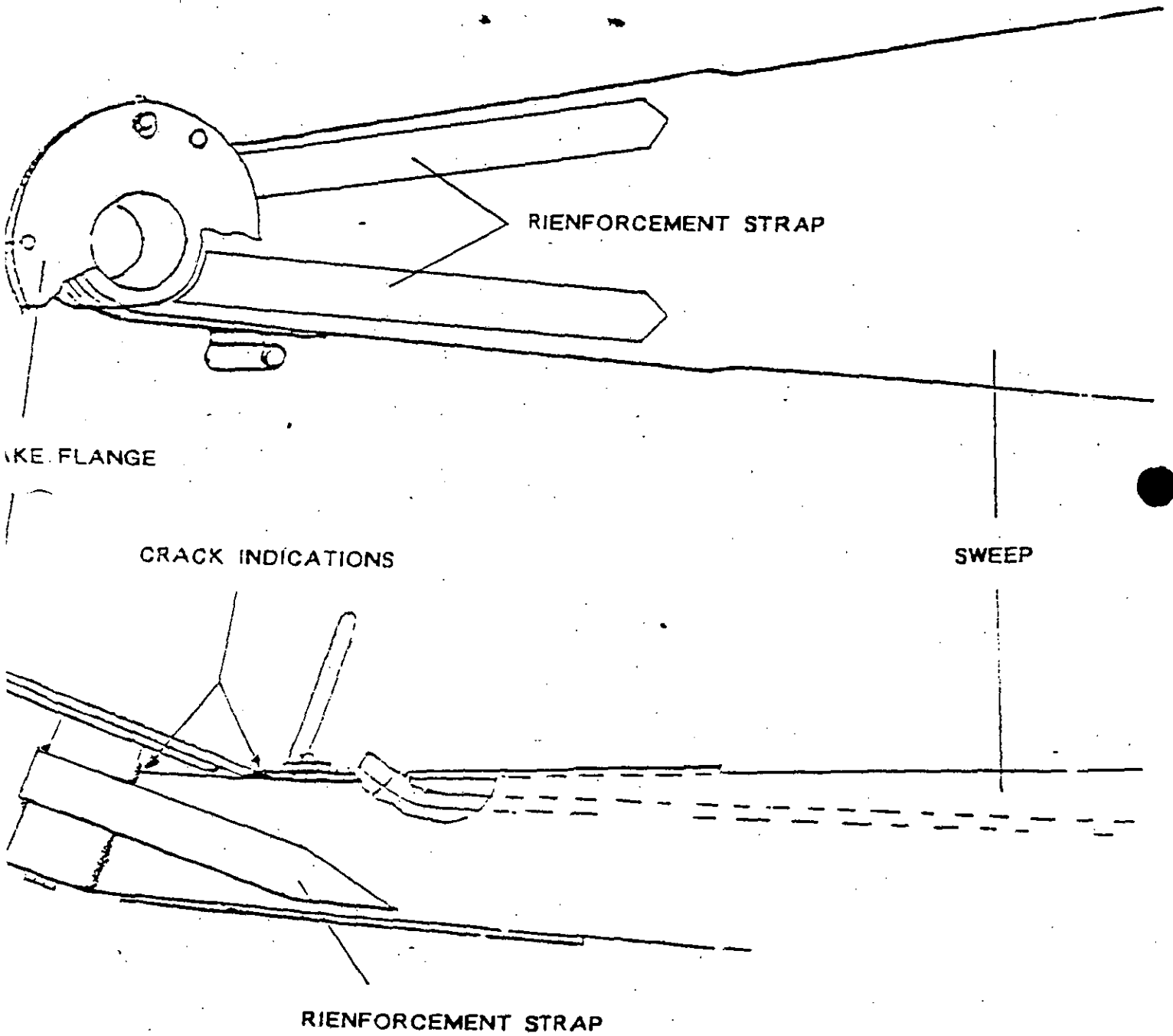


FarFabri, s.r.l.

CPSA 6 (b)(1) Cleared *8/4/93*

No Mfrs/Private Labels or
Products Identified
 Excepted by C.A.P.
 Firms Notified,
Comments Processed.

DRAWING A





FARFABBRI s.r.l.

MANUFACTURERS OF AMUSEMENT RIDE

45032 BERGANTINO (Rovigo) Italy
Via Giovecca, 74 - Tel. 0425 / 87420 - 87142

M710794 - C.C.I.A.A. NO N. 20391 - TRIB. NO REG. SOC. N. 4028
C.F. e P. IVA 00724000284

TELEX 434839 SPARCO I - TELEFAX 0425-878113

IMPORTANT SAFETY BULLETIN

RIDE: CRAZY DANCE

DATE: May 24, 1993

SUBJECT: Car Spindle Case Weld

BULLETIN NUMBER: FC004A

SERIAL NUMBERS: 17 AND LOWER

This bulletin is meant to provide further explanation for Bulletin Number FC004.

An incident occurred where the car spindle case separated from the sweep. This incident was directly related to an insufficient weld application. Through further inspections of the remaining rides, it was determined to be an isolated case. Refer to Drawing A for the location of possible cracks.

We are currently preparing a reinforcement kit to be welded on the sweep in place of the old strap. A factory representative will notify you when the kit is ready and will come to your location to install this kit.

In cooperation with the U.S. Consumer Safety Product Commission, and until the reinforcement kits are installed, FarFabri, s.r.l. requires a visual inspection of all welds in the suspect area each day before opening the ride to the public. If any cracks are detected, contact Exsaco Corporation at 1-800-545-0667 or 817-783-2265
IMMEDIATELY.

FAR FABBRI s.r.l.
Costruzione Spettacoli Viaggianti
Via Giovecca, 74 - Tel. 0425 / 87142
45032 BERGANTINO (RO)
C.F. e P. IVA 00724000284

FarFabri, s.r.l.



FARFABRI S.R.L.

MANUFACTURERS OF AMUSEMENT R

45032 BERGANTINO (Rovigo) Italy
Via Giovecca, 74 - Tel. 0425 / 87420 - 87142
M710794 - C.E.L.A.A. NO. N. 90391 - T.V.E. NO. REG. SOC. N. 4038
C.F. e P. IVA 00724000234
TELEX 434839 SPARCO I - TELEFAX 0425-378113

MAINTENANCE PROCEDURE UPDATE

RIDE: Crazy Dance
SUBJECT: Car/Hub Bolts

SERIAL NUMBERS: ALL
DATE: May 24, 1993

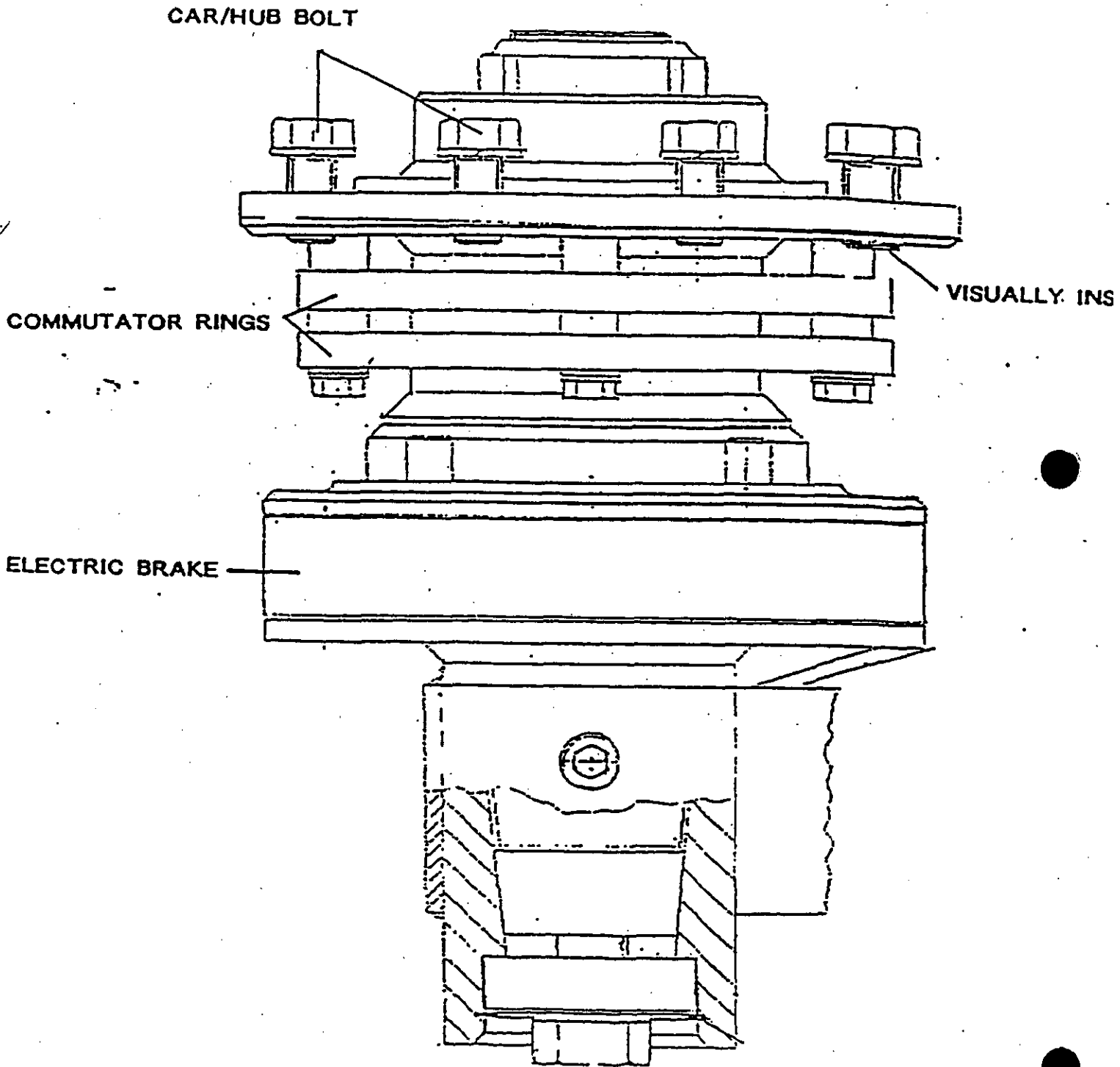
Background Information

An incident occurred where the car/hub bolts vibrated loose even though lock washers were in place. This allowed the car flange to move and deform the threads in the hub. Eventually, all the bolts stripped out and the car landed on the platform. Luckily, no one was injured.

Maintenance Procedure Update (Refer to Drawing)

1. Replace lock washers with hardened flat washers.
2. Rather than inspecting those bolts annually, FarFabri, s.r.l. requires a weekly visual inspection and a monthly torque check. Refer to the following chart for torque requirements on those bolts.

<u>Bolt Size</u>	<u>Status</u>	<u>Torque</u>
16mm x 30, grade 8.8	Original Bolt	150 ft. lbs.
18mm x 30, grade 8.8	Replacement Bolt	190 ft. lbs.



For Fabbri

Crazy Dance



Preston Amusements

RECEIVED

FACSIMILE TRANSMISSION COVER SHEET OCT 27 1993

BUREAU OF
FAIR RIDES INSPECTION

Date: 10-26-93

To: ROY SAFFORD

Fax Number: 904-488-9023

From: Buck Tate
Preston Amusements

Fax Number: 817-783-3358

There will be a total of 4 pages including this cover sheet. If you do not receive all pages, or they are not legible, please call 817-783-2265 or fax 817-783-3358.

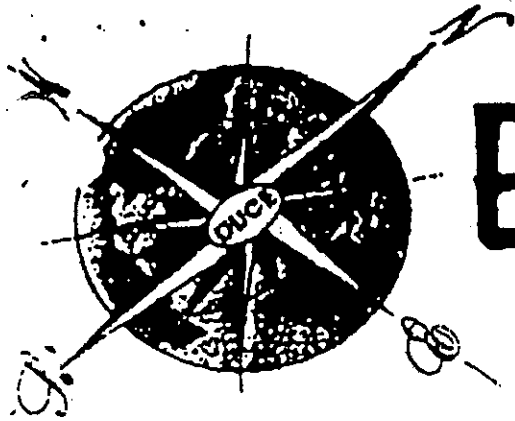
Following are the drawings for the reinforcement kits on the two Crazy Dance Rides. (Bluegrass and Cumberland Valley Shows).

Best Regards
Buck

By the way, Preston Amusements is now the rep. for FAR Fabbri. Exsaco sold all of its accets and sales rights to Preston.

Thanks.

*called 11-3-93
RTS not available yet
2 more copies for BG
add for copy? Komer*



Exsaco Corporation

P.O. Drawer 328 • One North Santa Fe Street • Alvarado, Texas 76009
Telephone: (817) 783-2265 • Fax: (817) 783-3358

September 2, 1993

Re: Service Bulletin FC004

To Whom It May Concern:

This bulletin refers to a reinforcement kit to be fabricated and sent to those owners of Crazy Dance amusement rides which require this modification.

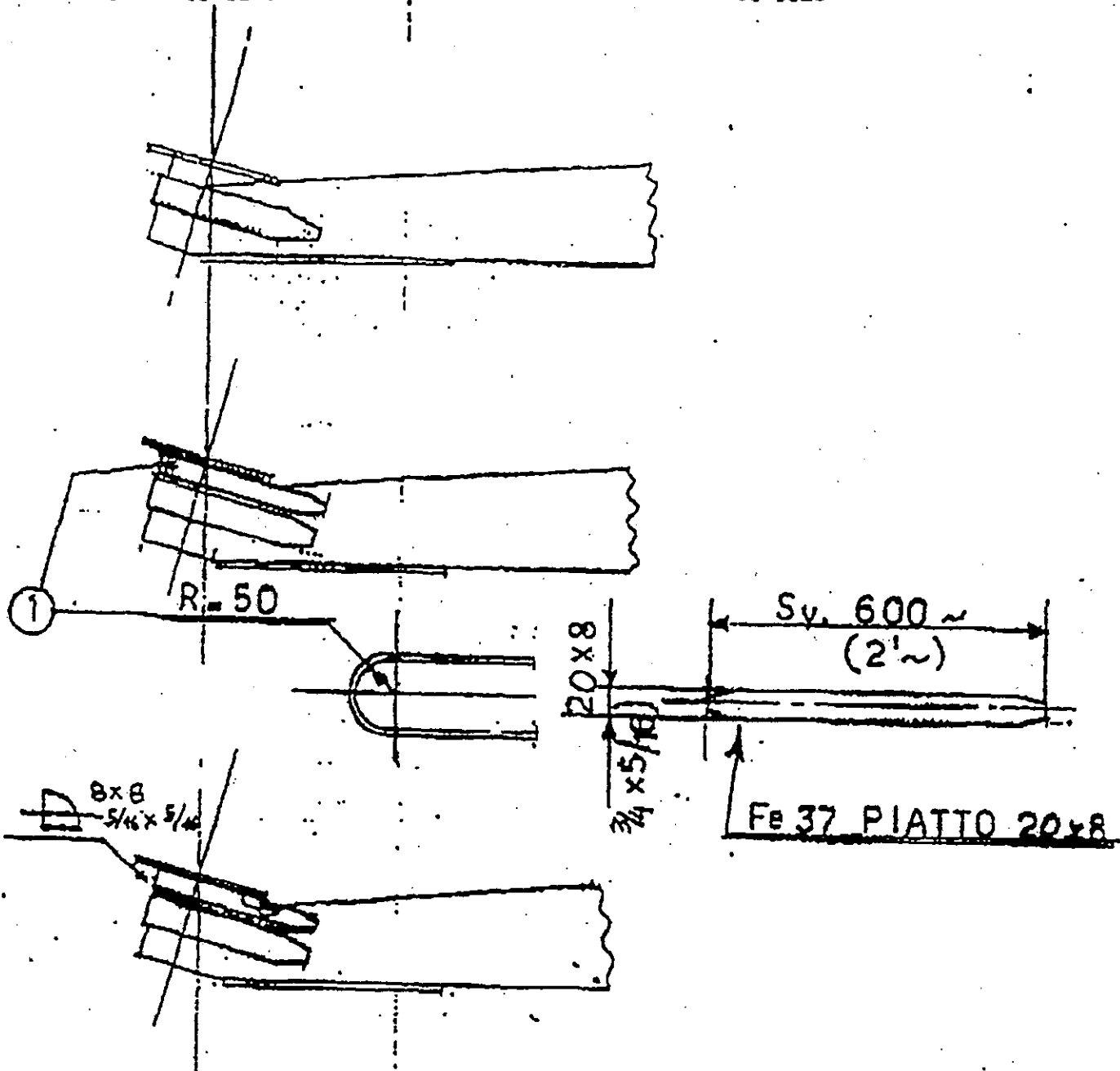
The materials for this reinforcement kit will be sent to your winter quarters address and must be installed no later than December 30, 1993.

The kits must be installed by a qualified welder in accordance with the instructions provided. A factory representative can come to your location for the installation. Air fare and travel expenses portal to portal would be the customer's expense.

For further explanation, contact Exsaco Corporation, P.O. Box 328, Alvarado, Texas 76009, 817-783-2265 or by fax at 817-783-3358.

Sincerely yours,

EXSACO CORPORATION

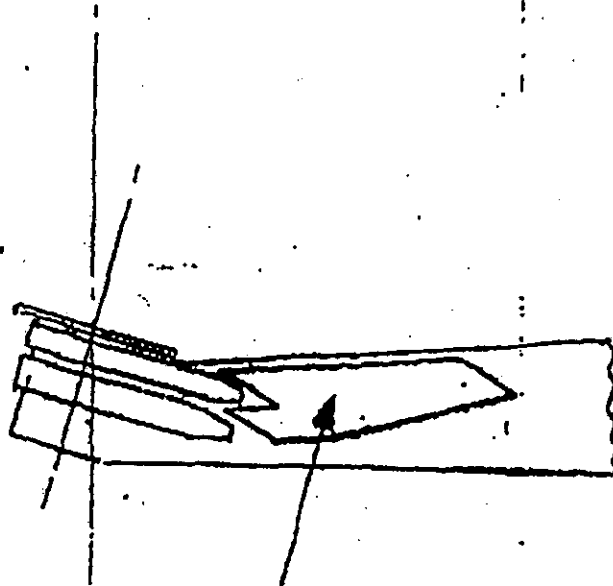


D. O. ... of MECH. ...

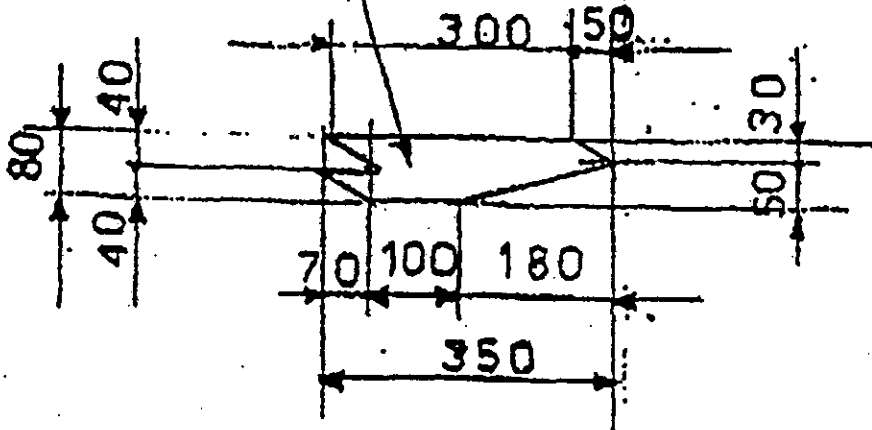
FAB FABRI s.r.l.
 Costruzione Spettacoli Viaggianti
 20122 - 20123 - 20124 - 20125 - via Giovecca 74
 Tel. 0425-804000 - Fax 0425-805113
 Codice Fiscale e Part. IVA 00724000294

Da

Da



① MAT. Fe37 PIATTO 80X6



FAR FABBRI s.r.l.

Costruzione Impietacoli Viaggianti

20091-05010 (MI) RO - via Giovecca 74

tel. 0423-801125 - telex 310000 - fax 0423-805113

Codice fiscale Part. IVA 00724000294