



Issuing Entity:  
Larson International Inc.  
P.O. Box 638  
Plainview, TX 79073-0638  
U.S.A.  
Phone 806-293-1353  
Fax 806-293-5215  
www.larsonintl.com

Bulletin No.: L03-001  
Release Date: 02/24/03  
Effective Date: Immediately  
Supercedes: N/A  
Completion Date: 03/31/03  
Page: 1 of 4

# SERVICE BULLETIN

Ride Manufacturer: Larson International, Inc. Affected Production Dates: All  
Ride Name: Ring of Fire & Fire Ball Affected Serial Nos.: All units

Ride Manufacturer: Hi Roller Company Affected Production Dates: All  
Ride Name: Ring of Fire Affected Serial Nos.: All units

Ride Manufacturer: LMC, Inc. Affected Production Dates: All  
Ride Name: Super Loops Affected Serial Nos.: All units

#### Abstract Of Issue:

Addition of a positive lock to secure the train in an inverted position in order to increase safety during the inspection process.

#### Reason for Release:

In order to properly inspect and maintain the ride, the train needs to be stopped in an inverted position. Movement of the train during inspection may result in serious injury or death. This method to positively lock the train increases safety during required inspection and maintenance.

#### Action To Be Taken:

Add inverted positive lock.

Larson International, Inc. requires that the following procedure be completed within 60 days from the date of this release.

Components for this inverted positive lock may be purchased from Larson International, Inc. or may be manufactured by the owner/operator in compliance with the following drawing specifications.

Larson International Inc. issues notifications for the benefit of owners of amusement rides manufactured by Larson International, Inc. As a service to the industry, and in the interest of employee and public safety, Larson International, Inc. also issues notifications for the benefit of owners of amusement ride equipment for which the manufacturer no longer exists such as LMC, Inc. and Hi-Roller Company. In doing so, Larson International, Inc. does not assume liability for losses associated with amusement ride equipment built by manufacturers other than Larson International, Inc.

A certified welder must complete all welds.

**Caution:** Inertia section contains 1/2 quart of oil. Welder must be aware of this condition.

**Caution:** Ensure inverted train is centered at top of track and secured, such as with chains, before attempting this procedure.

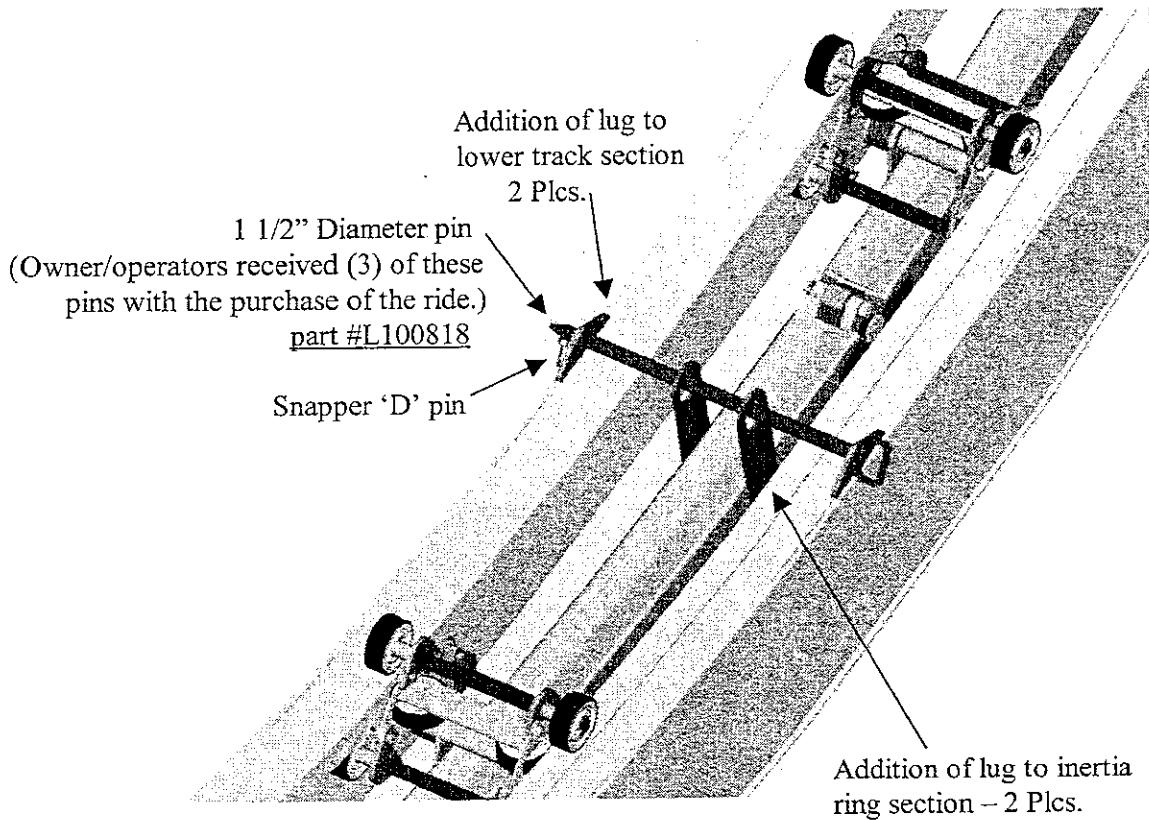
See Detail of Issue below.

---

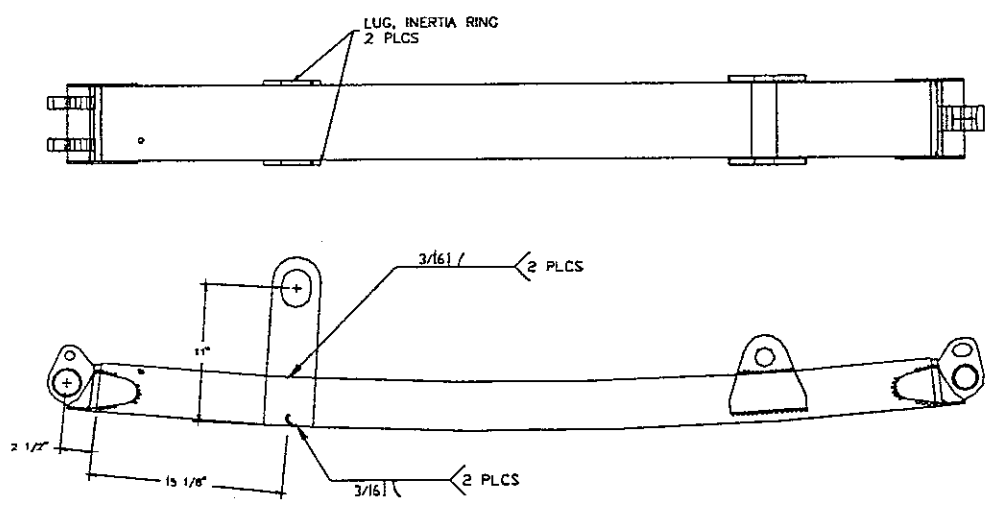
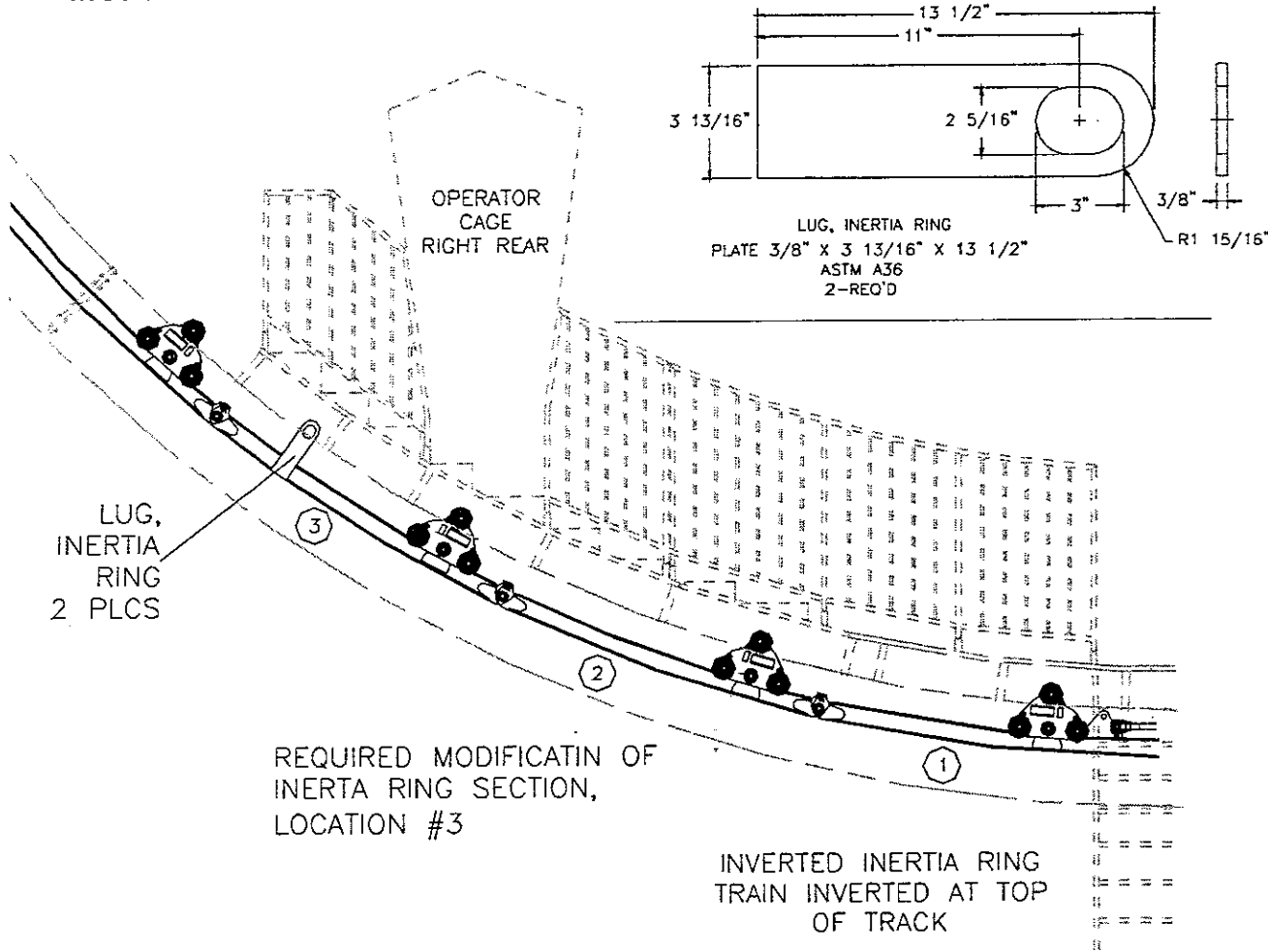
Detail Of Issue:

(Text/Drawings/Schematics)

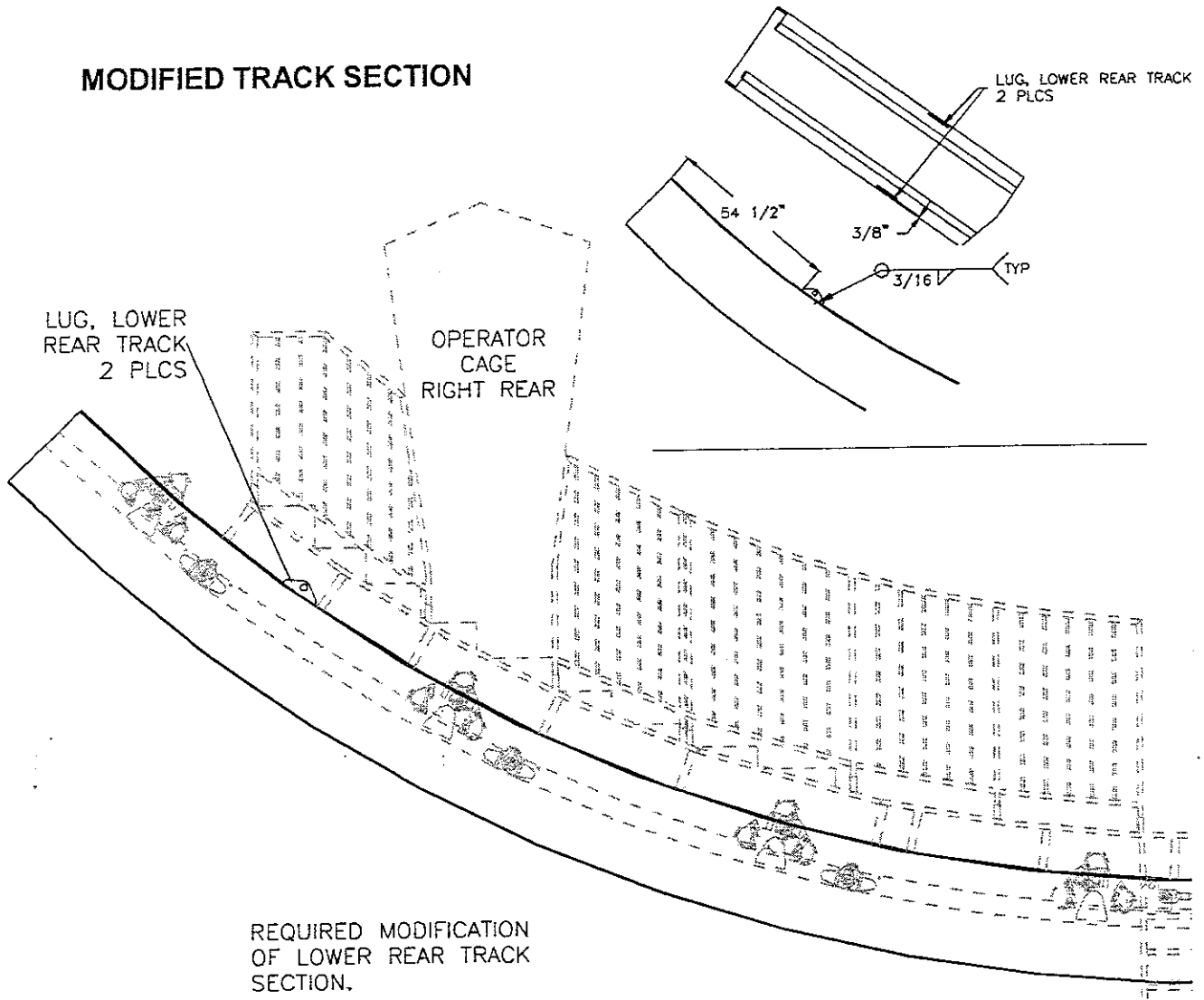
## RENDERING



# MODIFIED INERTIA SECTION



# MODIFIED TRACK SECTION



LUG, LOWER REAR TRACK  
PLATE 1/2" X 3" X 7 1/2"  
ASTM A36  
2-REQ'D

