

SERVICE BULLETIN

To
Fax
Company
Subject **Service Bulletin 2007**
Sent **9/1/2000 at 4:46:02 PM**

From **Kurt Blatt**
Fax **732-942-1114**
Voice **732-942-9898**
Pages **1 (including cover)**

MESSAGE:

Service Bulletin # 2007

Date: August 31, 2000

To all MaxFlight Operators

Affected Units: All Machines equipped with Hydraulic Restraints.

Affected Item: Hydraulic Actuator rod end.

If your machine is equipped with Hydraulic Restraints ether as original equipment or as an in field upgrade.

1. Check that the upper rod end is secured with Blue Loctite
2. If not secure it using Blue Loctite
3. Add to your daily checklist to inspect that the rod ends are secured to the rod. This is an easy inspection. Any visible thread will indicate that the end is not staying secure and will require immediate attention.

Note: DO NOT use pliers on the rod. Damage to the rod will cause the seal to fail and allowing oil to escape the closed system.

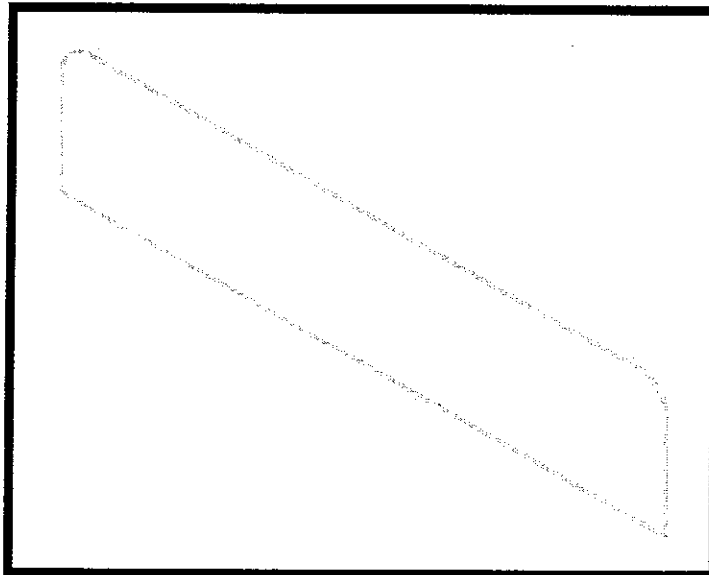
IMPORTANT!

Please CONFIRM RECEIPT of this Service Bulletin by faxing this cover page with your signature to MaxFlight Corporation at +1 (732) 942-1114 within 2 days.

Signature (confirming receipt)

URGENT

HAIR GUARD



MOSER RIDES SRL

VIA ABETONE BRENNERO, 46035 OSTIGLIA
PH++39 386 800001 - FAX ++39 386 802099
EMAIL moser@moserrides.com

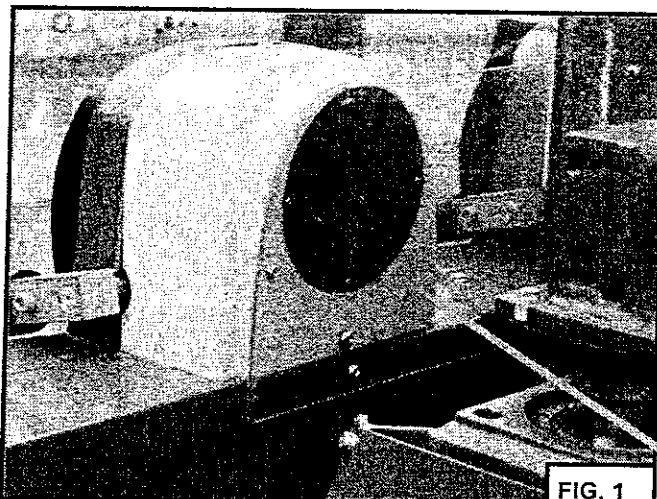


FIG. 1

HAIR GUARD

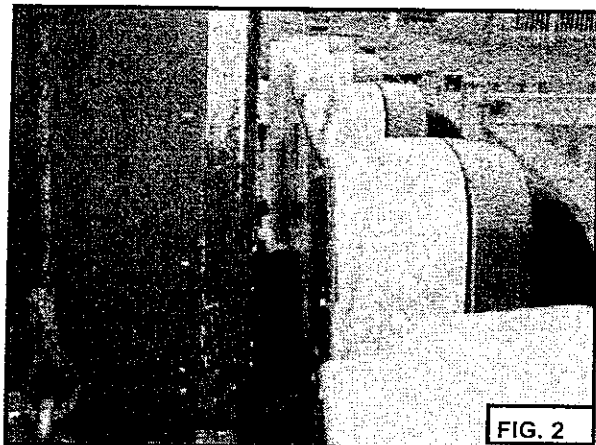


FIG. 2

POSIZIONARE IL
PROTEGGI CAPEL-
LI SULLA VETTURA
(VEDI FIG.1,FIG. 2 E
FIG. 3)

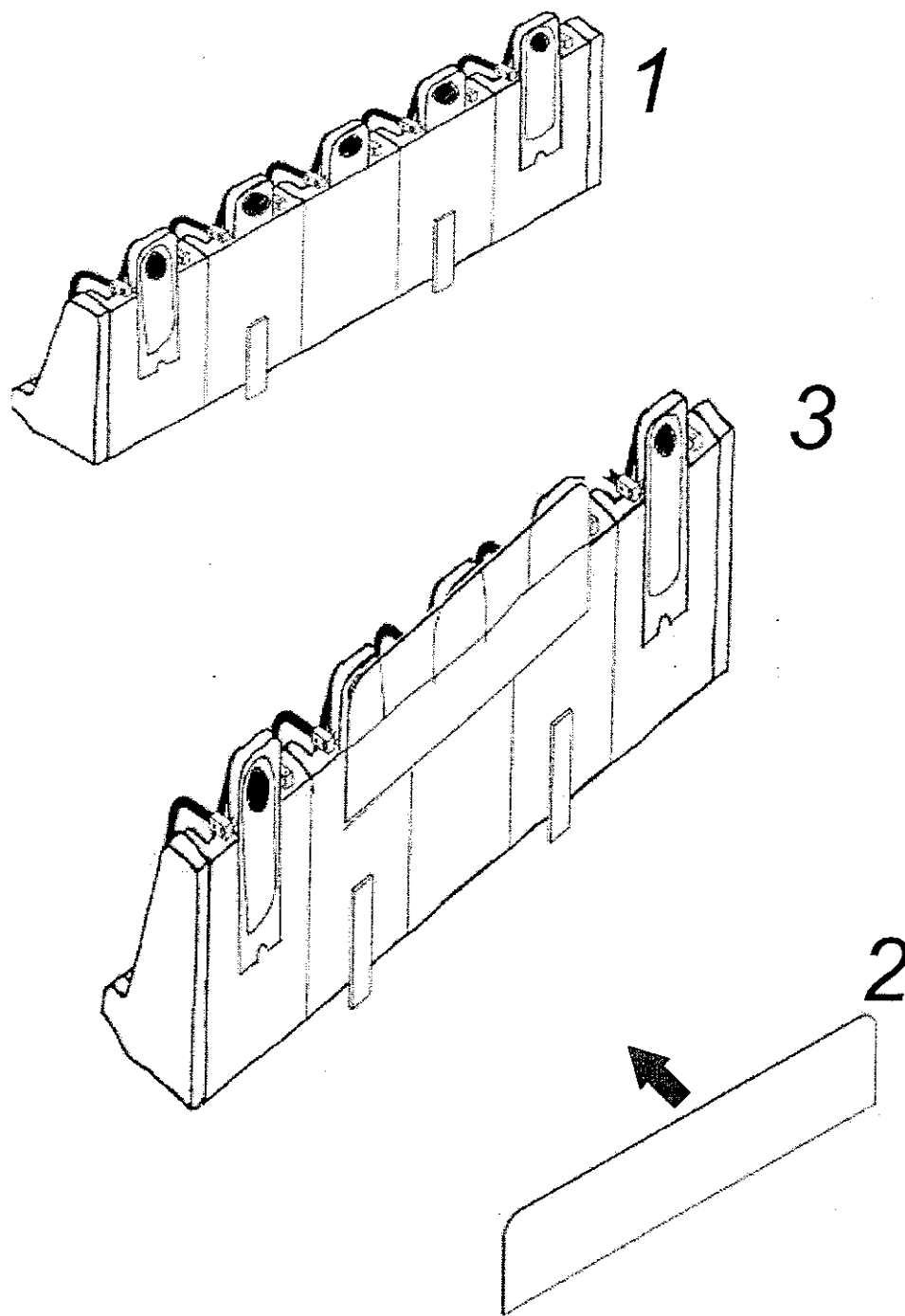
TO POSITION THE
HAIR GUARD ON
THE GONDOLA
(REF. TO FIG. 1,FIG.
2 AND FIG. 3)



FIG. 3

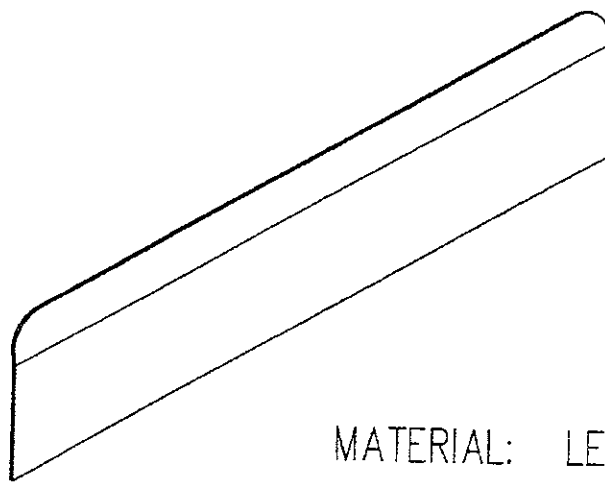
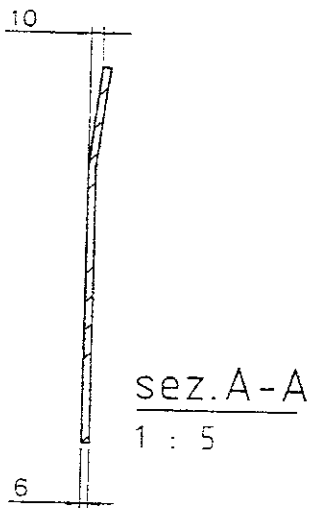
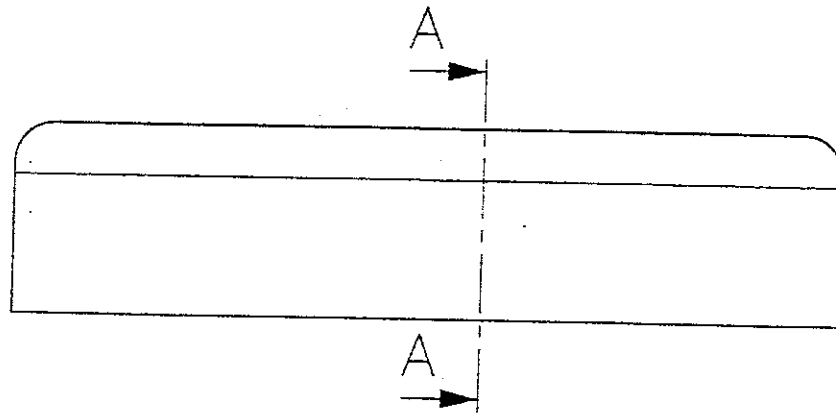
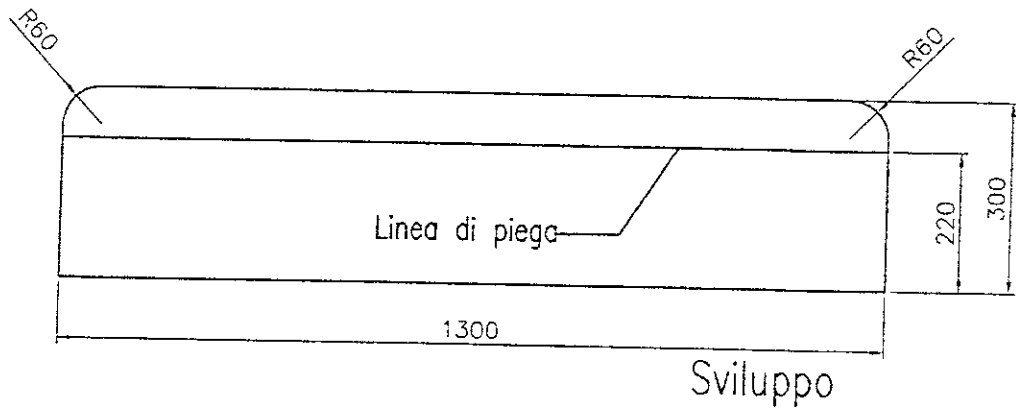
MOSER RIDES SRL

VIA ABETONE BRENNERO, 46035 OSTIGLIA
PH++39 386 800001 - FAX ++39 386 802099
EMAIL moser@moserrides.com



MOSER RIDES SRL

VIA ABETONE BRENNERO, 46035 OSTIGLIA
PH++39 386 800001 - FAX ++39 386 802099
EMAIL moser@moserrides.com



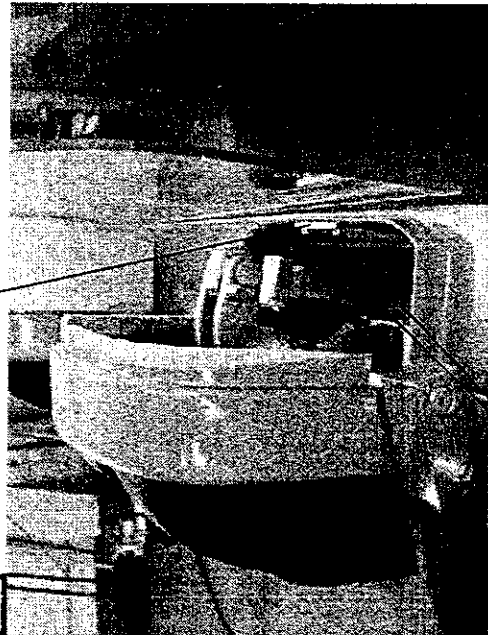
MATERIAL: LEXAN

MOSER RIDES SRL
VIA ABETONE BRENNERO, 46035 OSTIGLIA
PH++39 386 800001 - FAX ++39 386 802099
EMAIL moser@moserrides.com

INSTALLATION

1

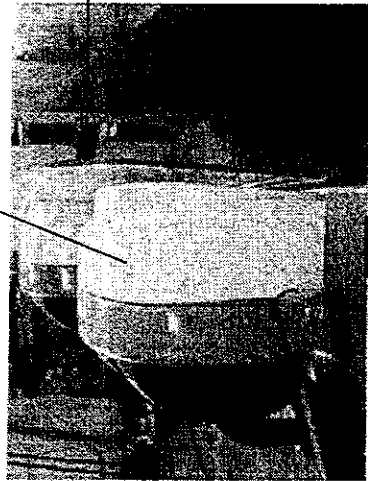
PLATE 58X15 SP. 5



HEAD REST

RIVET 4,8X20 (N°2 PCS.)

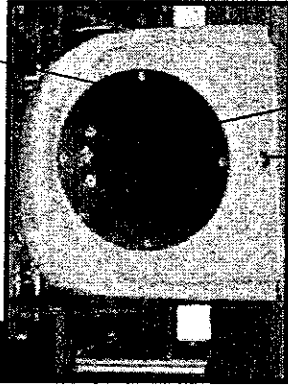
2



HEAD REST

PLATE 58X15 SP. 5

3



HAIR GUARD IN LEXAN

DISK IN STAINLESS STEEL

SCREW AISI A2 M 6X14 DIN 7985
UNI 7687 (N° 2 PCS.)

RIVET 4,8X20 (N° 2 PCS.)