



RIBLET

TRAMWAY COMPANY, INC.

P.O. Box 3523 Spokane, Washington 99220-3523 USA

Phone (509) 483-8555

Fax (509) 483-1996

March 7, 1996

Service Bulletin #1996-133

Applicability: Operators of Riblet chairlifts using "flat plate" tower flanges. Generally, this includes all Riblet chairlifts manufactured 1972-1979 inclusive, plus towers added to other lifts as modifications.

Subject: Inspection of flanges and welds.

Compliance: Immediate Action Required; initial inspection within 2 weeks of receipt of this bulletin or sooner if required by your Authority Having Jurisdiction.

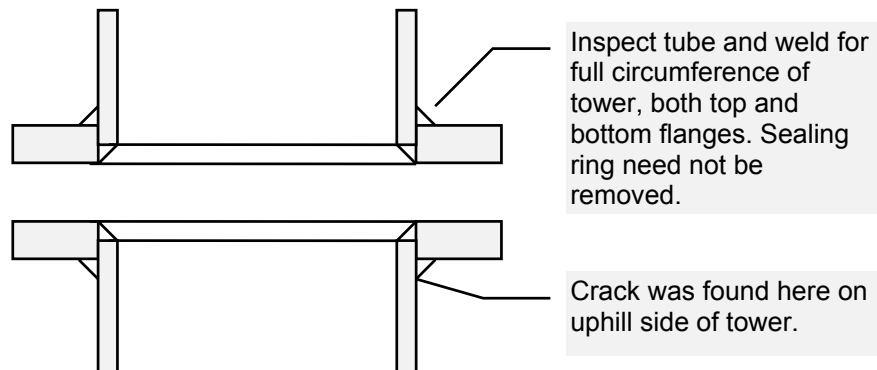
Gentlemen:

A tower on a lift built in 1975 using the "flat plate" tower flanges has failed. The tower base tube broke just below the lower flange. Evidence indicates that a crack existed for several years, but could be seen only if an inspector was specifically looking for it. Investigation of the cause of the crack is ongoing. To help to prevent any similar incidents, and to gather data to determine whether a widespread problem exists, we request that you perform a visual inspection of each "flat plate" tower and base flange, using a flashlight and mirror as required. The sketch below shows the areas to inspect.

Please report inspections to the Riblet engineering department, preferably by fax. Include ski area name, lift designation (include our E.O. No. if possible), number of towers inspected, and results. If any cracks are found, call our engineering department immediately. Based upon the results of this inspection, we expect to issue a follow-up bulletin later this spring.

Flanges which are not subject to this inspection are:

- Flanges on towers shorter than 20 feet from flange to rope.
- Flanges used in terminal structures.
- Flanges encased in concrete.
- Newer, "cast" flanges (generally those furnished beginning in 1980).



Section View of Tower Base Flanges
(Bolts not shown)

Thank you for your assistance.

Riblet Tramway Company, Inc.