



Sellner Manufacturing Company
515 Fowler Street
Faribault, Minnesota 55021
Phone: 507-334-5584
Fax: 507-334-0503
Email: sellner@whirlin.com

Bulletin No.: TS-01
Release Date: Nov 1, 2005
Effective Date: Immediately
Supercedes: None
Completion Date: Dec 2005
Page: 1 of 1

SERVICE BULLETIN

Ride Manufacturer: Sellner Manufacturing Company
Ride Name: Jalopy Junction, Rocktown
Model Number: 560XXX-XX

Affected Production Dates: All
Affected Serial No's:
All Track Series Rides

Abstract Of Issue: Vehicle Wheel Wear Limits

Reason for Release:

Sellner Manufacturing Company did not put a provision of wheel wear limits in its Service Manual. This Service Bulletin will provide that provision. If the wheel dimension is less than the minimum value, the guide wheel pin may potentially come into contact with the track ties. Sellner Manufacturing will have the wheel wear limit provision in the next revision of the Service Manual.

Action To Be Taken

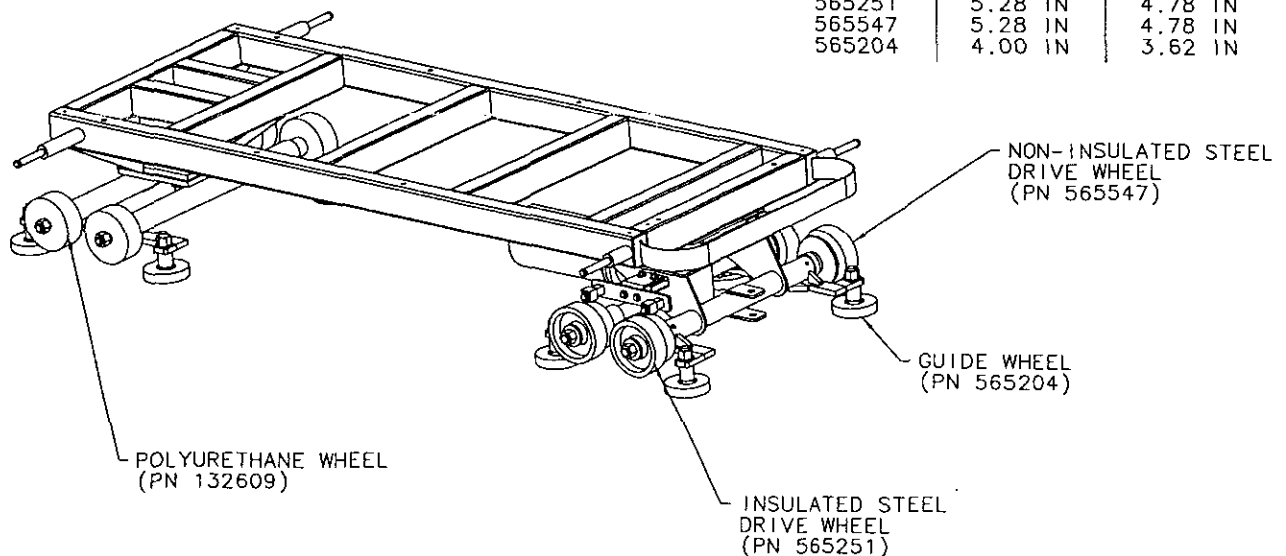
All vehicle wheels should be checked for tolerance annually. Three measurements should be taken for each wheel: both ends and the center. The smallest value shall be used for the wheel diameter. If the measured value of the wheel is less than the dimension listed below, the wheel should be replaced. The owner/operator should inform, and make readily accessible to, all employees who set-up, operate, teardown, or maintain this ride of this bulletin.

The minimum diameter for the polyurethane wheels (part number 132609) is 4.50 inches. (24 per ride)
The minimum diameter for the steel drive insulated wheels (part number 565251) is 4.78 inches (4 per ride)
The minimum diameter for the steel drive non-insulated wheels (part number 565547) is 4.78 inches. (4 per ride)
The minimum diameter for the guide wheels (part number 565204) is 3.62 inches. (32 per ride)

Detail Drawing:

VIEW OF DRIVE VEHICLE SHOWING LOCATIONS OF WHEELS

WHEEL PART NO	DIAMETER NEW	MINIMUM DIAMETER
132609	5.00 IN	4.50 IN
565251	5.28 IN	4.78 IN
565547	5.28 IN	4.78 IN
565204	4.00 IN	3.62 IN



NOTE: FIBERGLASS SHELL HAS BEEN REMOVED FOR CLARITY.