

01-13

ZAMPERLA INC. 49 Fanny Road Parsippany, New Jersey 07054-0598 USA Phone: 973 334 8133 Fax: 973 334 6880	Bulletin No: 2001LS1
	Release Date: September 17, 2001
	Effective Date: September 17, 2001
	Supersedes:
	Completion Date: As soon as possible
Page: 1 of 2	

## SERVICE BULLETIN

Ride Manufacturer: Zamperla SPA	Affected Production Dates: All
Ride Name: Lolli Swing	Affected Serial Nos.: All
Model Number: Lolli Swing	

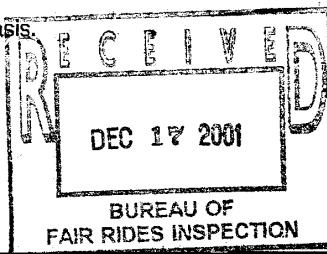
Abstract Of Issue:  
Cracks have been found in the tubing of the sweep arm.

Reason For Release:  
Same

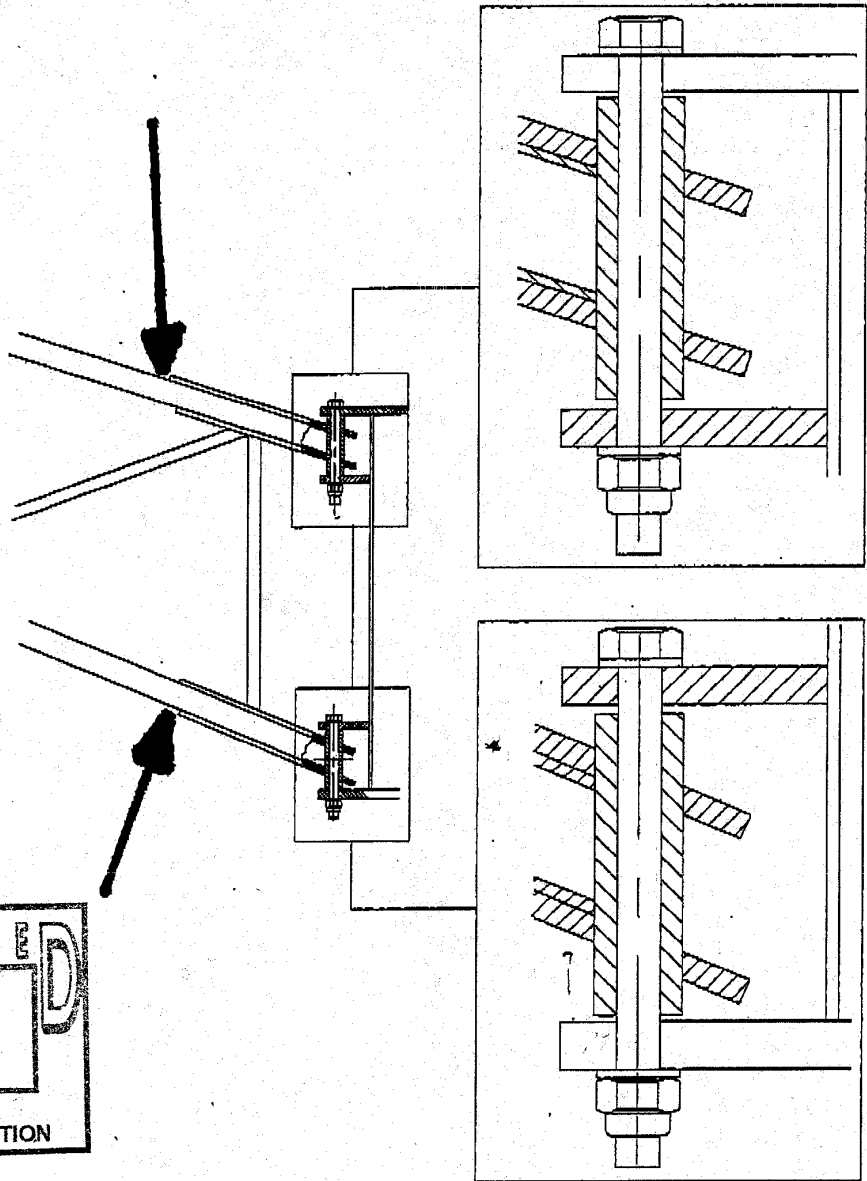
Action To Be Taken:  
Visually inspect the area indicated on the attached diagram. If there is evidence of cracks, shut ride down and contact Zamperla for repair procedure.

Detail Of Issue:  
Diagram page # 2

Future Action To Be Taken:  
Inspect this area on a monthly basis.



<b>CAPRIATE TRUSSES</b>	Daily	Weekly	Monthly	Quarterly	Six months	Annually
Verificare che il bullone sia chiuso correttamente Check that the bolt is correctly closed				●		



RECEIVED  
 EC 17 2001  
 BUREAU OF  
 RIDES INSPECTION